

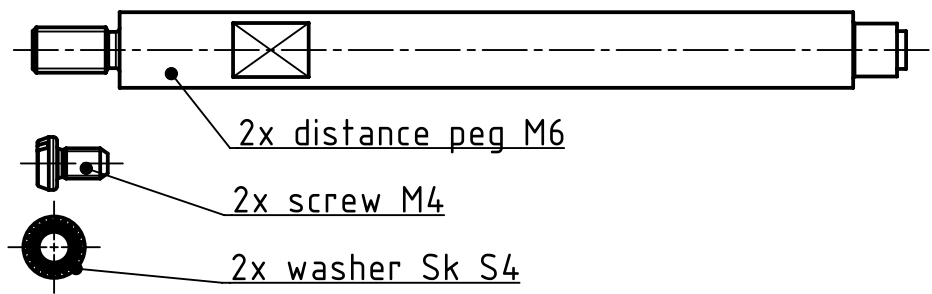
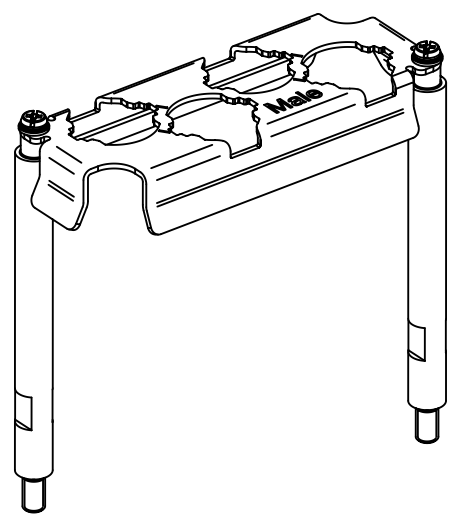
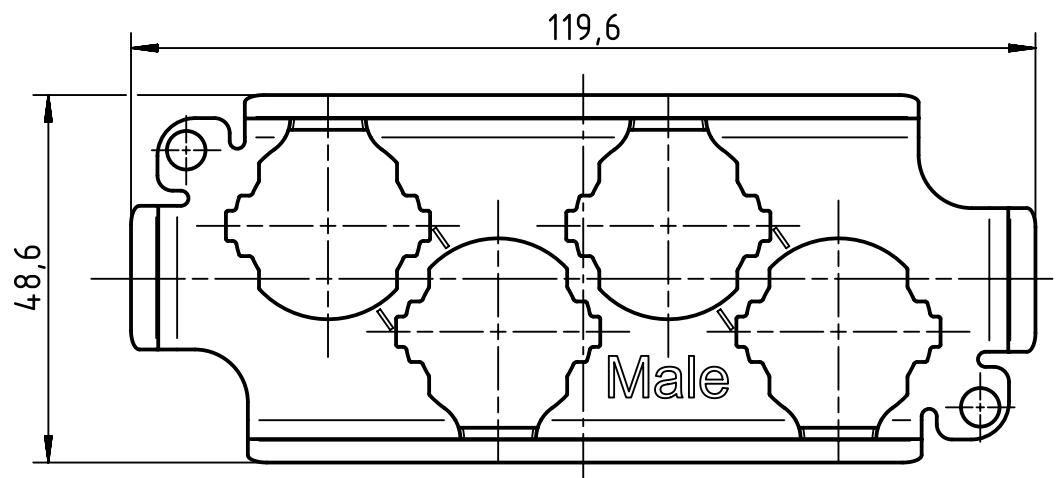
1 2 3 4 5 6

A

B

C

D



2x distance peg M6

2x screw M4

2x washer Sk S4

	All Dimensions in mm Original Size DIN A4	Scale 1:1		Free size tol.		Ref.	
						Sub.	
	All rights reserved Department EL PD - CN	Created by	Inspected by	Standardisation	Date	State	
		LONGL	WENE	RUETERA	2017-10-19	Final Release	
HARTING Electric GmbH & Co. KG D-32339 Espelkamp		Title				Doc-Key / ECM-Nr.	
		Frame Han 16HPR EasyCon male 4xHC250				100686425/UGD/004/B 500000126292	
		Type	Number		Rev.	Page	
		TB	09 40 016 9903		B	1/1	