

SPECIFICATIONS

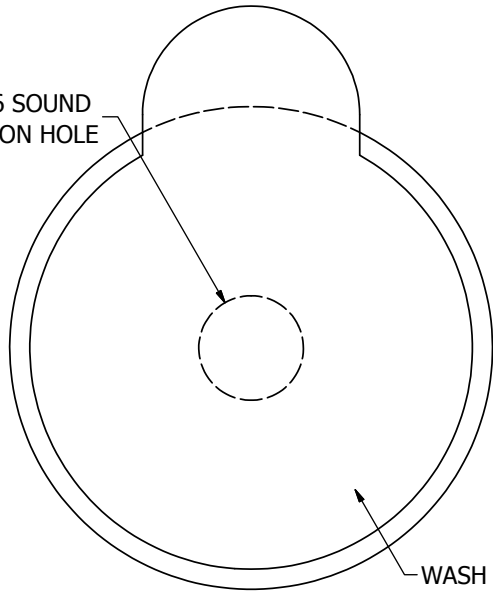
| PARAMETERS | VALUES | UNITS |
|-------------------------|---------------------|--------------|
| RATED VOLTAGE | 5 | Vdc |
| OPERATING VOLTAGE RANGE | 3 ~ 7 | Vdc |
| RATED CURRENT (MAX) | 30 | mA |
| MINIMUM SPL @ 10 CM | 85 | dB |
| RESONANT FREQUENCY | 2,300 ± 400 | Hz |
| TONE OR PULSE RATE | CONTINUOUS | 0 pulse /sec |
| OPERATING TEMPERATURE | -25 ~ +70 | °C |
| STORAGE TEMPERATURE | -30 ~ +80 | °C |
| HOUSING MATERIAL | NORYL | - |
| TERMINAL MATERIAL | Sn PLATED COPPER | - |
| WEIGHT | 2 | grams |

THIS DOCUMENT CONTAINS DATA PROPRIETARY TO PROJECTS UNLIMITED, INC. ANY USE OR REPRODUCTION, IN ANY FORM, WITHOUT PRIOR WRITTEN PERMISSION OF PROJECTS UNLIMITED, INC. IS PROHIBITED.
©2003, Projects Unlimited Inc.

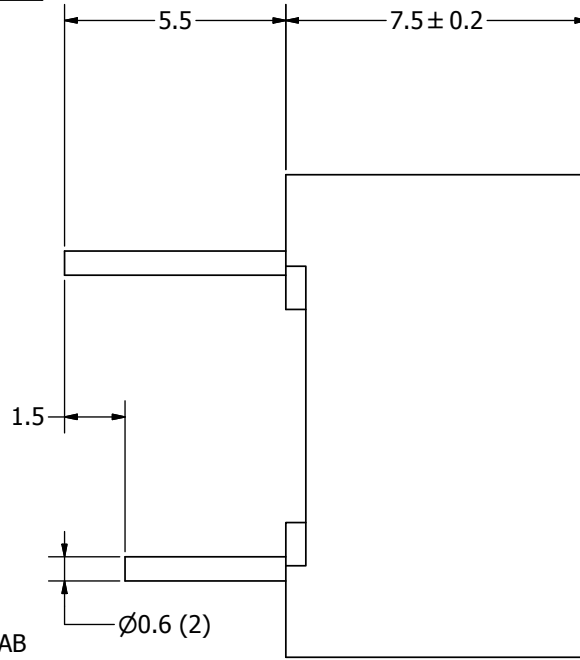
REVISION HISTORY

| LTR | DESCRIPTION | DATE | APPROVED |
|-----|--|------------|----------|
| - | RELEASED FROM ENGINEERING | 8/5/2005 | |
| A | REVISED DIMENSION SIZE AND STYLE | 11/28/2005 | B.R. |
| B | REVISED TO INVENTOR 3-D DRAWING TEMPLATE | 11/12/2007 | B.R. |

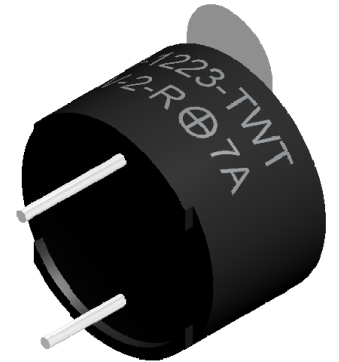
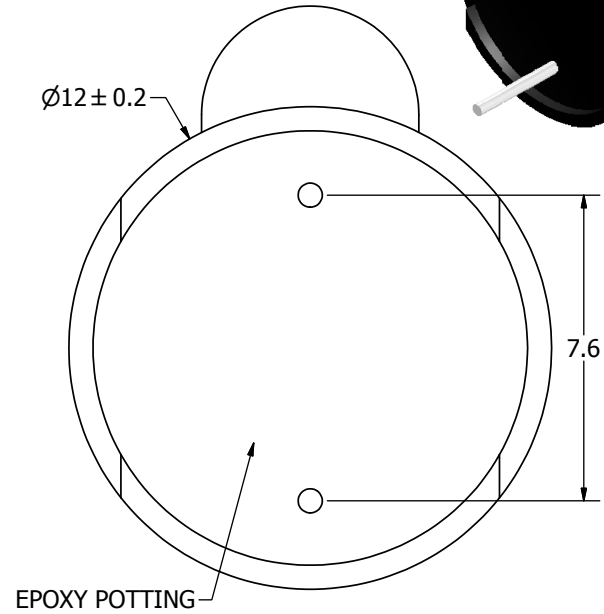
Ø2.6 SOUND EMISSION HOLE



WASH TAB



Ø12 ± 0.2



NOTES:

1. ALL DIMENSIONS ARE IN MILLIMETERS.
2. SPECIFICATIONS SUBJECT TO CHANGE OR WITHDRAWAL WITHOUT NOTICE.
3. THIS PART IS RoHS 2002/95/EC COMPLIANT.

| | | | | | | | | |
|--|--|--------------------|----------|------------|----------|-------------|----------|------------|
| UNLESS OTHERWISE SPECIFIED: DIMENSIONS ARE IN MILLIMETERS, TOLERANCES ARE ±0.5 AND ANGLES ARE ±3°. | SIZE | Designed by | Date | Checked by | Date | Approved by | Date | Drawn Date |
| | A3 | J.A.F. | 8/5/2005 | B.R. | 8/5/2005 | E.P. | 8/5/2005 | 11/12/2007 |
| | | AI-1223-TWT-5V-2-R | | | | | | Edition |
| AI-1223-TWT-5V-2-R.idw |  AI-1223-TWT-5V-2-R Indicator | | | | | | - | 1 / 1 |