

TREK1000 Application Use Cases

The TREK1000 contains 4 units that can be configured as anchors or tags. To expand the system into a 6 unit topology, customers can optionally use the DecaWave EVK1000 Evaluation Kit (which contains 2 units). Various configurations and use cases are illustrated below. (Users will need an ST-Link/V2 programmer to upgrade existing EVK1000 boards).

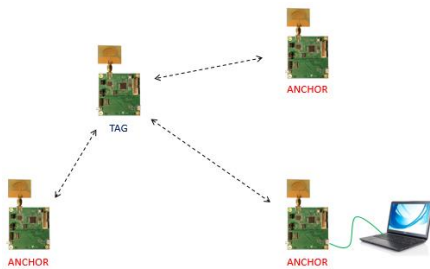
Tracking Systems

Example Applications:

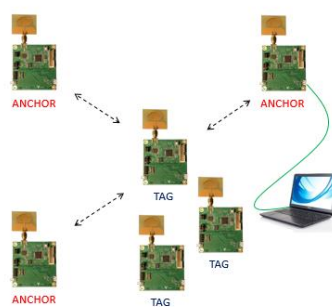
Determine 3D location of tags relative to fixed anchors.

Asset-Tracking (Healthcare, Farming, Logistics), Factory Automation

TREK1000
3 Anchors & 1 Tag (3D Trilateration)



TREK1000 + EVK1000
3 Anchors & 3 Tags (3D Trilateration)



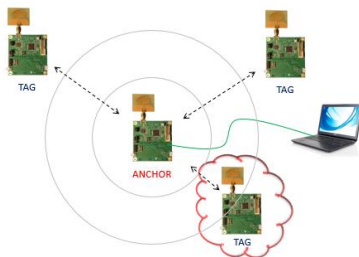
Geo-Fencing Systems

Example Applications:

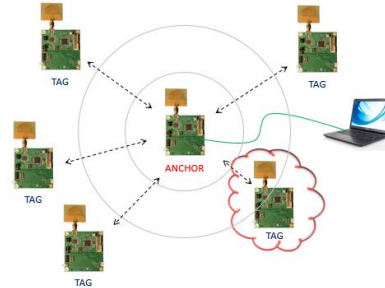
Determine when tags enter or leave a specific perimeter/zone.

Location-Based Payments, Personal Safety (Forklifts, Drilling Machines), Child-Monitoring, Secure-My-Valuables, Security

TREK1000
1 Anchor & 3 Tags



TREK1000 + EVK1000
1 Anchor & 5 Tags



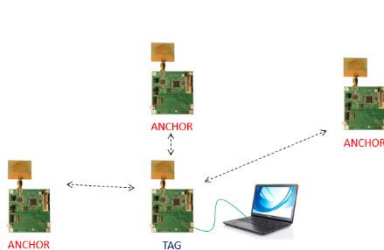
Navigation Systems

Example Applications:

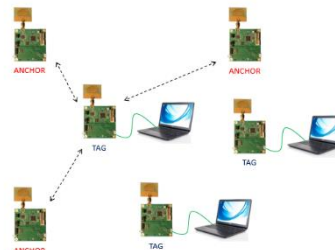
Track the 2D or 3D location of tags relative to fixed anchors.

Robotics, Human Navigation

TREK1000
3 Anchors & 1 Tag



TREK1000 + EVK1000
3 Anchors & 3 Tags



Version 1.2

Every effort has been made to ensure that the information contained in this document is correct. However the information is provisional and subject to change. The specification is "as is" and DecaWave makes no warranty and disclaims all warranties expressed or implied. DecaWave accepts no liability whether statutory related or implied for any inaccuracy, omission, incompleteness or error of any kind.

The TREK1000, as supplied from DecaWave, has not been certified for use in any particular geographic region by any regulatory body governing radio emissions in such regions. The TREK1000 is supplied under the following conditions (i) the distribution and sale of the TREK1000 is intended solely for use in the development of devices which may be subject to regulations or other authority governing radio emissions. (ii) this TREK1000 may not be resold by users for any purpose. (iii) the TREK1000 as supplied by DecaWave may not be incorporated directly into user devices or products unless such products undergo the appropriate certification. (iv) operation of the TREK1000 in the development of future devices is at the discretion of the user and the user bears all responsibility for any compliance with regulations laid down by the authority governing radio emissions in the user's jurisdiction.

FCC NOTICE: This kit is designed to allow (i) product developers to evaluate electronic components, circuitry, or software associated with the kit to determine whether to incorporate such items in a finished product and (ii) software developers to write software applications for use with the end product. This kit is not a finished product and when assembled may not be resold or otherwise marketed unless all required FCC equipment authorizations are first obtained. Operation is subject to the conditions that this device not cause harmful interference to licensed radio stations and that this device accept harmful interference. Unless the assembled kit is designed to operate under Part 15, Part 18 or Part 95 of the FCC Rules, the operator of the kit must operate under the authority of an FCC license holder or must secure an experimental authorization under Part 5 of the FCC Rules.