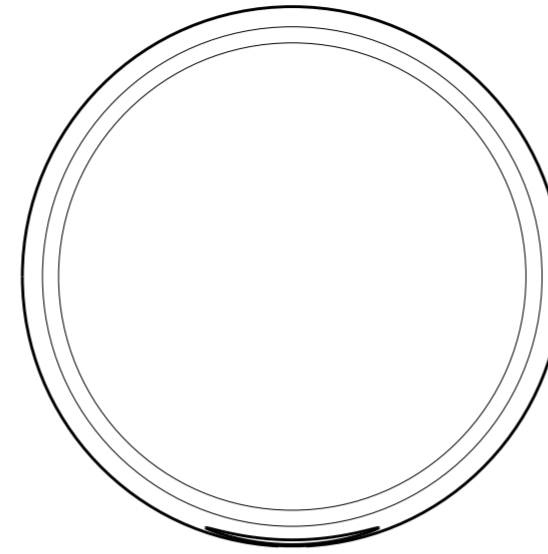
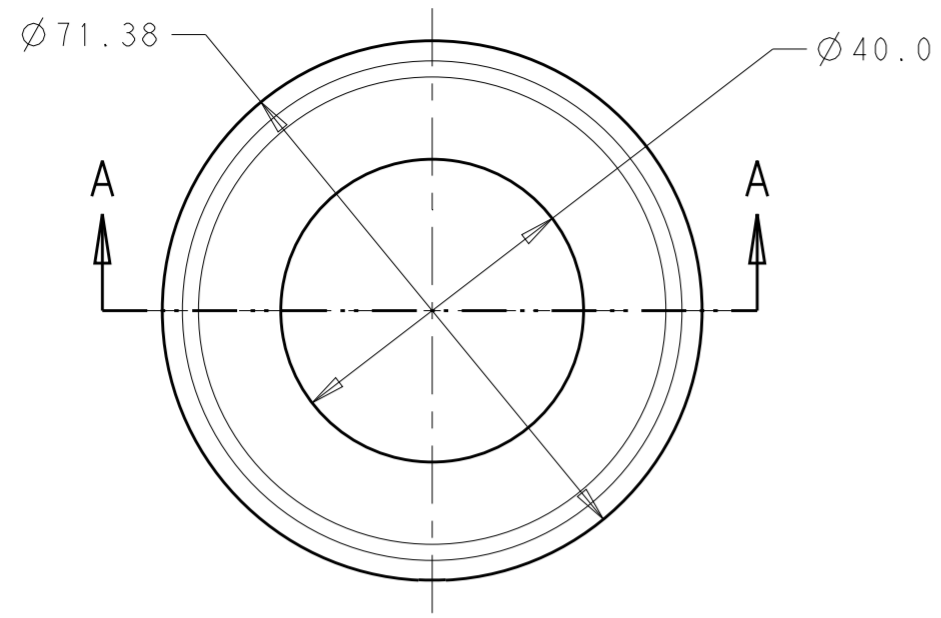


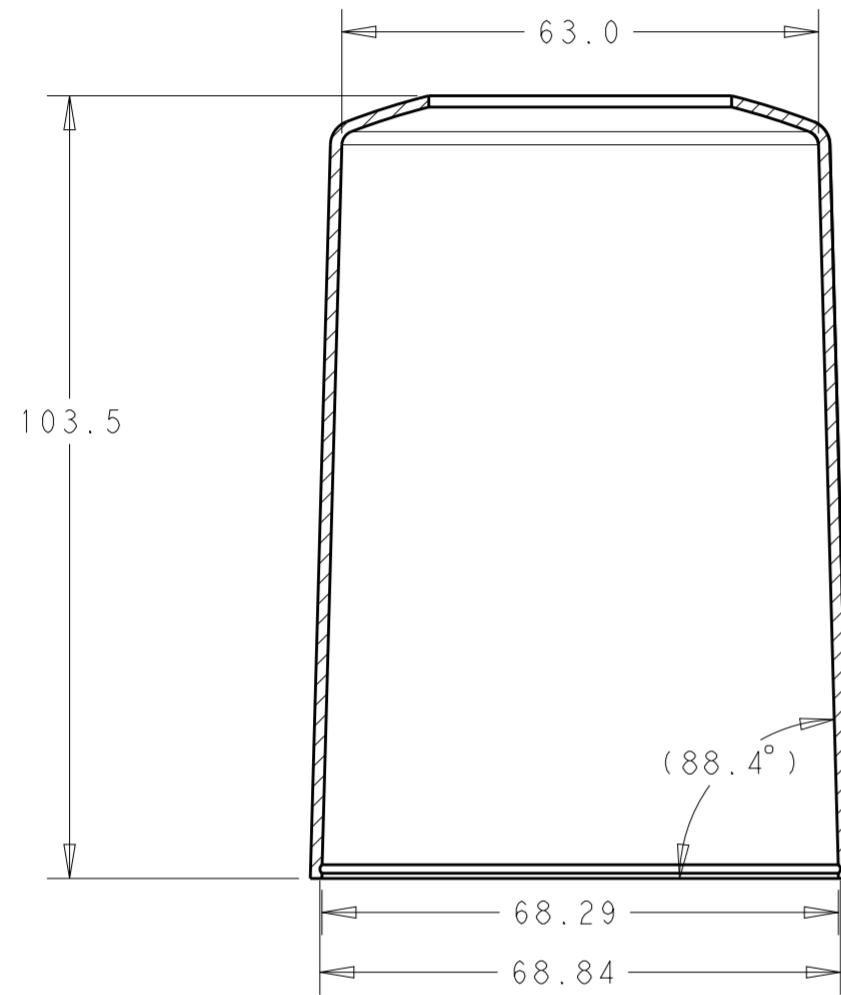
THIS DRAWING IS UNPUBLISHED. RELEASED FOR PUBLICATION 20
 © COPYRIGHT 20 BY - ALL RIGHTS RESERVED.

REVISIONS				
P	LTR	DESCRIPTION	DATE	APVD
	A	REVISED PER ECO-17-010648	21JUL2017	RK DD

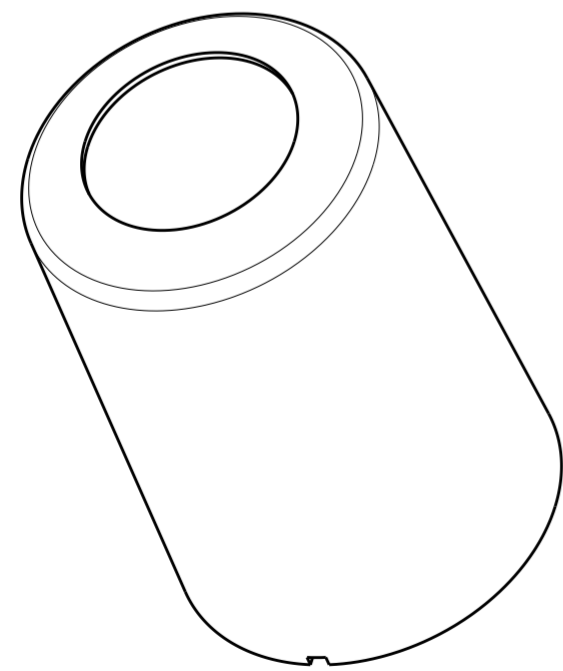
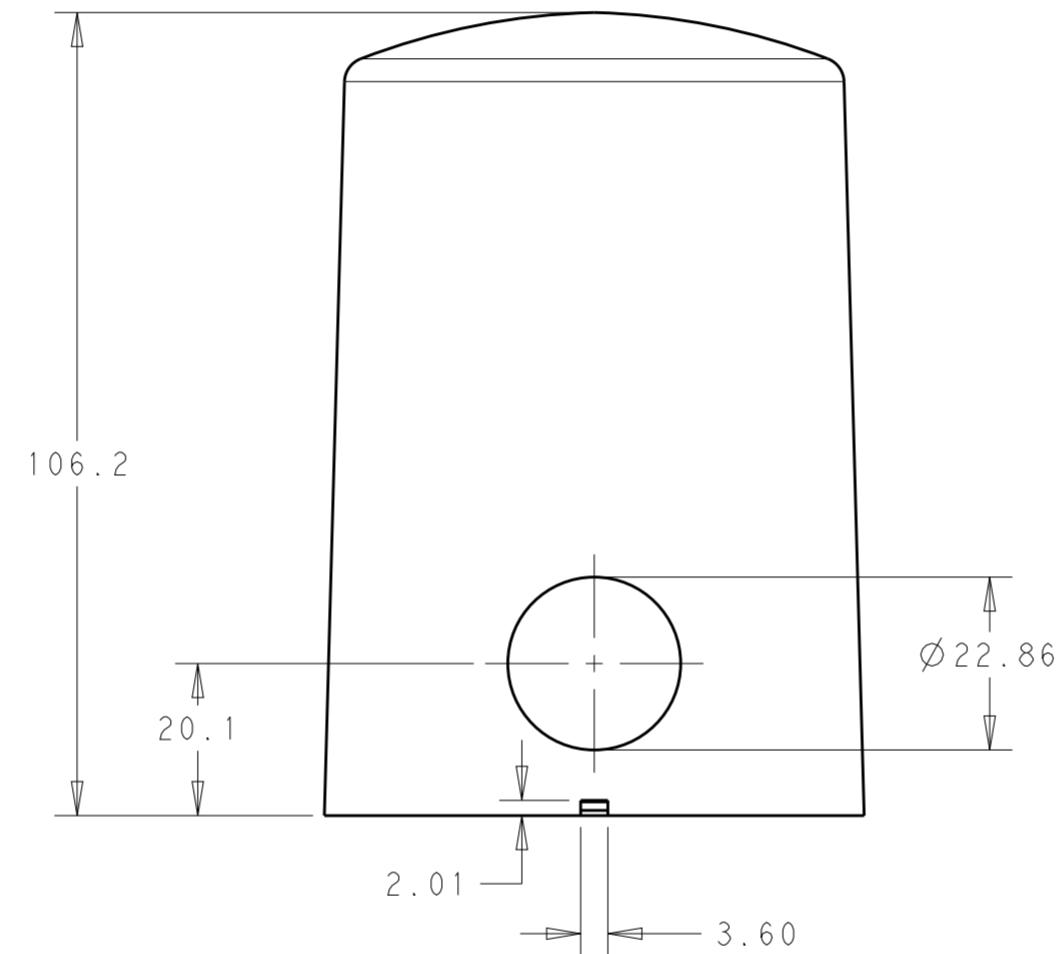


NOTES:

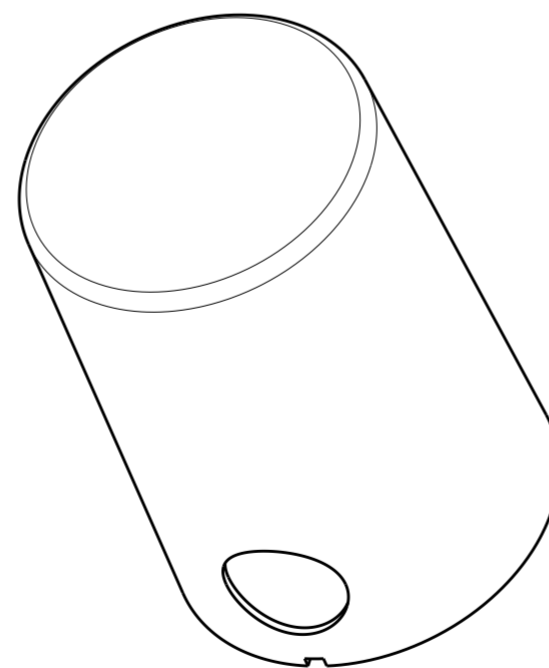
- 1 MATERIAL: PBT
- 2 MATING LIGHT CONTROLLER BASE ASSEMBLY TE P/N 2213871-1 AND 1-2213871-1.
- 3. THIS PRODUCT HAS NOT COMPLETED VALIDATION TESTING
- 4 DELETED
- 5 DOME P/N: 2306129-1 OR 1-2306129-1 TO BE USED WITH SLEEVE P/N: 2306133.
- 6 MAX ALLOWABLE PCB DIAMETER= $\varnothing 66.625$



SECTION A-A



1-2306133-1
SHOWN



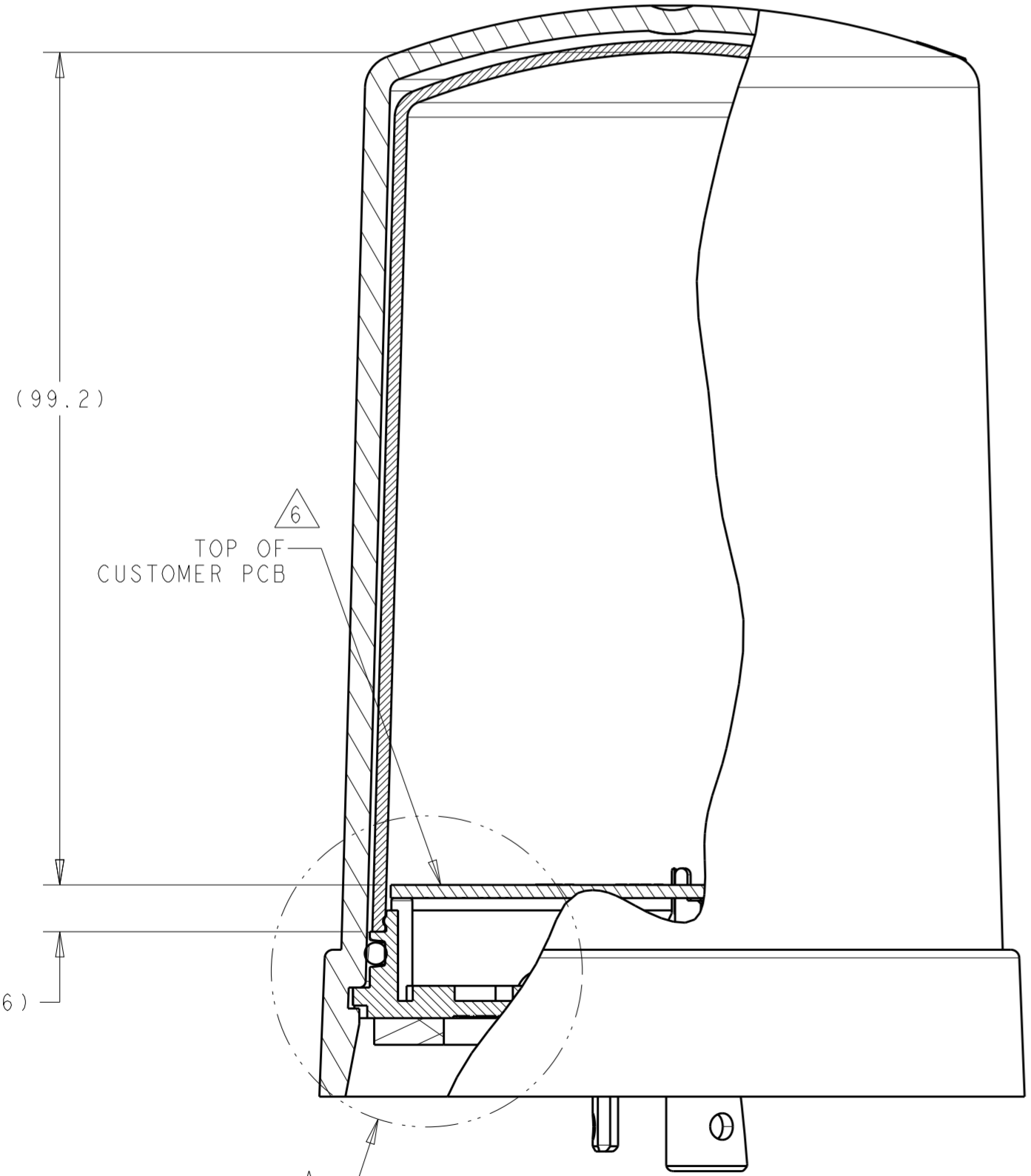
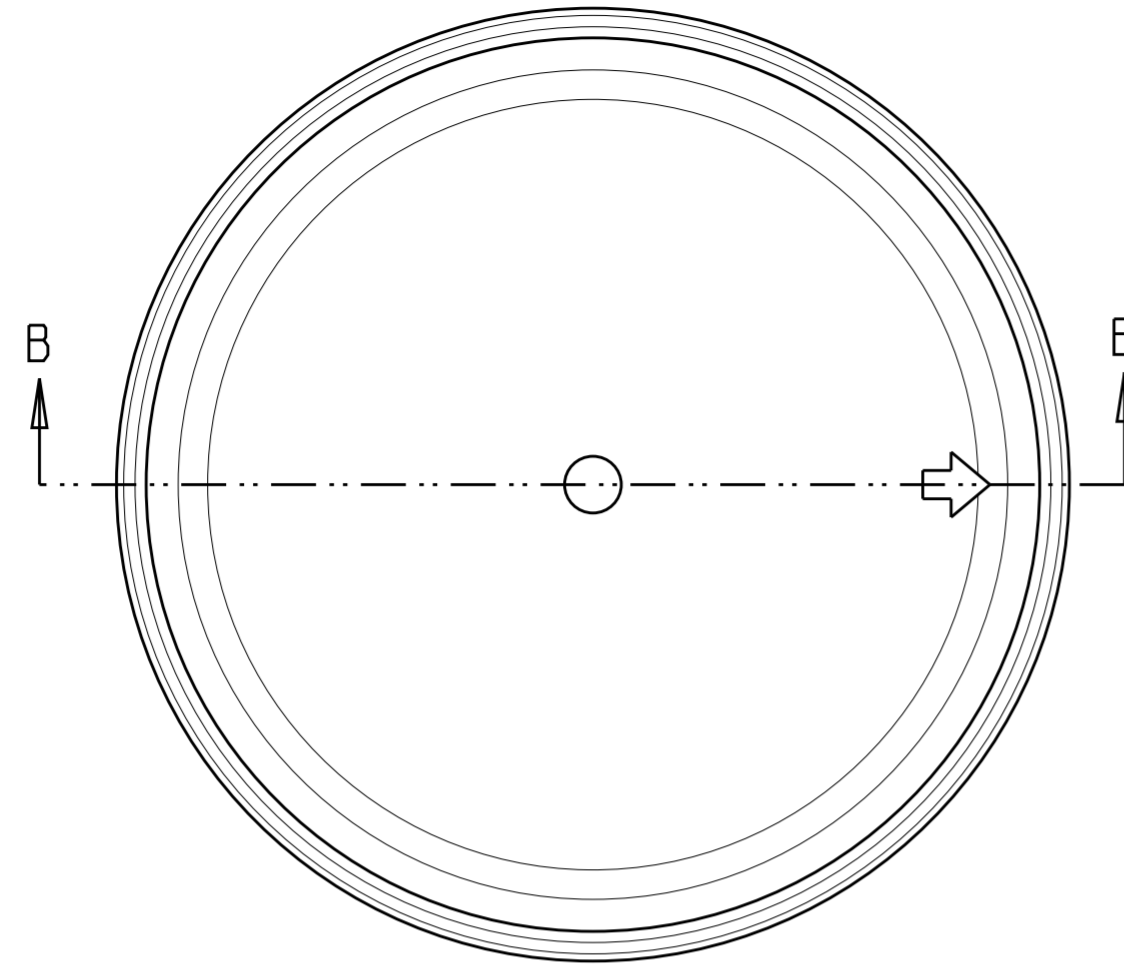
2306133-1
SHOWN

TOP HOLE	JET BLACK	1-2306133-1
SIDE HOLE	JET BLACK	2306133-1
DESCRIPTION	COLOR	PART NO.

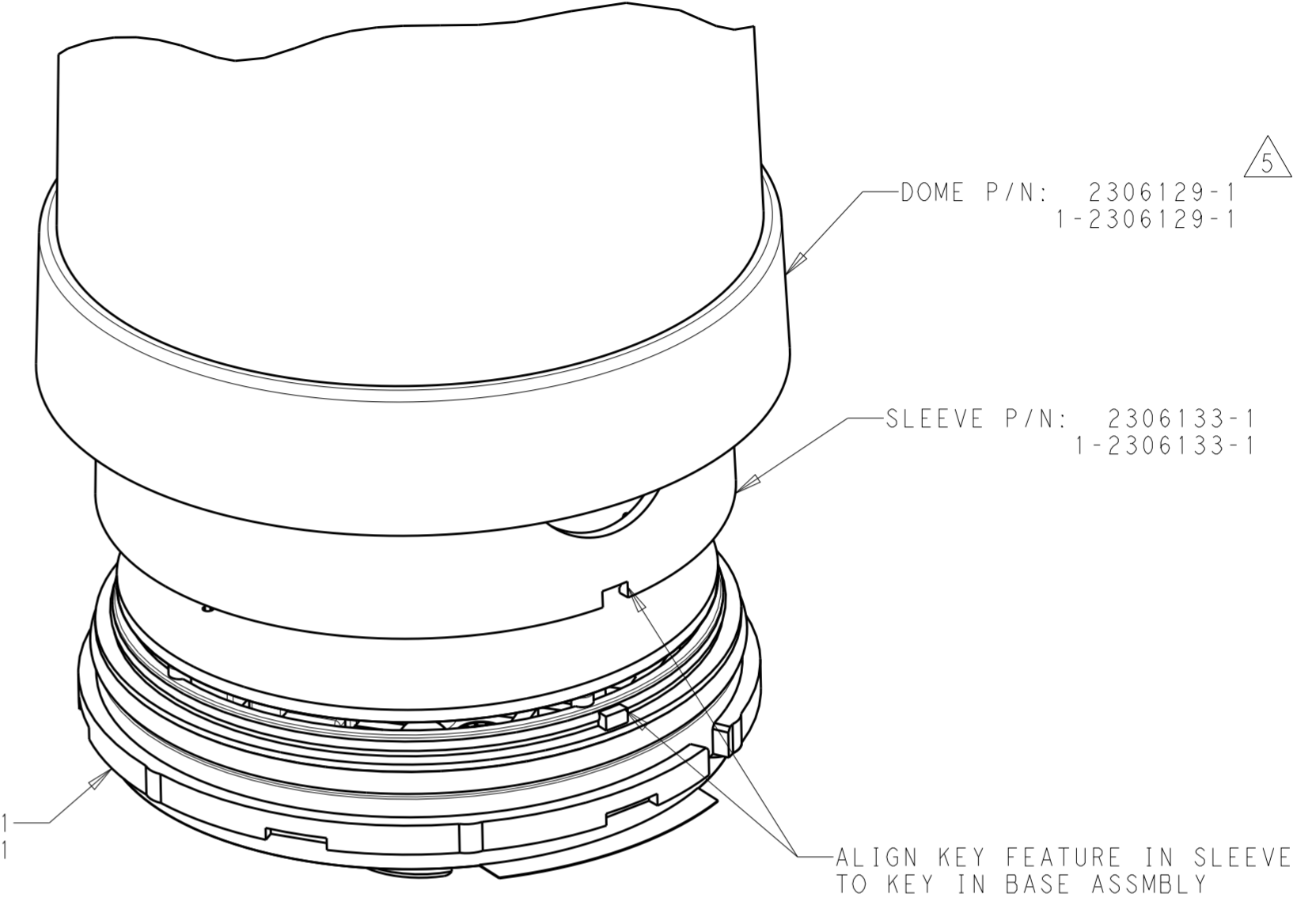
THIS DRAWING IS A CONTROLLED DOCUMENT.		DWN J. SHAFFER 18JUL2016	APVD - 18JUL2016		TE Connectivity NAME SLEEVE, CONTROLLER, LIGHT BASE, TALL, 76 DIA
DIMENSIONS: mm		CHK E. HOWARD 18JUL2016	PRODUCT SPEC 108-32125		
TOLERANCES UNLESS OTHERWISE SPECIFIED:		APVD - 18JUL2016		APPLICATION SPEC 114-32159	RESTRICTED TO -
0 PLC ±		WEIGHT -		SIZE A2	CAGE CODE -
1 PLC ±0.3		CUSTOMER DRAWING		DRAWING NO C-2306133	SCALE 1:1
2 PLC ±0.25		SCALE 1:1		SHEET 1 OF 2	REV A
3 PLC ±		SCALE 1:1		SHEET 1 OF 2	REV A
4 PLC ±		SCALE 1:1		SHEET 1 OF 2	REV A
ANGLES ±		SCALE 1:1		SHEET 1 OF 2	REV A
FINISH -		SCALE 1:1		SHEET 1 OF 2	REV A

THIS DRAWING IS UNPUBLISHED. RELEASED FOR PUBLICATION 20
 © COPYRIGHT 20 BY - ALL RIGHTS RESERVED.

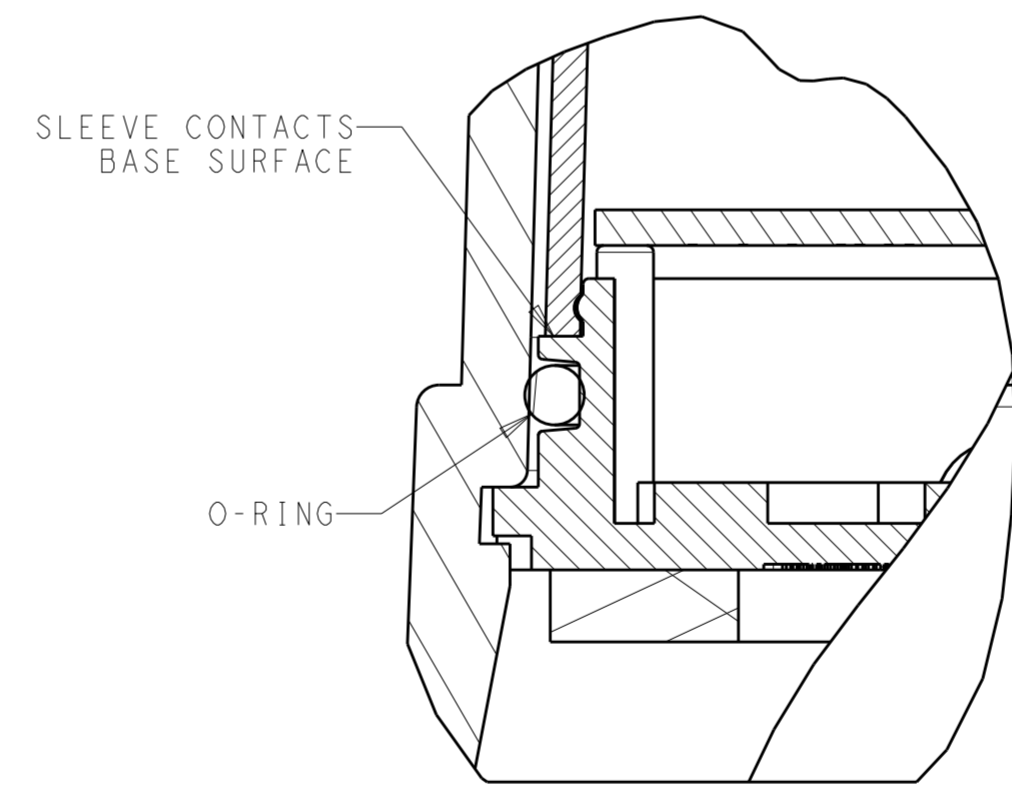
REVISIONS				
P	LTR	DESCRIPTION	DATE	APVD
-	-	SEE SHEET 1	-	-



SECTION B-B
SCALE 3:2



BASE ASSEMBLY 2213871-1
1-2213871-1



DETAIL A
SCALE 3:1

THIS DRAWING IS A CONTROLLED DOCUMENT.		DWN J. SHAFFER 18 JUL 2016	TE Connectivity															
		CHK E. HOWARD 18 JUL 2016																
DIMENSIONS: mm		TOLERANCES UNLESS OTHERWISE SPECIFIED:		NAME SLEEVE, CONTROLLER, LIGHT BASE, TALL, 76 DIA														
<table border="1"> <tr><td>0 PLC</td><td>±</td></tr> <tr><td>1 PLC</td><td>±0.3</td></tr> <tr><td>2 PLC</td><td>±0.25</td></tr> <tr><td>3 PLC</td><td>±</td></tr> <tr><td>4 PLC</td><td>±</td></tr> <tr><td>ANGLES</td><td>±</td></tr> <tr><td>FINISH</td><td>-</td></tr> </table>		0 PLC	±	1 PLC	±0.3	2 PLC	±0.25	3 PLC	±	4 PLC	±	ANGLES	±	FINISH	-	APVD -	PRODUCT SPEC 108-32125	SIZE A2
0 PLC	±																	
1 PLC	±0.3																	
2 PLC	±0.25																	
3 PLC	±																	
4 PLC	±																	
ANGLES	±																	
FINISH	-																	
MATERIAL		APPLICATION SPEC 114-32159	WEIGHT -	CAGE CODE -														
		CUSTOMER DRAWING	SCALE 1:1	DRAWING NO C-2306133														
			SHEET 2 OF 2	RESTRICTED TO -														
			REV A															