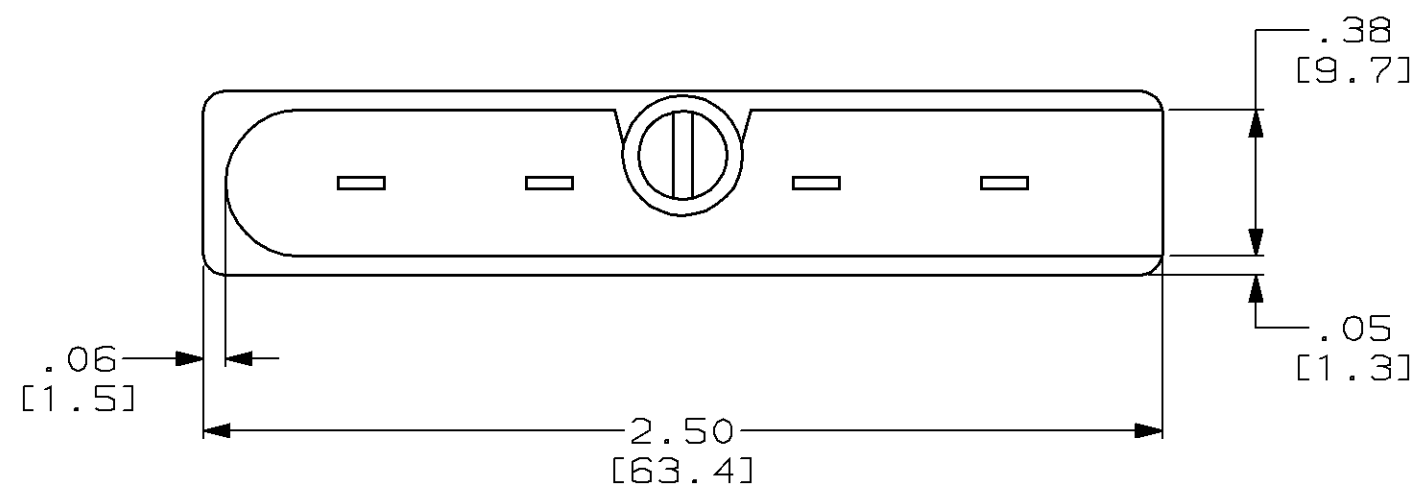
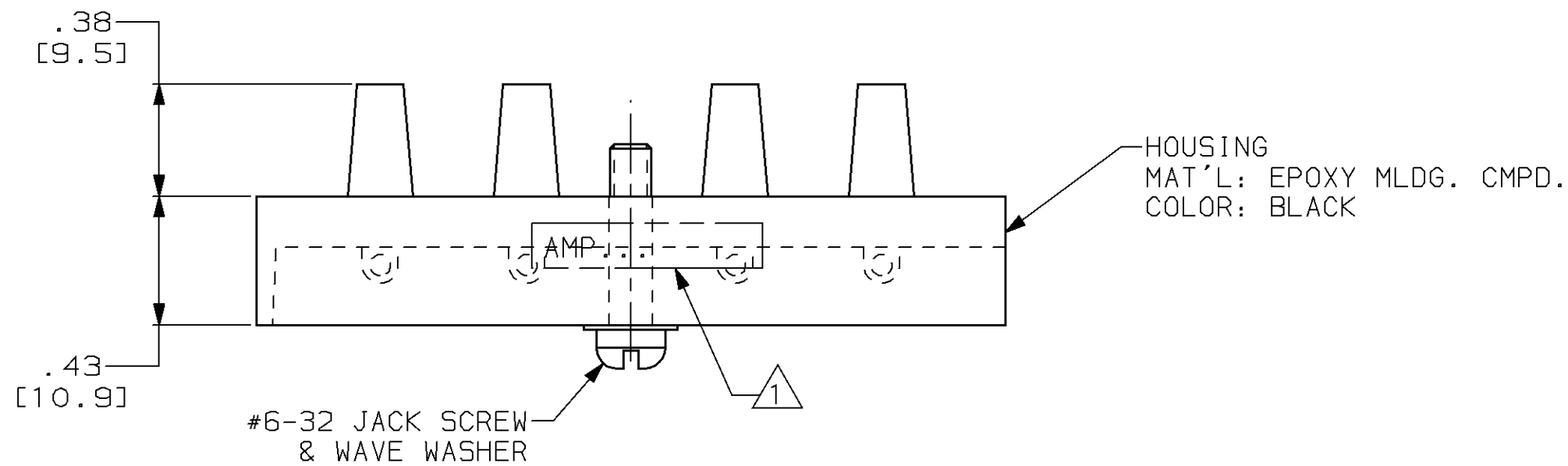
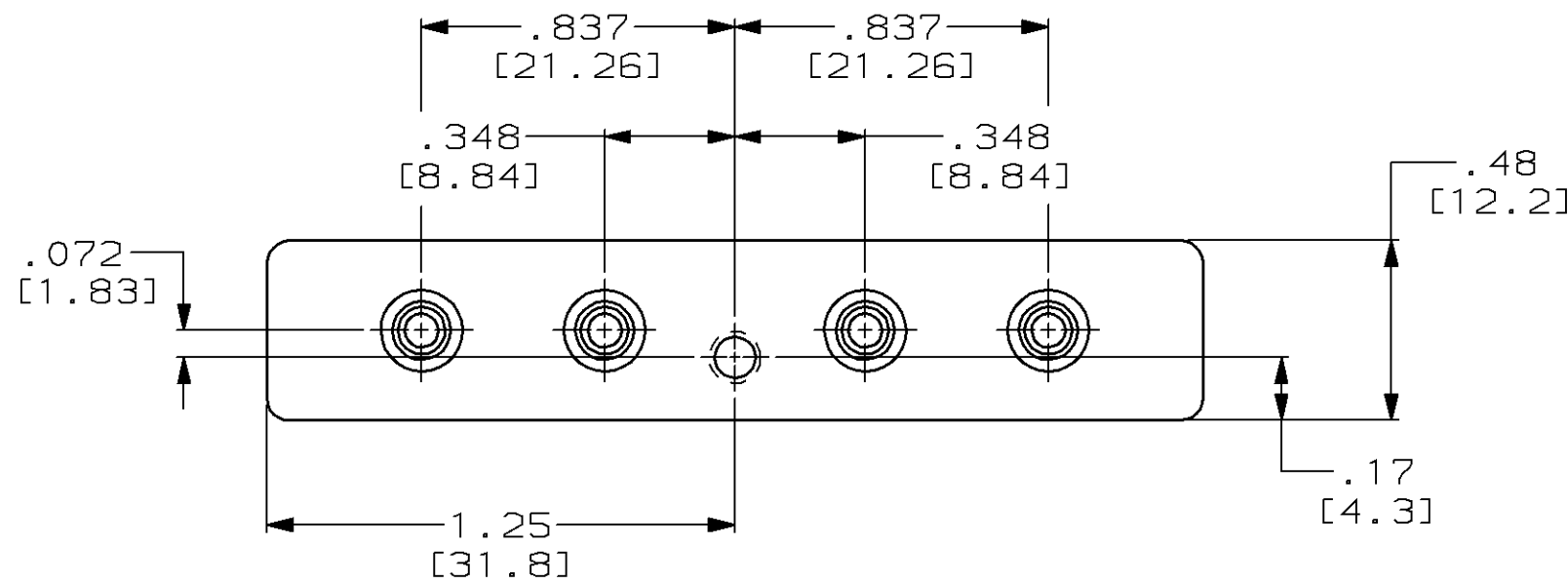


THIS DRAWING IS UNPUBLISHED. RELEASED FOR PUBLICATION  
 BY AMP INCORPORATED. ALL RIGHTS RESERVED.

LOC		DIST		REVISIONS			
P	LTR	DESCRIPTION	DATE	DWN	APVD		
DF	SO	A	REV & REDRAWN; 0600-6261-97	7-97	CT	SG	



1 AMP INFORMATION MARKED IN THIS AREA WITH WHITE INK.

865477-1  
 PART NO.

THIS DRAWING IS A CONTROLLED DOCUMENT.		DWN C.C. THOMAS 6-3-97	AMP Incorporated Harrisburg, PA 17105-3608	
DIMENSIONS: [INCHES [mm]]		CHK S. GLATFELTER 7-16-97	NAME S. GLATFELTER	
TOLERANCES UNLESS OTHERWISE SPECIFIED:		APVD S. GLATFELTER 7-16-97	PRODUCT SPEC -	
0 PLC ±-		APPLICATION SPEC -		
1 PLC ±-		WEIGHT -		
2 PLC ±.02 [0.5]		SCALE A2 00779 C-865477		
3 PLC ±.005 [0.13]		SHEET 1 OF 1		
4 PLC ±-		REV A		
ANGLES ±-		CUSTOMER DRAWING		
COLOR -		RESTRICTED TO -		