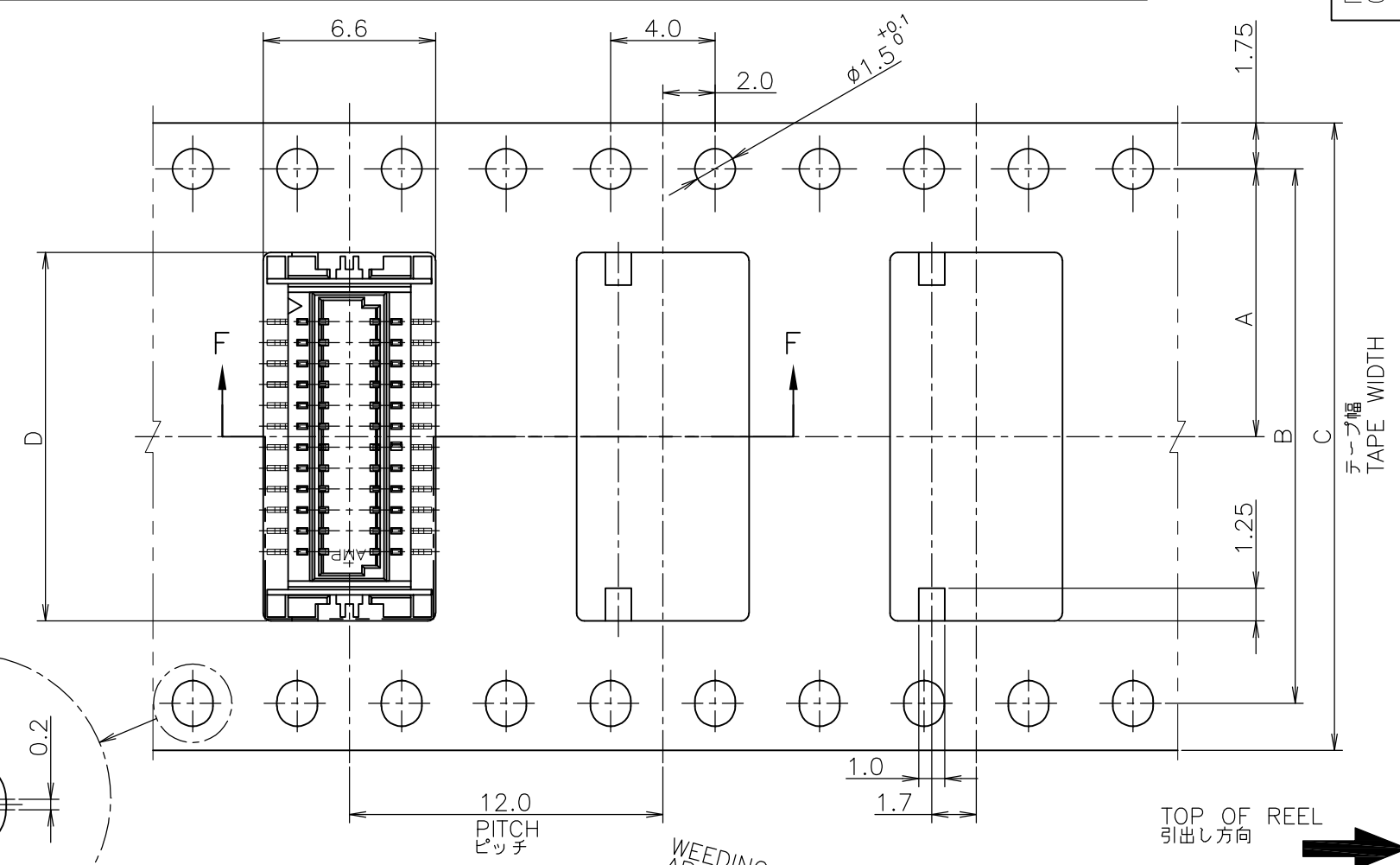


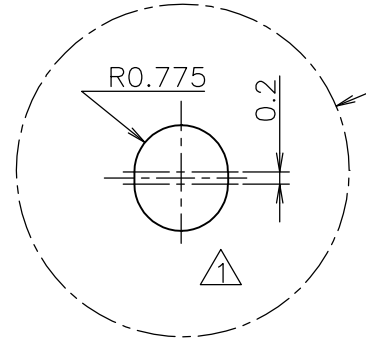
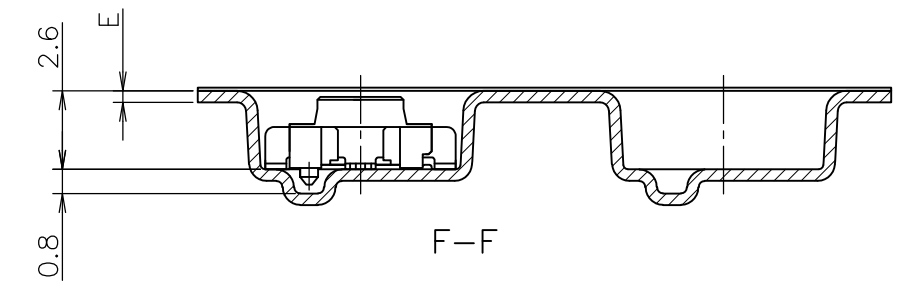
THIS DRAWING IS UNPUBLISHED. RELEASED FOR PUBLICATION FEB, 1994.  
 © COPYRIGHT 1994 By - ALL RIGHTS RESERVED.

LOC	DIST	REVISIONS					
ES		P	LTR	DESCRIPTION	DATE	DWN	APVD
			L2	REVISED PER ECO-11-005694	27OCT2011	B.L	S.Y

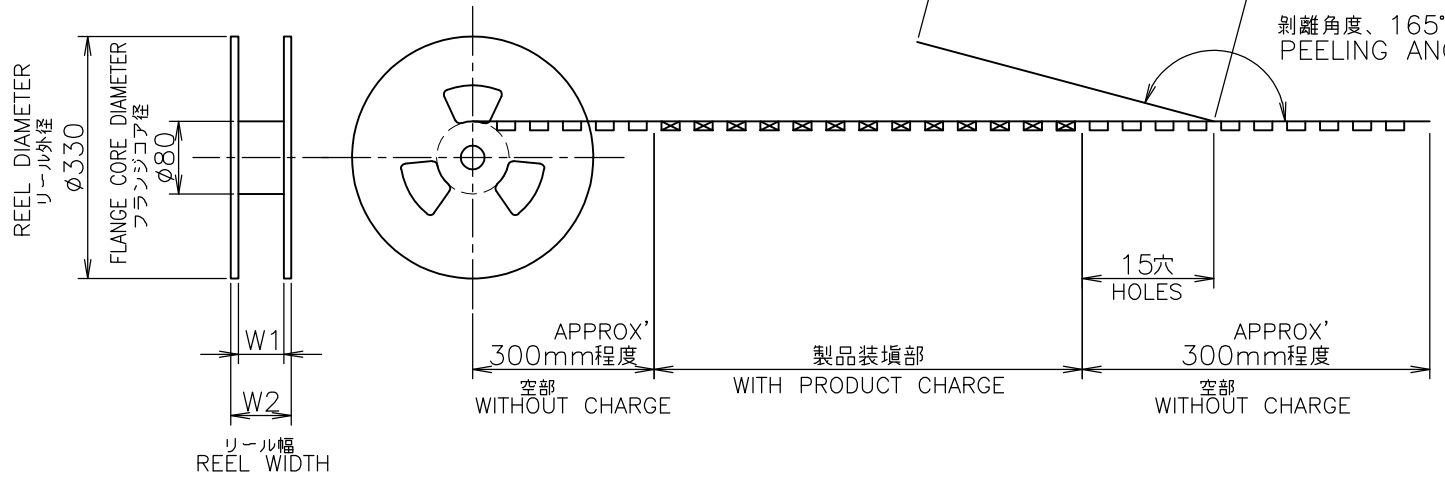


AS SHOWN 24POS.

△ 指示穴は40極品以上に適用。  
 △ THESE HOLES ARE APPLIED TO 40 POS OR MORE.



WEEDING THE COVER TAPE AROUND THE OUTER PERIPHERY IN A TURN.  
 カバーテープリーダー部外周一巻  
 剥離角度、165°~180° PEELING ANGLE.



BLACK	29.5	25.5	0.38	16.5	24	—	11.5	1500	30	3-179397-5
OBSOLETE BEIGE	49.5	45.5	0.38	24.5	44	40.4	20.2	1500	50	5-179397-0
OBSOLETE	37.5	33.5	↑	20.5	32	28.4	14.2	↑	40	4-↑-0
	↑	↑	↑	16.5	↑	—	↑	↑	30	3-↑-0
	29.5	25.5	↑	14.1	24	—	11.5	↑	24	2-↑-4
	↑	↑	↑	10.9	↑	—	↑	↑	16	1-↑-6
	21.5	17.5	0.38	10.1	↑	—	↑	↑	14	1-↑-4
ベージュ	22.4	16.4	0.4	9.3	16	—	7.5	1500	12	1-179397-2
色	W2	W1	E	D	C	B	A	数量 (ヶ)	極数	リール巻コネクタ型番
COLOR	DIMENSIONS							QTY/REEL	POS	TAPING P/N

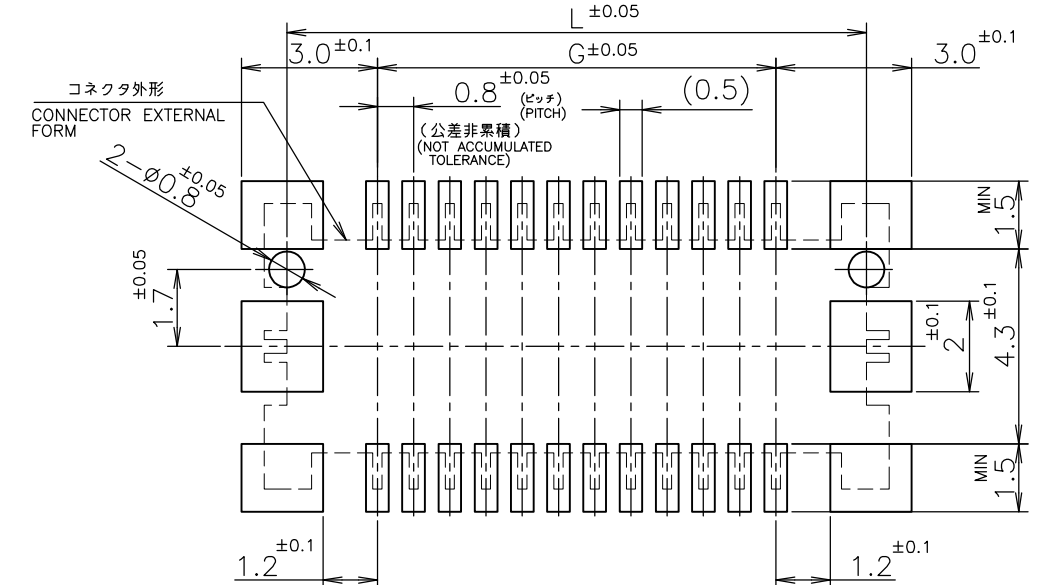
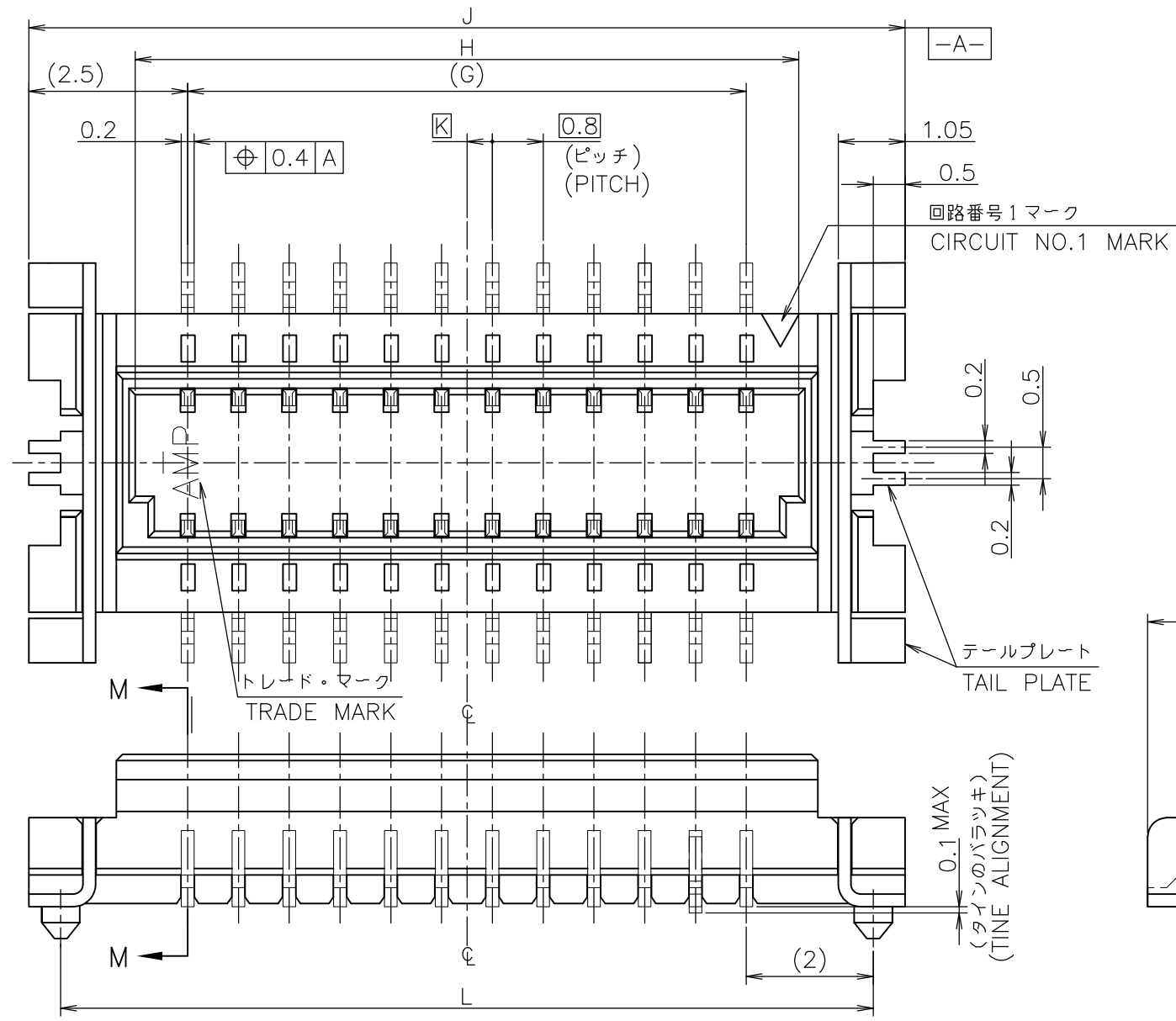
INSTRUCTION SHEET 取扱説明書 411-5654

THIS DRAWING IS A CONTROLLED DOCUMENT.

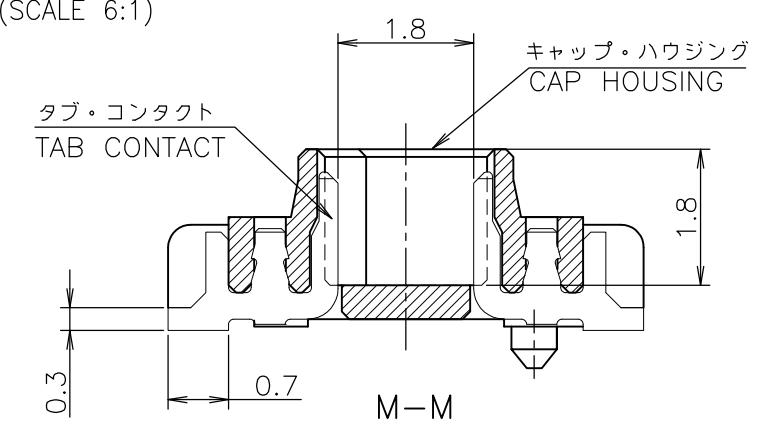
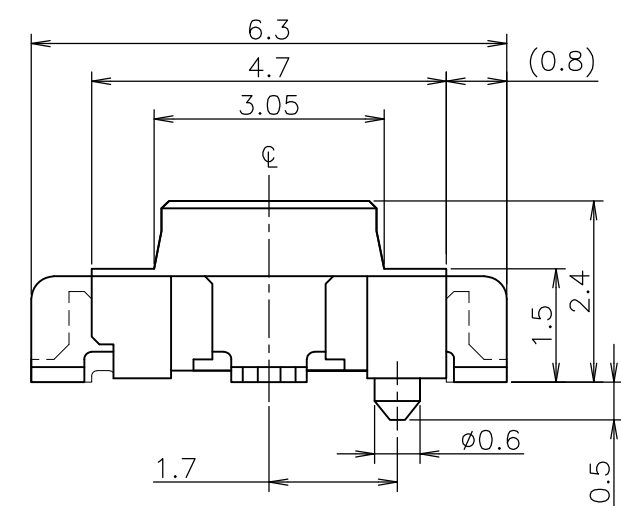
DIMENSIONS: 単位: 耗 mm	TOLERANCES UNLESS OTHERWISE SPECIFIED: 一般公差	DWN K.ASAKAWA 24FEB94	<b>STE</b> TE Connectivity
0 PLC ± 0.2	1 PLC ± 0.2	CHK S.KUBOUCHI 24FEB94	
2 PLC ± 0.2	3 PLC ± 0.2	APVD S.KUBOUCHI 01NOV96	NAME 名称 ON TAPING EMBOSS CAP ASSEMBLY WITH BOSS
4 PLC ± 0.2	ANGLES ± 3'	PRODUCT SPEC 製品規格 108-5424	0.8mm PITCH BOARD TO BOARD CONNECTOR
MATERIAL 材料	FINISH 仕上	APPLICATION SPEC 取付適用規格	MATING HEIGHT 3.0mm
CUSTOMER DRAWING		WEIGHT	SIZE A3 CAGE CODE 00779 DRAWING NO. G-179397 RESTRICTED TO
		SCALE 尺度 4:1	SHEET 1 OF 2 REV L2

THIS DRAWING IS UNPUBLISHED. RELEASED FOR PUBLICATION FEB, 1994.  
 © COPYRIGHT 1994 By - ALL RIGHTS RESERVED.

LOC	DIST	REVISIONS		
		P	LTR	DESCRIPTION
ES		-		SEE SHEET 1



参考基板加工寸法 (t=0.6 MIN.)  
 REFERENCE P.C. BOARD LAYOUT (SCALE 6:1)



0.241	15.2	---	16.2	12.8	11.2	30
-0.361	23.2	---	24.2	20.8	19.2	50
-0.301	19.2	0.4	20.2	16.8	15.2	40
0.241	15.2	---	16.2	12.8	11.2	30
0.205	12.8	0.4	13.8	10.4	8.8	24
0.157	9.6	0.4	10.6	7.2	5.6	16
0.145	8.8	---	9.8	6.4	4.8	14
0.133	8.0	0.4	9.0	5.6	4.0	12
重量 (g) WEIGHT	L	K	J	H	G	極数 POS

△ 材料: ハウジング - 6T NYLON (高耐熱性ナイロン)  
 ガラス30%, 色: ベージュ  
 コンタクト - 燐青銅・錫めっき (0.2t)  
 テールプレート - 燐青銅・錫めっき (0.2t)

△ MATERIAL: HOUSING - 6T NYLON (HIGH HEAT-RESISTED NYLON), GF30%,  
 COLOR: BEIGE.  
 CONTACT - POST-TIN/PHOS-BROZ (0.2t)  
 TAIL PLATE - POST-TIN/PHOS-BROZ (0.2t)

THIS DRAWING IS A CONTROLLED DOCUMENT.

DIMENSIONS: 単位: 耗 mm	TOLERANCES UNLESS OTHERWISE SPECIFIED: 一般公差	DWN	TE Connectivity		
	0 PLC ± 0.2	CHK	NAME 名称 ON TAPING EMBOSS CAP ASSEMBLY WITH BOSS 0.8mm PITCH BOARD TO BOARD CONNECTOR MATING HEIGHT 3.0mm		
	1 PLC ± 0.2	APVD	PRODUCT SPEC 製品規格		
	2 PLC ± 0.2	PRODUCT SPEC	SIZE CAGE CODE DRAWING NO 番号 番号		
	3 PLC ± 0.2	APPLICATION SPEC	A3 00779 G-179397		
	4 PLC ± 0.2	取付適用規格	RESTRICTED TO 番号		
	ANGLES ± 3'	WEIGHT	CUSTOMER DRAWING		
MATERIAL 材料	FINISH 仕上	SCALE 10:1 SHEET 2 OF 2 REV L2			
SEE NOTE 2 注 2 参照	SEE NOTE 2 注 2 参照				