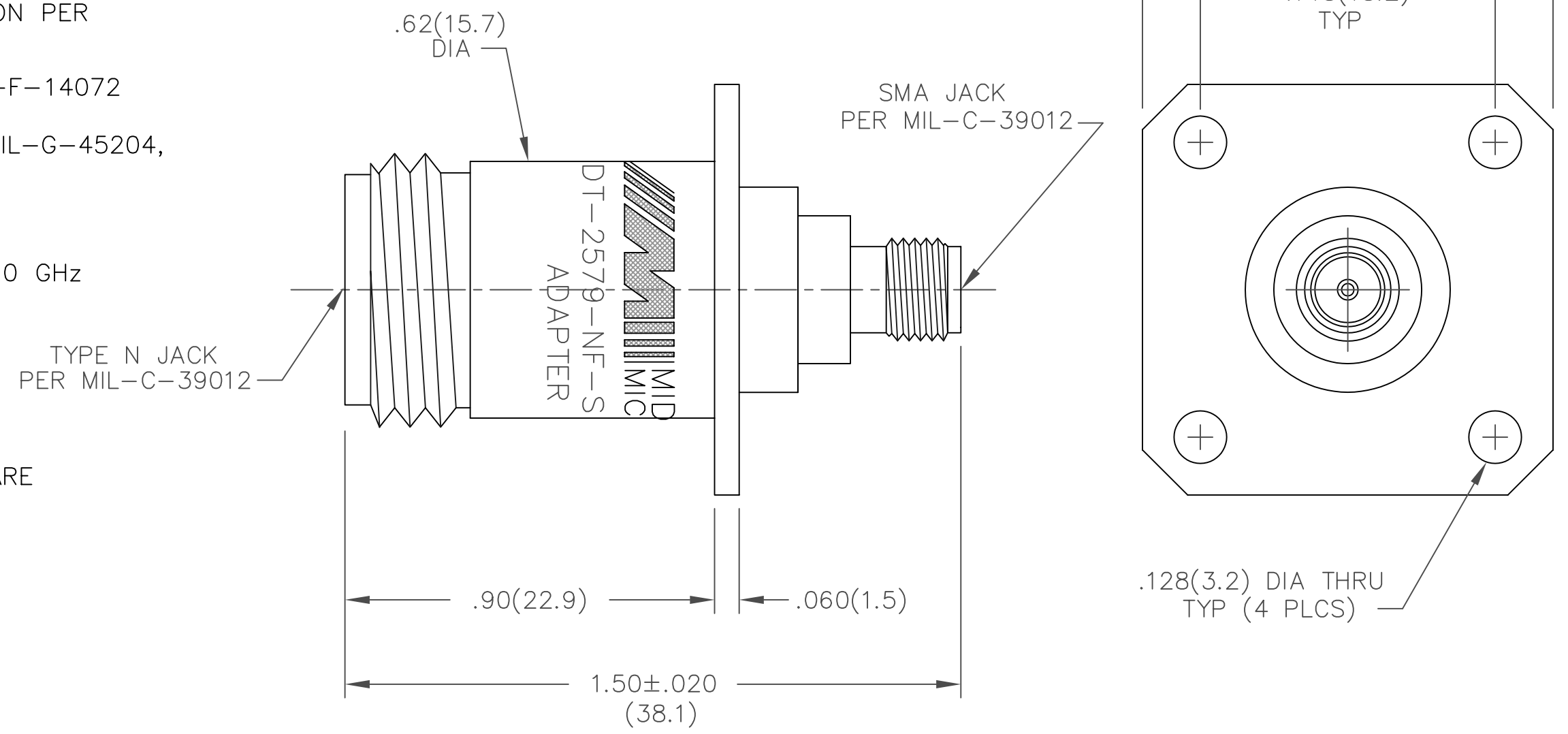


MODEL NUMBER
ADT-2579-NF-SMF-02

NOTES:

- 1.0 MATERIALS:
 - 1.1 HOUSING: STAINLESS STEEL PER ASTM-A582, TYPE 303.
 - 1.2 CENTER CONTACT: BERYLLIUM COPPER ROD ALLOY C172, PER ASTM-B196.
 - 1.3 DIELECTRIC: PTFE FLUOROCARBON PER
- 2.0 PLATING:
 - 2.1 HOUSING: PASSIVATED PER MIL-F-14072 AND QQ-P-35
 - 2.2 CENTER CONTACT: GOLD PER MIL-G-45204, TYPE II, CLASS 2.
- 3.0 ELECTRICAL SPECIFICATIONS:
 - 3.1 FREQUENCY RANGE: DC to 18.0 GHz
 - 3.2 VSWR (MAX):
 - DC to 4.0 GHz: 1.04:1
 - 4.0 to 8.0 GHz: 1.07:1
 - 8.0 to 18.0 GHz: 1.12:1
 - 3.3 IMPEDANCE: 50 OHMS
- 4.0 DIMENSIONS IN PARENTHESIS ARE IN MILLIMETERS.
- 5.0 MARKING: MARK UNIT AS SHOWN



DWG NO WAS: 02396-01-00

NOTICE: The information contained in this drawing is proprietary and must not be used without the permission of Emerson Network Power.	CAGE CODE 34078		MIDWEST MICROWAVE	
			TITLE TYPE N FEMALE TO SMA FEMALE ADAPTER FLANGE MOUNT OUTLINE DRAWING	
UNLESS OTHERWISE NOTED DIMENSIONS ARE IN INCHES AND TOLERANCES ARE: 3 PLACE DECIMALS ±.005 2 PLACE DECIMALS ±.02 FRACTIONS ±1/64 PARALLELITY: T.I.R. _____ FLATNESS: T.I.R. _____ CONCENTRICITY: T.I.R. _____ ANGLES AND PERPENDICULARITY: ±1°			DRAWN/DATE A.BEATTY 12/11/92 ENG./DATE A.OSGA 12/16/92	DRAWING NUMBER ADT-2579-NF-SMF-02-01 SCALE: 5=1
CHECKED/DATE M.HOLLMAN 12/16/92 APPROVED/DATE				

REV.	DESCRIPTION	DATE
I	RELEASED	12/16/92
A	ECR 6545	6/29/89
B	ECR 6933	4/4/90
B1	UPDATE MOD. NO.	2/20/91
C	ON CAD\UPDATE MARKING	12/11/92
C1	ADDED TITLEBLOCK	3/9/05
E	ECO 22123	8/18/09
E1	ECO 23209	1/10/11