

SW2014



Revision level			Revision Record	Changed	Date	Approved	Date
Drawing	State	Part					
00.0	Design Release		SEE ECN# 013484	GRW	6/30/2016	KAC	6/30/2016

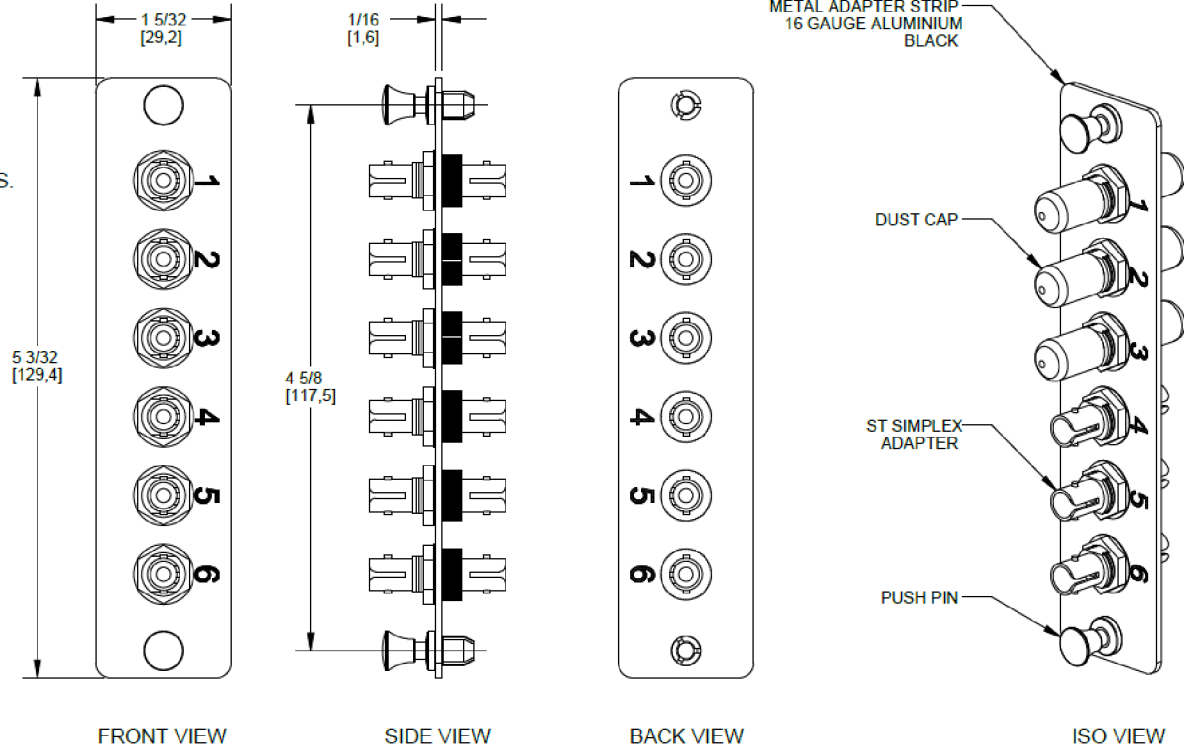
**FEATURES AND BENEFITS:**

- INDUSTRY STANDARD SIZE: LGX FOOTPRINT 5 3/32 [130] X 1 5/32 [29].
- SILKSCREENED PORTS NUMBERS ON BOTH SIDES.
- WIDE VARIETY OF ADAPTER QUANTITY & TYPE.
- MANUFACTURED WITH HIGH PERFORMANCE COMPONENT MATERIALS.
- LOW INSERTION LOSS.
- PRECISE ALIGNMENT FOR GLASS-TO-GLASS CONTACT.
- BLANK ADAPTER STRIP ALSO AVAILABLE TO COVER UNOCCUPIED CUT-OUTS.
- PUSH-PIN MECHANISM ALLOWS EASY AND QUICK TOOL-LESS INSTALLATION.

**NOTES:**

1. ALL DIMENSIONS ARE IN INCHES [MILLIMETERS].
2. INSERTION LOSS: 0.3dB MAX.
3. OPERATING & STORAGE TEMPERATURE -40°C TO +85°C
4. CERTIFICATIONS AND COMPLIANCES:

- ROHS
- GR-326-CORE
- TIA/EIA-568-C.3
- TIA-604-2A
- TIA-455 SERIES
- UL 94
- ASTM A1008
- IEC-61754-1



Type #	Mode	Article #
VFAP6SMMST	MULTI	904-00377
VFAP6SSMSTZ	SINGLE	904-00378

Material  
ASSEMBLED

Units: **inches**  
Dimension without tolerances details to:  
.xxxx = ±.0005  
.xxx = ±.005  
.xx = ±.01  
.x = ±.03  
None = ±.06  
∠ = ±0.5°  
Dimension Formatted in/[mm]

The copyright of this drawing is reserved by HellermannTyton. It is issued on condition that it is not reproduced, copied, or disclosed to a third party, either wholly or in part, without the consent of HellermannTyton.

Drawn	GRW	6/29/2016
Approved	KAC	6/29/2016

**HellermannTyton**  
North America  
Email: corp@htamericas.com  
Web: www.hellermann.tyton.com

Article/Type-No	VFAP6S_	Scale	1:1	
Title	<b>FT ADAPTER PANEL WITH 6 ST CONNECTORS</b>		Project Number	PRP 16-1269
Drawing-No	<b>16-1269-001-CSU</b>		Format	AH
PRODUCTION : Phase			Sheet	1/1