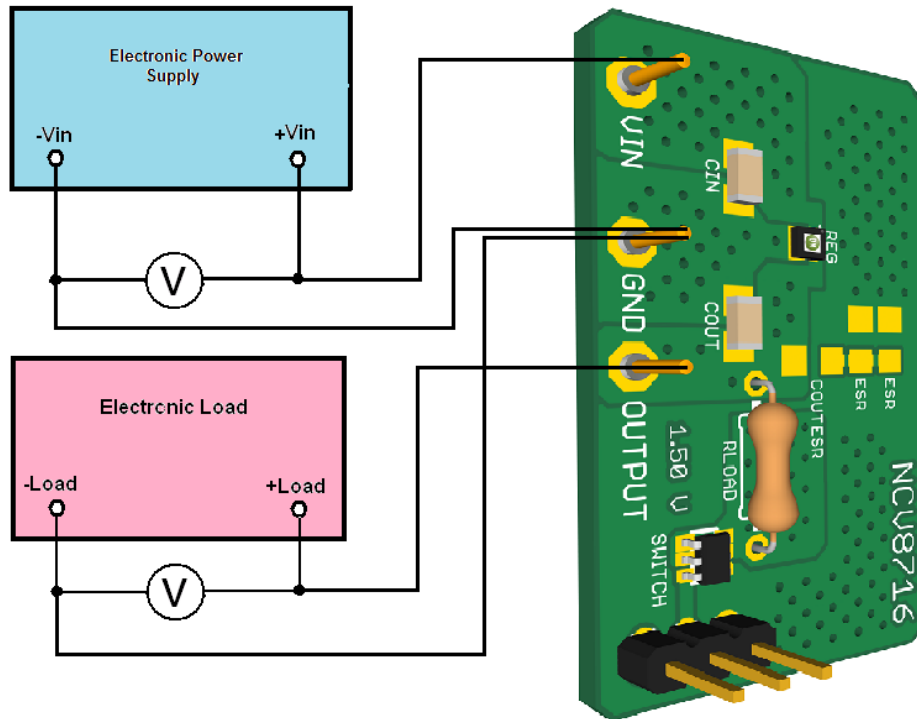




Test Procedure for the NCV8716MTTBGEVB Evaluation Board



Test procedure:

1. Check the Voltage Version (It is mentioned next to OUTPUT terminal on the demoboard.)
2. Connect the test setup as shown Figure above
3. Apply an input voltage **Vin = 6.0 V**
4. Apply $I_{out} = 0\text{mA}$ load.
5. Check that Vout is:
 - 1.5 V +/-2% for 1.5 V voltage version**
 - 1.8 V +/-2% for 1.8 V voltage version**
 - 2.5 V +/-2% for 2.5 V voltage version**
 - 3.0 V +/-2% for 3.0 V voltage version**
 - 3.3 V +/-2% for 3.3 V voltage version**
 - 5.0 V +/-2% for 5.0 V voltage version**
6. Increase I_{out} up to **80 mA**



7. Check that V_{out} is :

- 1.5 V +/-2% for 1.5 V voltage version**
- 1.8 V +/-2% for 1.8 V voltage version**
- 2.5 V +/-2% for 2.5 V voltage version**
- 3.0 V +/-2% for 3.0 V voltage version**
- 3.3 V +/-2% for 3.3 V voltage version**
- 5.0 V +/-2% for 5.0 V voltage version**

8. Increase V_{in} up to **24.0 V** and decrease the load in accordance with **Safe Operation Area**

9. Power down the Load

10. Power down the V_{cc}

11. End of test