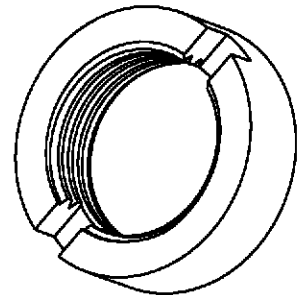
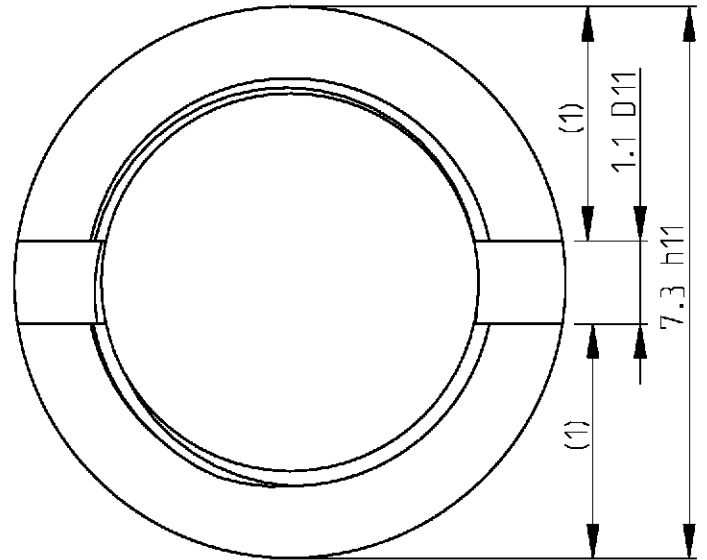
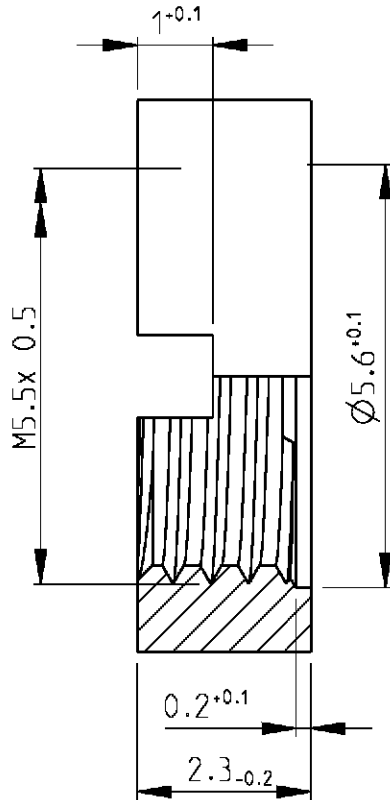


LOC	DIST	REVISIONS				
P	LTR	DESCRIPTION	DATE	DWN	APVD	
GW	-	A	-	18APR2001	BL KM	



5:1



1:1



Cross reference table		
Old part number	Tyco part number	Plating
C42334-A285-C7	1-1393562-7	Ni

2000

RELEASED FOR PUBLICATION

THIS DRAWING IS UNPUBLISHED.

© COPYRIGHT 2000 BY TYCO ELECTRONICS CORPORATION. ALL RIGHTS RESERVED.

DIMENSIONS: mm	DWN B. Lenvain	18APR2001	MATERIAL	-	FINISH	-
	CHK K. Mattheeuws	-	Tyco Electronics Oostkamp - Belgium			
TOLERANCES UNLESS OTHERWISE SPECIFIED:	APVD R. Leeman	-				
0 PLC ±	PRODUCT SPEC	-	SIZE			
1 PLC ±	APPLICATION SPEC	-	CAGE CODE			
2 PLC ±	WEIGHT	-	DRAWING NO			
3 PLC ±			RESTRICTED TO			
4 PLC ±			A 4 00779 C=1-1393562-7			
ANGLES ±			SCALE			
	CUSTOMER DRAWING		5/1			
			SHEET 1 OF 1			
			REV A			