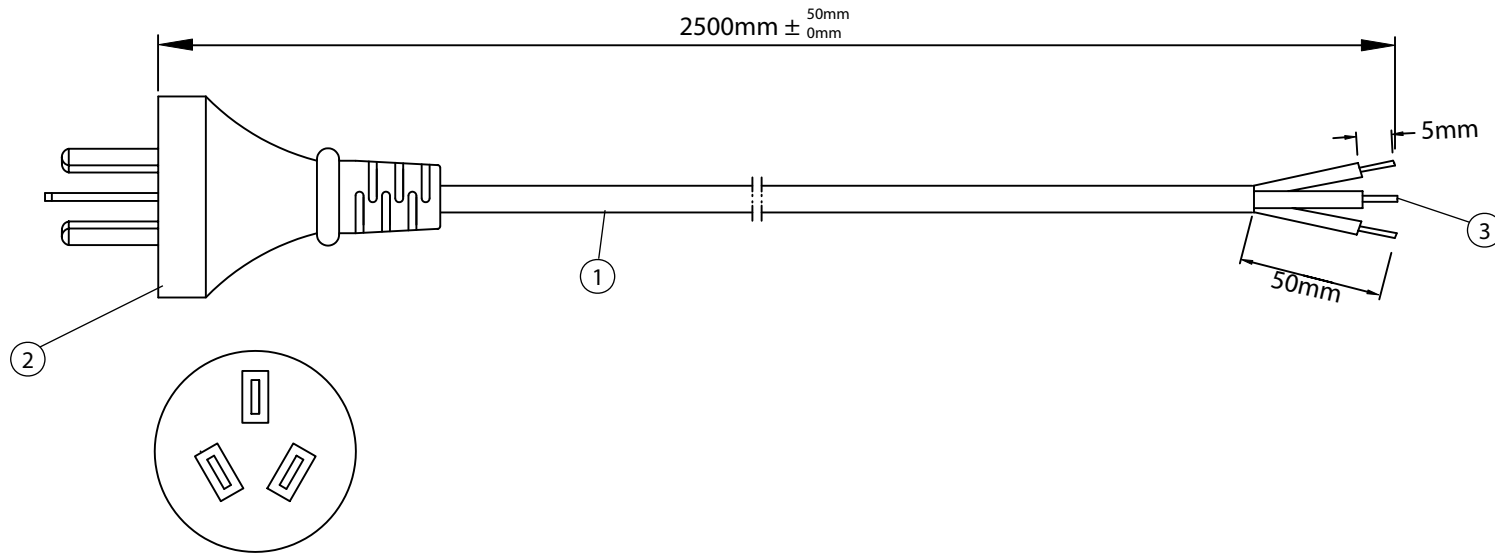


THESE DRAWINGS ARE THE PROPERTY OF QUALTEK ELECTRONICS AND NOT TO BE REPRODUCED FOR OR COMMUNICATED TO A THIRD PARTY WITHOUT THE EXPRESS WRITTEN PERMISSION OF AN OFFICER OF QUALTEK ELECTRONICS.

| REVISION |             |      |          |
|----------|-------------|------|----------|
| REV.     | DESCRIPTION | DATE | APPROVED |
|          |             |      |          |
|          |             |      |          |
|          |             |      |          |



NOTES:

1. CORDAGE: RVV, 3 x 1.0mm<sup>2</sup>, UNSHIELDED, CEE COLOR CODE, TEMP. RATING: 70°C, RATING: 250V 10A, JACKET COLOR: BLACK
2. PLUG: GB 2099 GB 1002
3. OTHER END: ROJ 50mm, STRIP 5mm
4. APPROVALS: CCC
5. ROHS COMPLIANT

**CONTROLLED**

| Dim range (mm) |  | Tolerance +/- (mm) |  | Qualtek Electronics Corp.<br>PPC DIVISION   |                |                 |
|----------------|--|--------------------|--|---|----------------|-----------------|
| 0-1            |  | 0.15               |  | Part Number: 399011-01 <span style="border: 1px solid green; padding: 2px;">RoHS Compliant</span> |                |                 |
| 1-6            |  | 0.20               |  | Description: POWER CORD   |                |                 |
| 6-18           |  | 0.30               |  | UNIT: mm  |                |                 |
| 18-50          |  | 0.50               |  |   |                |                 |
| 50-120         |  | 0.70               |  | Drawn / Date  | Checked / Date | Approved / Date |
| 120-250        |  | 0.90               |  | R. Nuti<br>10-17-11   | 10-17-11       | LY / 10-17-11   |
| 250-500        |  | 1.20               |  |   |                |                 |