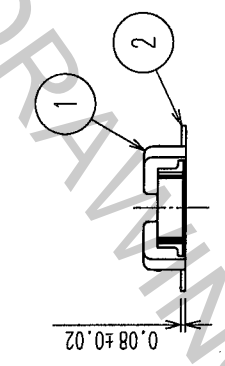
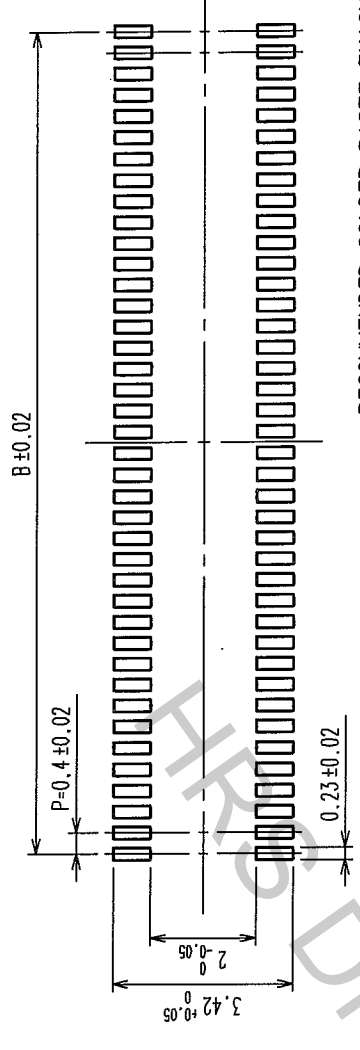
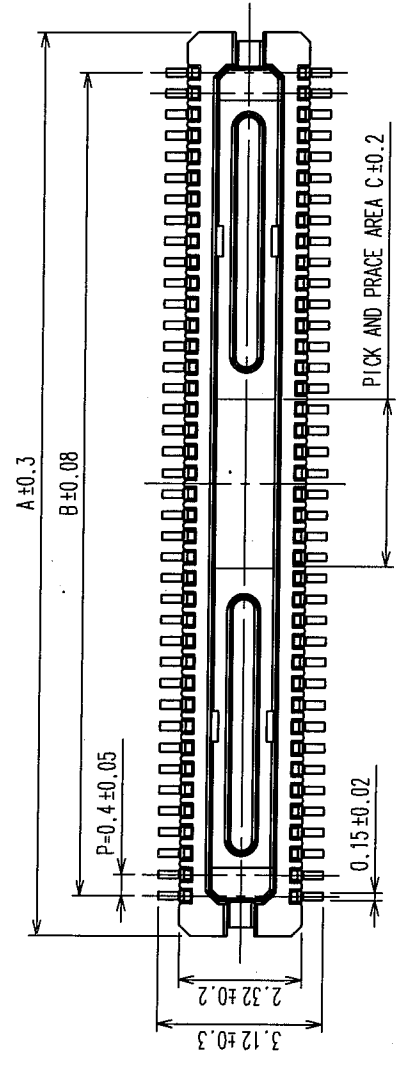


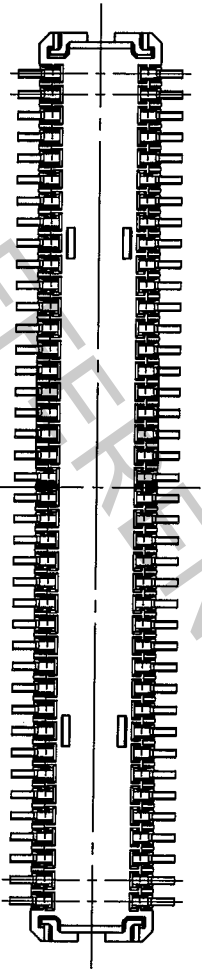
COUNT	DESCRIPTION OF REVISIONS	BY	CHKD	DATE	COUNT	DESCRIPTION OF REVISIONS	BY	CHKD	DATE
△					△				
△					△				
△					△				



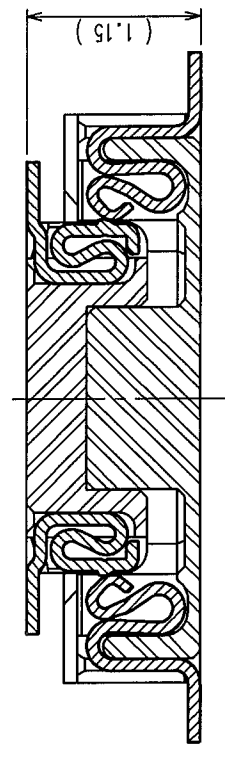
RECOMMENDED SOLDER PASTE: THICKNESS 120 μm

RECOMMENDED METAL MASK OPENING DIMENSIONS FOR LEAD PAD (20:1)

A-A(20:1)



ENGAGEMENT FIGURE(20:1)



- NOTE 1. ALL LEADS CO-PLANARITY SHALL BE 0.1 MAX.
 2. PER REEL : 1000 CONNECTORS.
 3. AT THE BEGINNING OF THE REEL, 100 mm AT MIN SHALL BE EMPTY POCKETS.
 AT THE END OF THE REEL, 160 mm AT MIN SHALL BE EMPTY POCKETS.
 4. NO CAVITY ON THE CONNECTORS LESS THAN 24 POS.
 5. CONTACT PLATING SPECIFICATIONS.

CONTACT AREA : GOLD 0.05 μm MIN.
 SMT LEAD : GOLD 0.02 μm MIN.
 UNDERPLATING : NICKEL 1 μm MIN.
 (SURFACE : SEALING)

PART NO.	CODE NO.	A	B	C
DF30CJ-800P-0.4V(82)	CL684-1156-8-82	17.14	15.6	3.2
DF30CJ-700P-0.4V(82)	CL684-1155-5-82	15.14	13.6	2.8
DF30CJ-600P-0.4V(82)	CL684-1154-2-82	13.14	11.6	2.4
DF30CJ-500P-0.4V(82)	CL684-1153-0-82	11.14	9.6	2
DF30CJ-400P-0.4V(82)	CL684-1152-7-82	9.14	7.6	1.6
DF30CJ-340P-0.4V(82)	CL684-1151-4-82	7.94	6.4	1.36
DF30CJ-300P-0.4V(82)	CL684-1150-1-82	7.14	5.6	1.2
DF30CJ-240P-0.4V(82)	CL684-1149-2-82	5.94	4.4	1.2
DF30CJ-220P-0.4V(82)	CL684-1148-0-82	5.54	4.0	1.2
DF30CJ-200P-0.4V(82)	CL684-1147-7-82	5.14	3.6	1.2

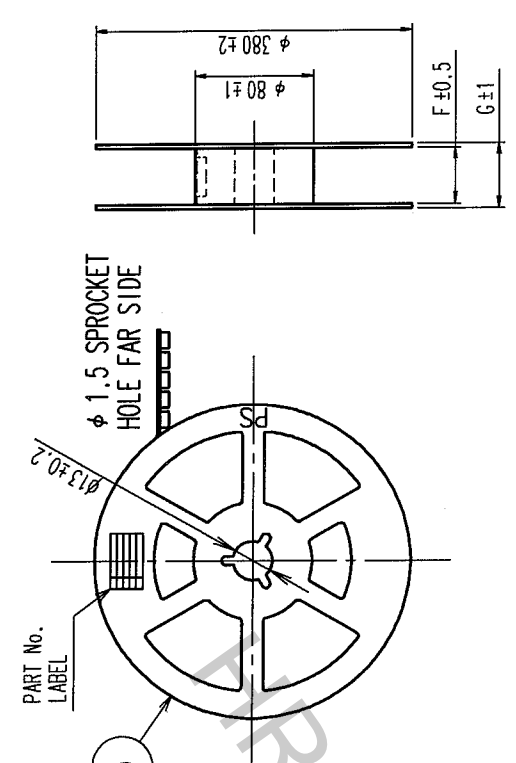
NO.	MATERIAL	FINISH, REMARKS	DRAWN	DESIGNED	CHECKED	APPROVED	RELEASED
2	PHOSPHOR BRONZE	5					
1	LCP	UL94V-0, BLACK					
3	PS	CLEAR(COVER TAPE)					
4	POLYESTER	BLACK(PLASTIC REEL)					
5	PS	CLEAR(COVER TAPE)					

DRAWN	F. Matsuki	DESIGNED	A. Takahashi	CHECKED	T. Miyayaki	APPROVED	J. Oka
CODE NO. (OLD)		CODE NO.		DATE		DATE	
				'05.03.08	'05.03.09	'05.03.09	'05.03.09

DRAWING NO.	EDC3-304055-01	PART NO.	DF30CJ-*DP-0.4V(82)
SCALE	FREE	CODE NO.	CL684-*****-82
UNITS	mm		

COUNT	DESCRIPTION OF REVISIONS	BY	CHKD	DATE	COUNT	DESCRIPTION OF REVISIONS	BY	CHKD	DATE

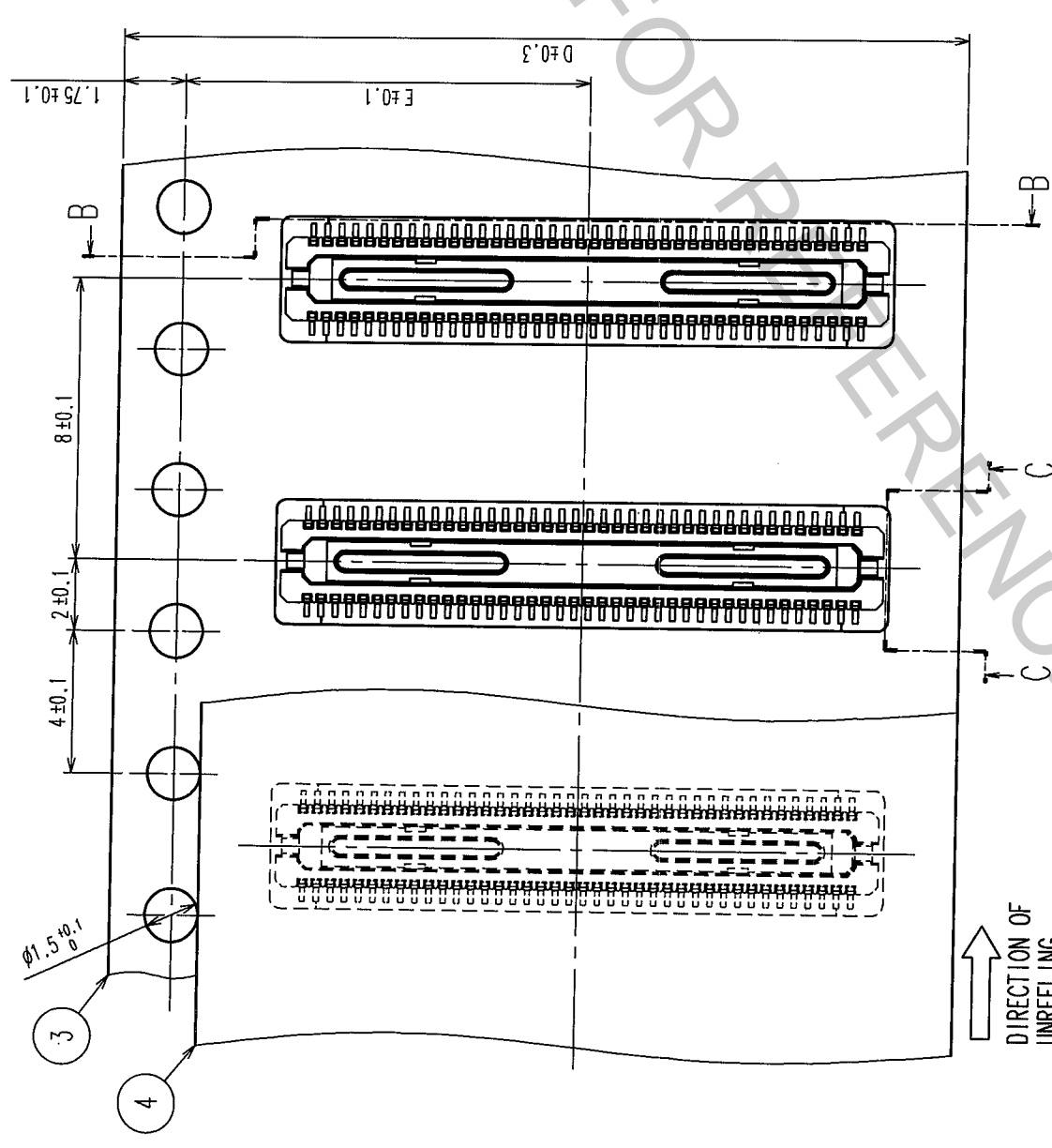
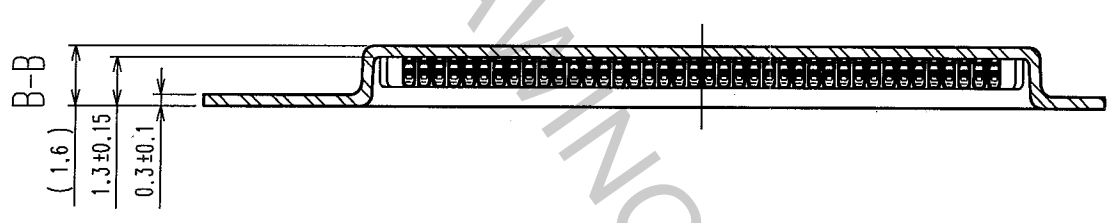
STYLE AND DIMENSION OF REEL (FREE SIZE)



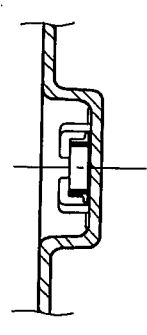
DETAIL OF PART NO. LABEL

SUPPLIER	年 月 日
QUANTITY	年 月 日
PART NO.	CL684-*****-82
CODE NO.	DF30CJ-***DP-0.4V(82)
DATE OF MANUFACTURE	
生産月日	年 月 日
図番	CL684-*****-82
品名	DF30CJ-***DP-0.4V(82)
納入数量	1000個
納入者	ヒロセ電機(株)

PART No.	CODE No.	D	E	F	G
DF30CJ-80DP-0.4V(82)	CL684-1156-8-82	24	11.5	25.5	29.5
DF30CJ-70DP-0.4V(82)	CL684-1155-5-82	24	11.5	25.5	29.5
DF30CJ-60DP-0.4V(82)	CL684-1154-2-82	24	11.5	25.5	29.5
DF30CJ-50DP-0.4V(82)	CL684-1153-0-82	24	11.5	25.5	29.5
DF30CJ-40DP-0.4V(82)	CL684-1152-7-82	16	7.5	17.5	21.5
DF30CJ-34DP-0.4V(82)	CL684-1151-4-82	16	7.5	17.5	21.5
DF30CJ-30DP-0.4V(82)	CL684-1150-1-82	16	7.5	17.5	21.5
DF30CJ-24DP-0.4V(82)	CL684-1149-2-82	16	7.5	17.5	21.5
DF30CJ-22DP-0.4V(82)	CL684-1148-0-82	16	7.5	17.5	21.5
DF30CJ-20DP-0.4V(82)	CL684-1147-7-82	16	7.5	17.5 <td 21.5	



C-C



↑ DIRECTION OF UNREELING

CODE NO. (OLD)		DRAWN	F. Matsuki	DESIGNED	A. Takahashi	CHECKED	J. Oga	APPROVED	J. Oga	RELEASED
			'05.03.08		'05.03.08		'05.03.09		'05.03.09	
DRAWING NO.	EDC3-304055-01	PART NO.	DF30CJ-***DP-0.4V(82)							
SCALE	5 : 1	CODE NO.	CL684-*****-82							
UNITS	mm									

TO	