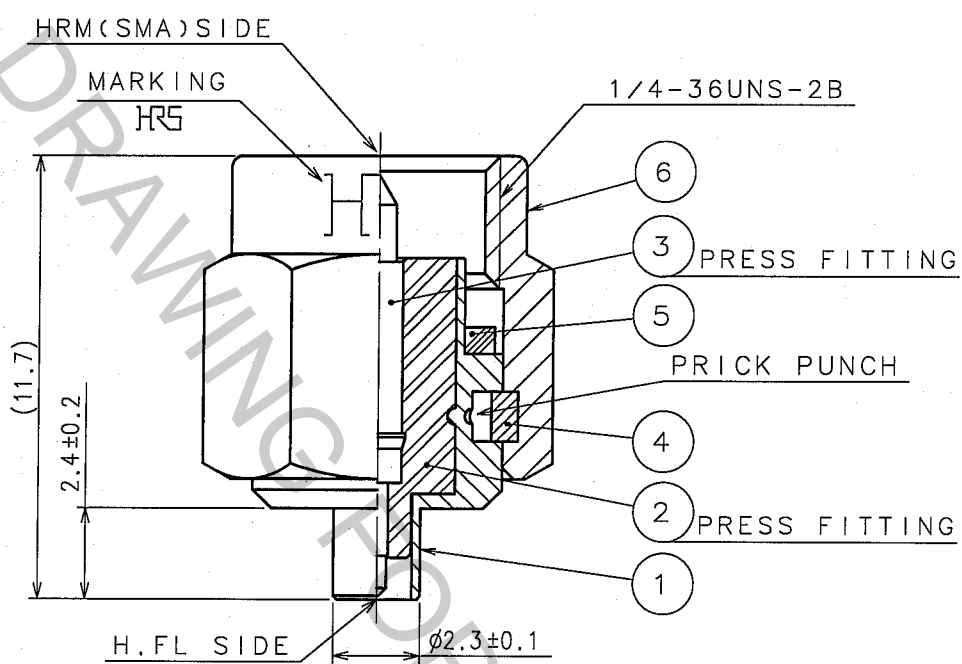
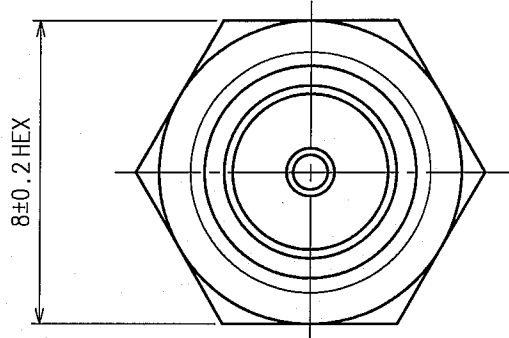


1		2			3			4		
COUNT	DESCRIPTION OF REVISIONS	BY	CHKD	DATE	COUNT	DESCRIPTION OF REVISIONS	BY	CHKD	DATE	
△					△					
△					△					
△					△					



NOTE. USE ONLY FOR ELECTRICAL MEASUREMENT
BECAUSE OF NO LOCKING DEVICE IN MATING
PORTION ON H.FL SIDE.

3	BRASS	GOLD PLATING	6	STAINLESS STEEL	PASSIVATE
2	PTFE		5	SILICONE RUBBER	(RED)
1	STAINLESS STEEL	NICKEL PLATING	4	BERYLLIUM COPPER	NICKEL PLATING
NO.	MATERIAL	FINISH, REMARKS	NO.	MATERIAL	FINISH, REMARKS

CODE NO.(OLD) CL		DRAWN	DESIGNED	CHECKED	APPROVED	RELEASED
RoHS COMPLIANT		<i>M. Kaneko</i>	<i>T. Katayama</i>	<i>H. Shimizu</i>	<i>J. Mitani</i>	
		05.9.5	05.9.13	05.09.13	05.09.14	
DRAWING NO. EDC4-047043-40		PART NO. HRMP-H.FLJ(40)				
SCALE 5 : 1		CODE NO. CL311-0232-4-40				
UNITS mm						
HRS HIROSE ELECTRIC CO.,LTD.						

TO
RF