

4

3

2

1

THIS DRAWING IS UNPUBLISHED.

RELEASED FOR PUBLICATION

,19

© COPYRIGHT 19

BY AMP INCORPORATED. ALL RIGHTS RESERVED.

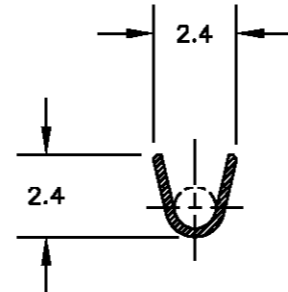
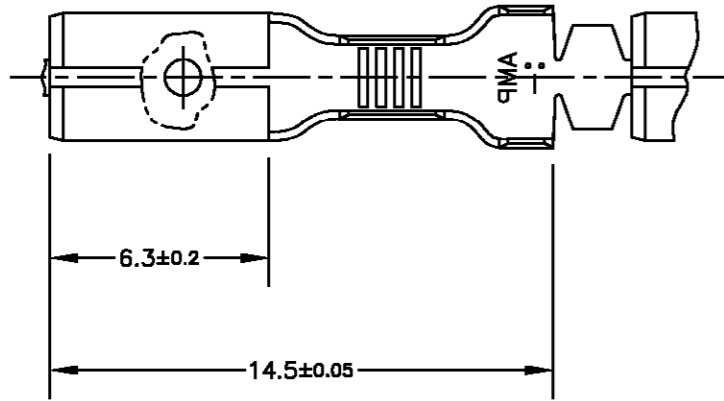
CAD
DO NOT REVISE
EXCEPT BY CAD

LOC
AP

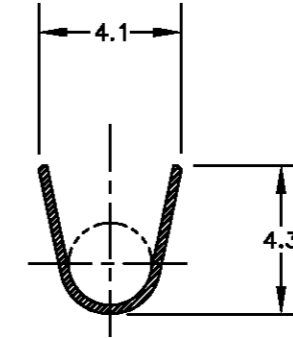
DIST
-

REVISIONS

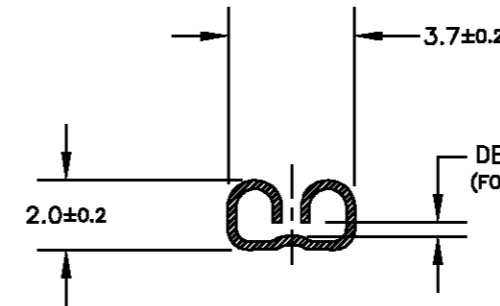
P	LTR	LT	DESCRIPTION	DESRIÇÃO	DATE	DWN	DES	APVD	APR
E			REVISED BY ECLB080/02		07MAY02	AP		PLF	
E1			REVISED PER ECO-09-026444		28NOV09	KK		AEG	



SECTION A-A

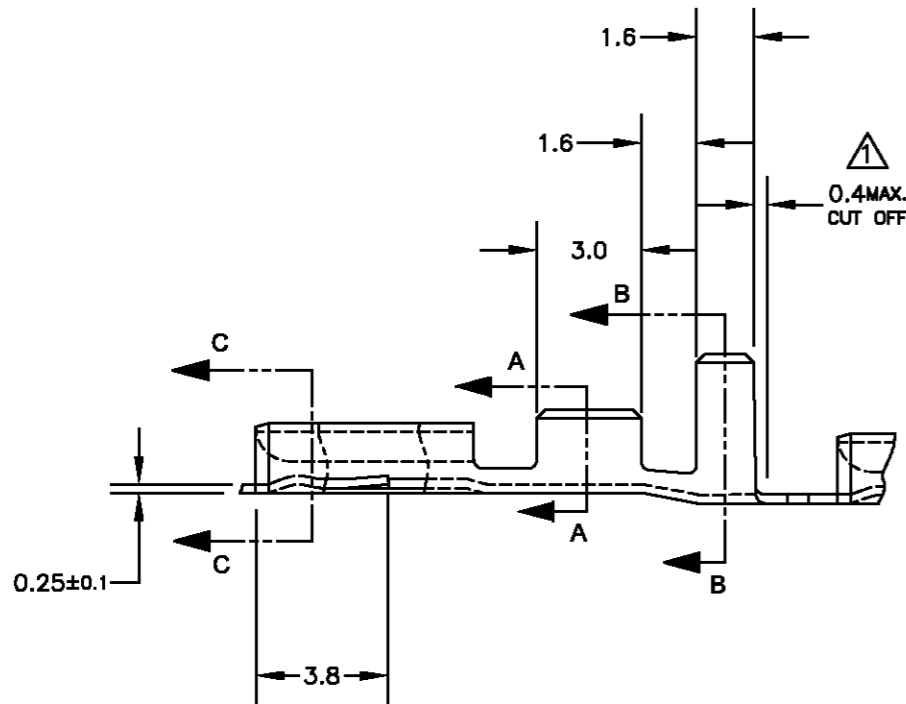


SECTION B-B



SECTION C-C

PARA LINGUETA
DE ESPESSURA "A"
(FOR TAB WITH "A" THK.)



2
OBSOLETE

INS. RANGE 2,0 - 2,7 mm	WIRE RANGE 0,5 - 1,0 mm ²
THIS DRAWING IS A CONTROLLED DOCUMENT.	
DIMENSIONS: DIMENSÕES MM	TOLERANCES UNLESS OTHERWISE SPECIFIED: TOLERÂNCIA NCO ESPECIFICADAS
	0 PLC/DEC ± - 1 PLC/DEC ± 0,3 2 PLC/DEC ± - 3 PLC/DEC ± - 4 PLC/DEC ± - ANGLES/ANGULARES ± 1°
MATERIAL SEE TABLE	FINISH ACABAMENTO SEE TABLE

0,4	---	LATÃO / BRASS	1-881608-1
0,4	---	BRONZE FOSF. / PHOSP. BRONZE	881608-7
0,5	ESTANHADO / TIN PLATED	LATÃO / BRASS	881608-6
0,5	---	LATÃO / BRASS	881608-5
0,5	PRATEADO / SILVER PLATED	LATÃO / BRASS	881608-4
0,5	---	BRONZE FOSF. / PHOSP. BRONZE	881608-3
0,5	ESTANHADO / TIN PLATED	LATÃO / BRASS	881608-2
0,5	---	LATÃO / BRASS	881608-1
"A"	FINISH	MATERIAL	PART NUMBER

- PEÇA SOLTA. - LOOSE PIECE.

OBSOLETE PARTS: OBSOLETE CIS STREAMLINING PER D.RENAUD/D.SINISI

DWN/DES A.PERUSSI 07MAY2002		AMP do Brasil Ltda. São Paulo, Brasil	
CHK/CH P.L.FARIA 07MAY2002		AMP	
APVD/APR L.W.PRADO 07MAY2002		NAME DESRIÇÃO	
PRODUCT SPEC 108-37014		.110 SERIES FASTON RECEPTACLE	
APPLICATION SPEC 114-2036		SIZE A3	CAGE CODE 00779
WEIGHT -/-		DRAWING NO DESENHO NO C-881608	RESTRICTED TO -/-
CUSTOMER DRAWING/DESENHO DE CLIENTE		SCALE ESCALA 5:1	SHEET FOLHA 1 OF 1
		REV E1	