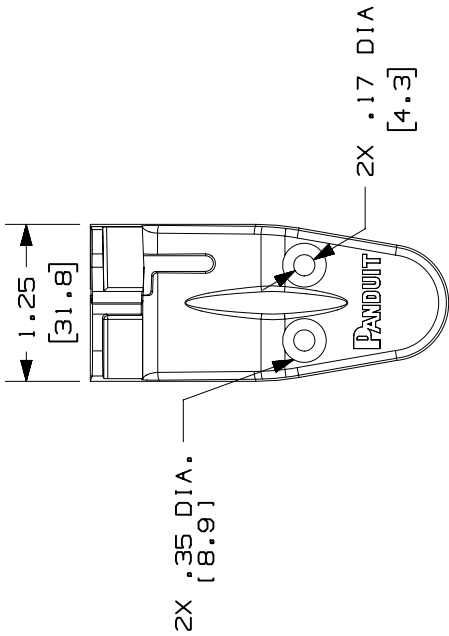
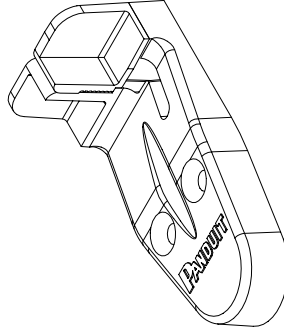
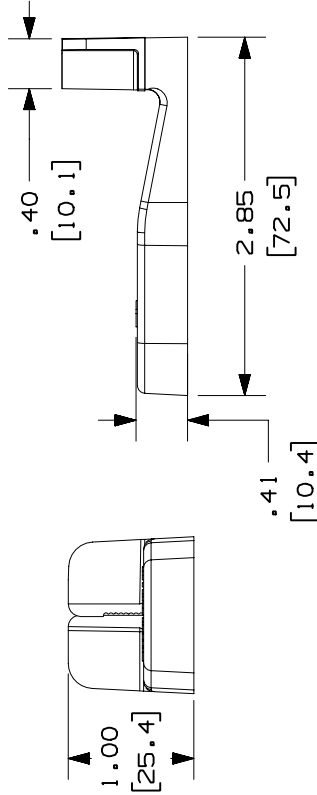


THIS COPY IS PROVIDED ON A RESTRICTED BASIS AND IS NOT TO BE USED IN ANY WAY DETRIMENTAL TO THE INTERESTS OF PANDUIT CORP.



PANDUIT P/N	WEIGHT
WPT-8	.26 LB/10 PCS. (118 G/10 PCS.)

- NOTES:**
- SEE CURRENT CATALOG FOR ADDITIONAL PART NUMBER SUFFIXES TO INDICATE PACKAGE QUANTITY.
  - SEE CATALOG FOR COMPLETE LIST OF PARTS APPLICABLE FOR USE WITH THIS PART.
  - USED TO PREPARE 24 AWG COPPER CONDUCTORS FOR PLUG TERMINATION.
  - THIS TOOL IS USED WITH THE MP588-L OR MP588-M. USED TO HELP HOLD THE WIRES FOR EASIER FEED THROUGH INTO MODULAR PLUG.
  - DIMENSIONS IN PARENTHESES ARE IN METRIC.



CAD FILENAME/LAYERS		D35558BH_DC_HTDRAFT_00A.PRT	
<b>PANDUIT</b>		CORP. TINLEY PARK, ILLINOIS	
<b>WIRE PREPARATION TOOL (WPT-8)</b>		CUSTOMER DRAWING	
UNLESS OTHERWISE SPECIFIED, DIMENSIONAL TOLERANCES ARE: (.X) ± (.XXX) ±.010 (.3) (.XX) ±.03 (.8) ANGLES ±		UNLESS OTHERWISE SPECIFIED, ALL DIMENSIONS ARE GIVEN IN INCHES, THIRD ANGLE PROJECTION.	
DRAWN BY	JBA	MAT'L:	NONE
DATE	7-03-97	ABS	
CHECKED BY			
REV	R	DATE	7-03-97
BY	JBA	DESCRIPTION	RELEASED TO PRODUCTION.
CHK		ECN	35558-08
		CUST	
		SUP	
DRAWING NO.		35558-08	
DWG		A	
SIZE		A	