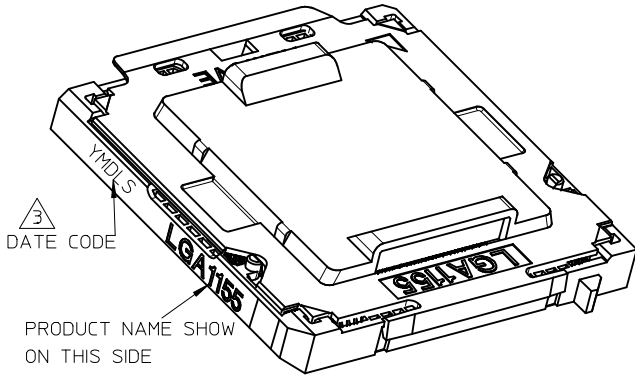
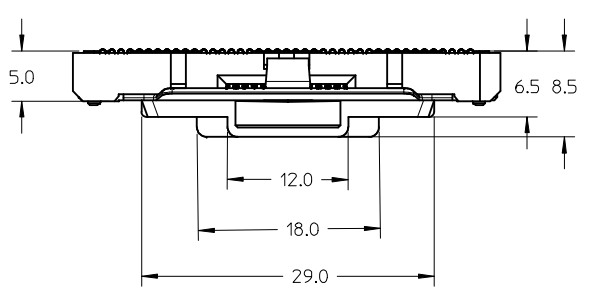
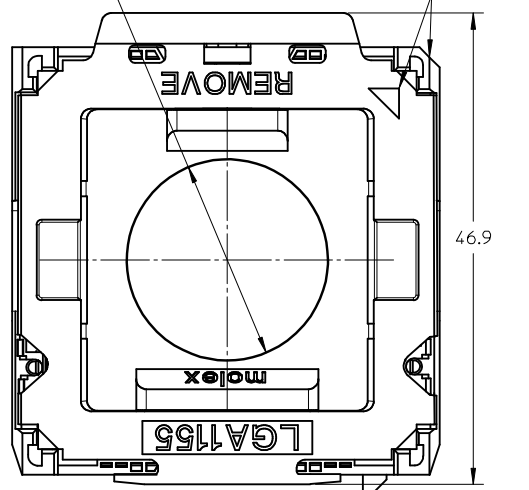


10 9 8 7 6 5 4 3 2 1

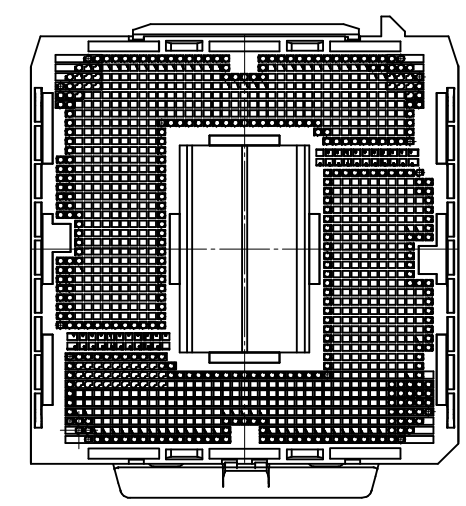
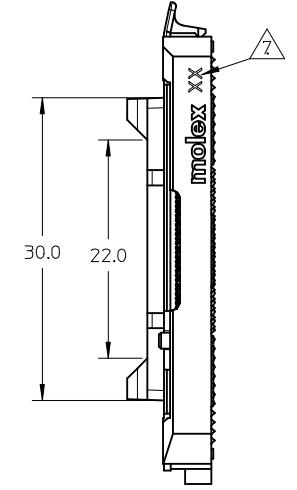


- NOTES:
- MATERIAL:
HOUSING AND CAP: HIGH TEMPERATURE THERMOPLASTIC, UL94V-0
CONTACT: HIGH STRENGTH COPPER ALLOY
SOLDER BALL: LEAD FREE SnAg3.0Cu0.5
 - PLATING:
50u" MIN. NICKEL AT PADDLE AND CONTACT AREA.
GOLD PLATING THICKNESS AT CONTACT AREA REFER TO TABLE.
 - DATE CODE "YMDLS" IS DEFINED AS:
"YEAR/MONTH/DAY/**".("***" IS MOLEX INTERNAL CONTROLLED).
 - 47596**** COMPLIANT TO RoHS DIRECTIVE 2002/95/EC AND ELV DIRECTIVE 2000/53/EC.
 - PRODUCT SPECIFICATION PS-47596-001 APPLIES.
 - PACKAGE DRAWING PK-47596-001 APPLIES.
 - "XX" IS FOR CAVITY # (MOLEX INTERNAL USE)

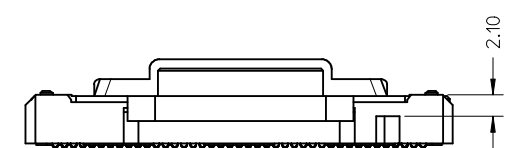
Ø 20
PICK AND PLACE
IN THIS ZONE



TOP VIEW

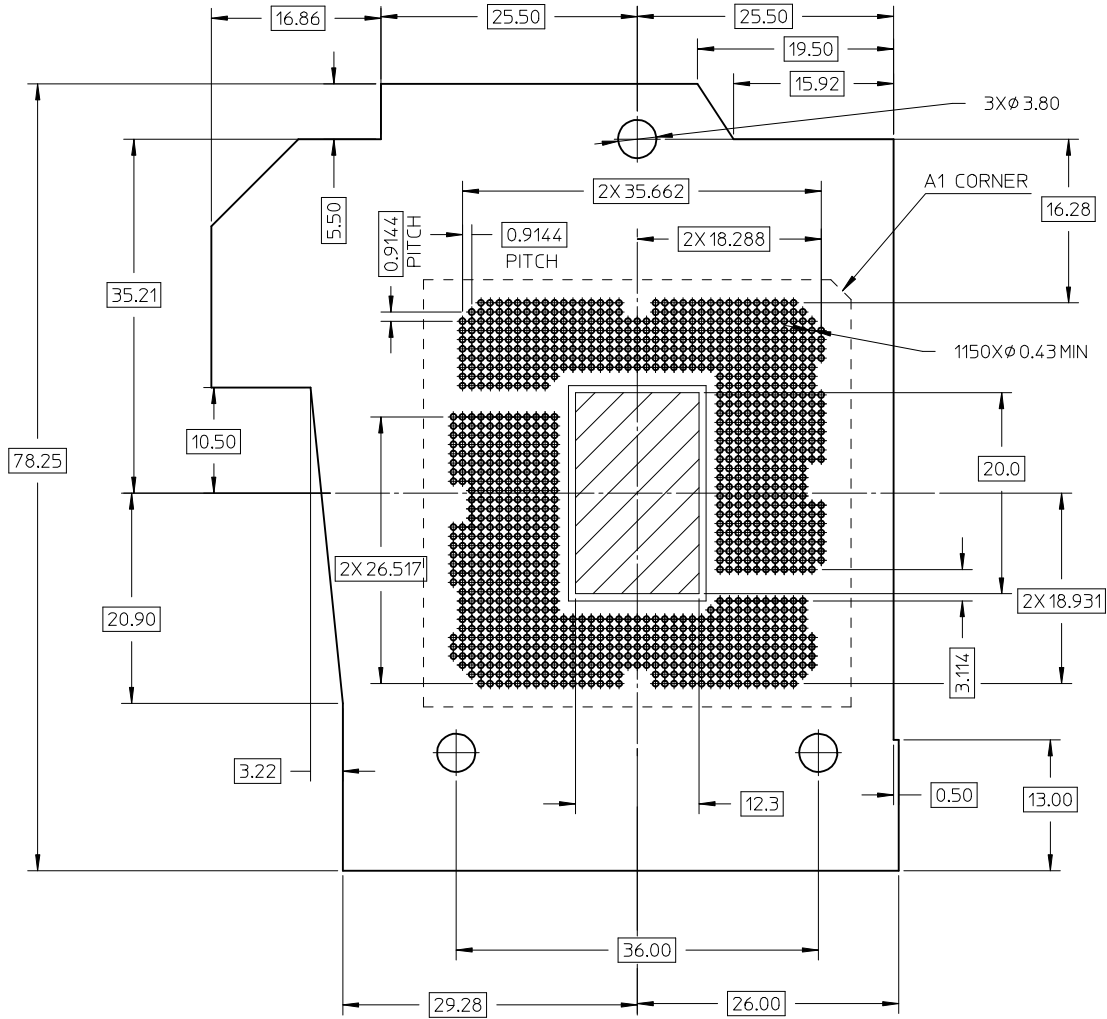


BOTTOM VIEW



ENTER DESCRIPTION EC NO: SH2013-0312 DRWN: YXZHENG 2013/03/28 CHKD: APPR: AY IN 2013/04/16	QUALITY SYMBOLS $F_A=0$ $F_G=0$ $F_P=0$	GENERAL TOLERANCES (UNLESS SPECIFIED)		DIMENSION STYLE	SCALE	DESIGN UNITS	THIRD ANGLE PROJECTION	
				IN/MM	2:1	INCH		
				DRAWN BY	DATE	TITLE		
				VLV	2008/12/11	LGA1155 SOCKET		
		4 PLACES ± --- ± ---		CHECKED BY	DATE	MOLEX INCORPORATED		
		3 PLACES ± --- ± ---		JKACHL IC	2008/12/11	MATERIAL NO. DOCUMENT NO.		
		2 PLACES ± 0.25 ± ---		APPROVED BY	DATE	SD-47596-200		
		1 PLACE ± 0.25 ± ---		SEE TABLE				
		ANGULAR ± 1 °		SIZE		SHEET NO.		
		DRAFT WHERE APPLICABLE MUST REMAIN WITHIN DIMENSIONS		A3		1 OF 3		
THIS DRAWING CONTAINS INFORMATION THAT IS PROPRIETARY TO MOLEX INCORPORATED AND SHOULD NOT BE USED WITHOUT WRITTEN PERMISSION								

9 8 7 6 5 4 3 2 1



PCB TOP SIDE KEEP OUT ZONE LAYOUT FOR REFERENCE

ENTER DESCRIPTION EC NO: SH2013-0312 DRWN: YXZHENG 2013/03/28 CHKD: CHYD APPR: AYIN 2013/04/16 REV	QUALITY SYMBOLS	GENERAL TOLERANCES (UNLESS SPECIFIED)	DIMENSION STYLE	SCALE	DESIGN UNITS	THIRD ANGLE PROJECTION																									
	$F_A = 0$ $F_C = 0$ $F_P = 0$	<table border="1"> <thead> <tr> <th></th> <th>mm</th> <th>INCH</th> </tr> </thead> <tbody> <tr> <td>4 PLACES</td> <td>± ---</td> <td>± ---</td> </tr> <tr> <td>3 PLACES</td> <td>± ---</td> <td>± ---</td> </tr> <tr> <td>2 PLACES</td> <td>± 0.25</td> <td>± ---</td> </tr> <tr> <td>1 PLACE</td> <td>± 0.25</td> <td>± ---</td> </tr> </tbody> </table>		mm	INCH	4 PLACES	± ---	± ---	3 PLACES	± ---	± ---	2 PLACES	± 0.25	± ---	1 PLACE	± 0.25	± ---	<table border="1"> <thead> <tr> <th>mm</th> <th>INCH</th> </tr> </thead> <tbody> <tr> <td>± 0.25</td> <td>± 0.010</td> </tr> <tr> <td>± 0.15</td> <td>± 0.006</td> </tr> <tr> <td>± 0.10</td> <td>± 0.004</td> </tr> <tr> <td>± 0.05</td> <td>± 0.002</td> </tr> </tbody> </table>	mm	INCH	± 0.25	± 0.010	± 0.15	± 0.006	± 0.10	± 0.004	± 0.05	± 0.002	IN/MM	2:1	INCH
		mm	INCH																												
	4 PLACES	± ---	± ---																												
3 PLACES	± ---	± ---																													
2 PLACES	± 0.25	± ---																													
1 PLACE	± 0.25	± ---																													
mm	INCH																														
± 0.25	± 0.010																														
± 0.15	± 0.006																														
± 0.10	± 0.004																														
± 0.05	± 0.002																														
	<table border="1"> <thead> <tr> <th>DESCRIPTION</th> <th>DATE</th> <th>TITLE</th> </tr> </thead> <tbody> <tr> <td>DRAWN BY VLV</td> <td>2008/12/11</td> <td rowspan="3">LGA155 SOCKET</td> </tr> <tr> <td>CHECKED BY JKACHLIC</td> <td>2008/12/11</td> </tr> <tr> <td>APPROVED BY</td> <td></td> </tr> </tbody> </table>	DESCRIPTION	DATE	TITLE	DRAWN BY VLV	2008/12/11	LGA155 SOCKET	CHECKED BY JKACHLIC	2008/12/11	APPROVED BY																					
DESCRIPTION	DATE	TITLE																													
DRAWN BY VLV	2008/12/11	LGA155 SOCKET																													
CHECKED BY JKACHLIC	2008/12/11																														
APPROVED BY																															
	DRAFT WHERE APPLICABLE MUST REMAIN WITHIN DIMENSIONS	MATERIAL NO. SEE TABLE DOCUMENT NO. SD-47596-200 SHEET NO. 3 OF 3	MOLEX INCORPORATED																												