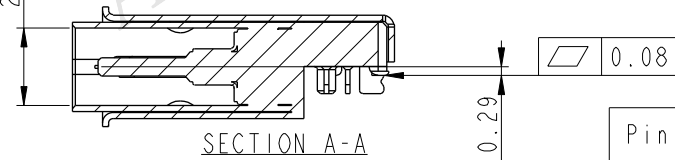
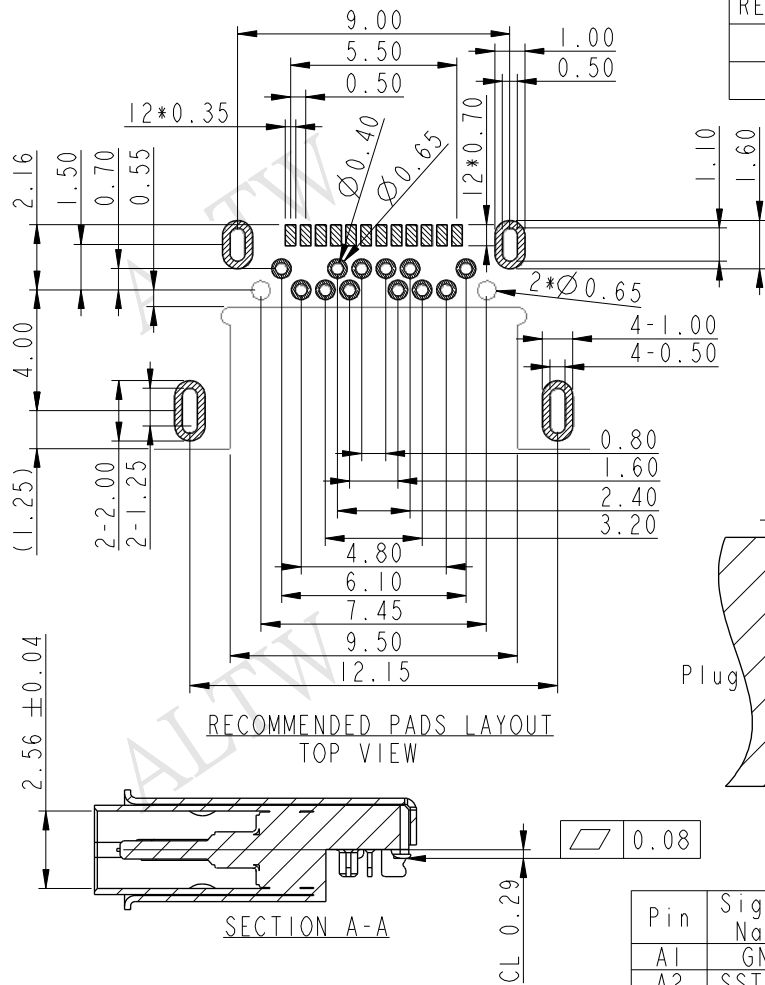
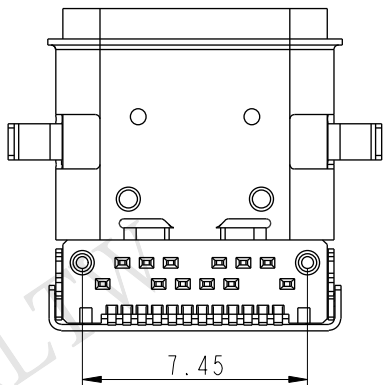
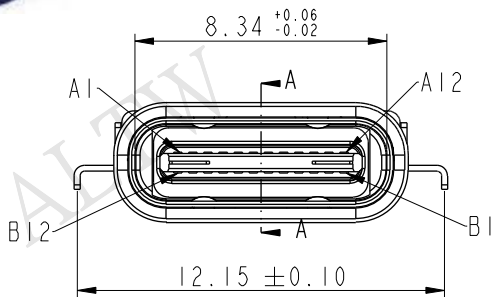
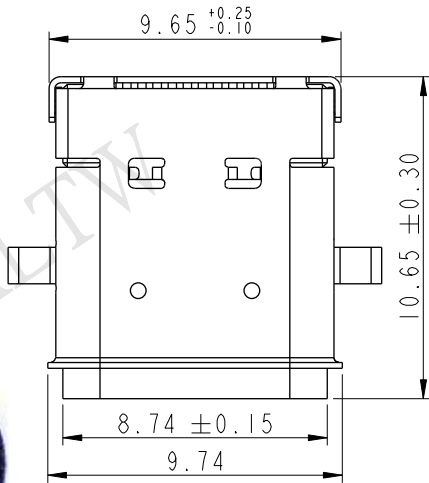
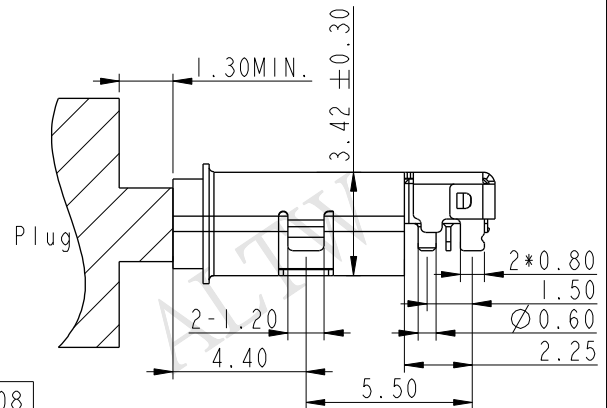
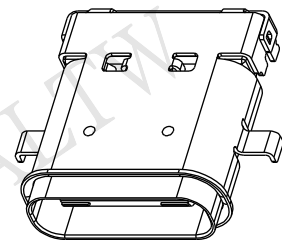


ALTW
CONFIDENTIAL
2018-05-07
R&D DEPT.

ALTW
DCC. DEPT.
CONFIDENTIAL
2018.05.29
ISSUED



| REV. | DESCRIPTION |
|------|-------------|
| A | New Initial |
| B | ⚠ *1 |



- Note:
- * IP: IP67
 - * Connecote: Thermoplastic
 - * Pin: Copper Alloy, 30u" Gold
 - * Shield: Stainless (Inner)
Stainless & Nickel Plating (Out)
 - * Operating Temperature: -40°C To +85°C

| Pin | Signal Name | Mating Sequence | Pin | Signal Name | Mating Sequence |
|-------|-------------|-----------------|-------|-------------|-----------------|
| A1 | GND | First | B12 | GND | First |
| A2 | SSTXp1 | Second | B11 | SSRXp1 | Second |
| A3 | SSTXn1 | Second | B10 | SSRXn1 | Second |
| A4 | Vbus | First | B9 | Vbus | First |
| A5 | CC1 | Second | B8 | SBU2 | Second |
| A6 | Dp1 | Second | B7 | Dn2 | Second |
| A7 | Dn1 | Second | B6 | Dp2 | Second |
| A8 | SBU1 | Second | B5 | CC2 | Second |
| A9 | Vbus | First | B4 | Vbus | First |
| A10 | SSRXn2 | Second | B3 | SSTXn2 | Second |
| A11 | SSRXp2 | Second | B2 | SSTXp2 | Second |
| A12 | GND | First | B1 | GND | First |
| SHELL | | GND | SHELL | | GND |

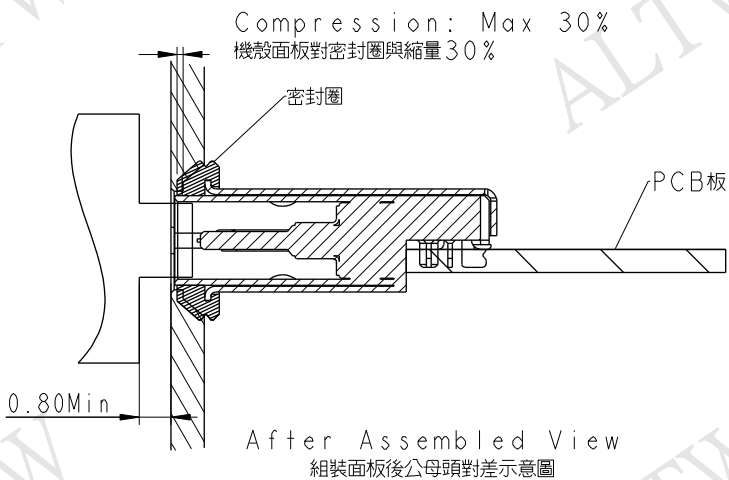
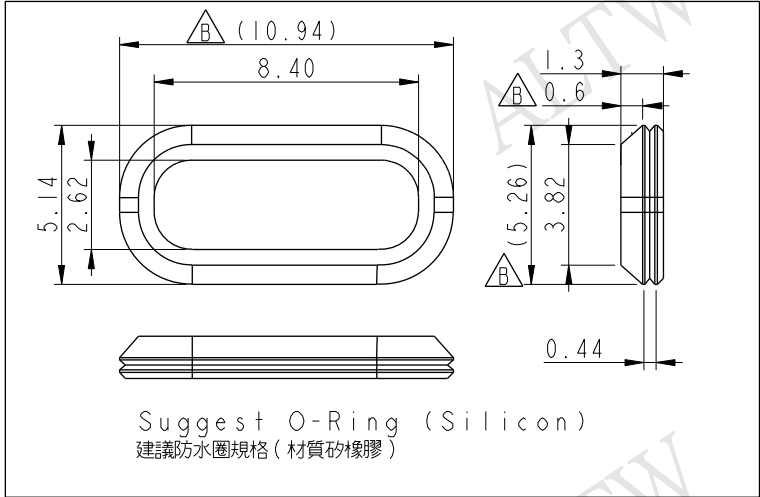
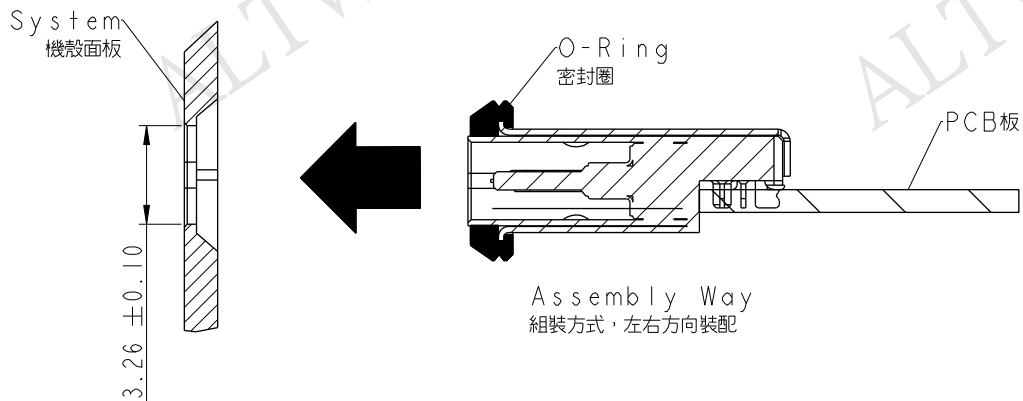
| | | | | | |
|-----------|---------|-------|---------------------|---------|-----|
| UNIT: mm | | TITLE | USB 3.1 C TYPE JACK | | |
| TOLERANCE | ±0.5 mm | SCALE | 4:1 | SIZE | A4 |
| | | REV. | B | WC-REV. | A.3 |
| | | SHEET | 1 | OF | 3 |
| | | QC | Inspection item | | |

Amphenol LTW
安費諾亮泰企業股份有限公司

| | | | | | |
|----------|------------------|-------------|-------|------|------------|
| ITEM NO | UC-31PFFH-QF7001 | DRAWN BY | Neo | DATE | 2018/05/07 |
| DWG NO | UC-31PFFH-QF7001 | CHECKED BY | Kelly | DATE | 2018/05/07 |
| CUSTOMER | ALTW | APPROVED BY | Max | DATE | 2018/05/07 |

THIS DOCUMENT IS SUBJECT TO CHANGE WITHOUT NOTICE. IT IS CONFIDENTIAL AND A PROPERTY OF Amphenol LTW. DISCLOSURE TO THIRD PARTY HAS TO BE AUTHORIZED BY Amphenol LTW.

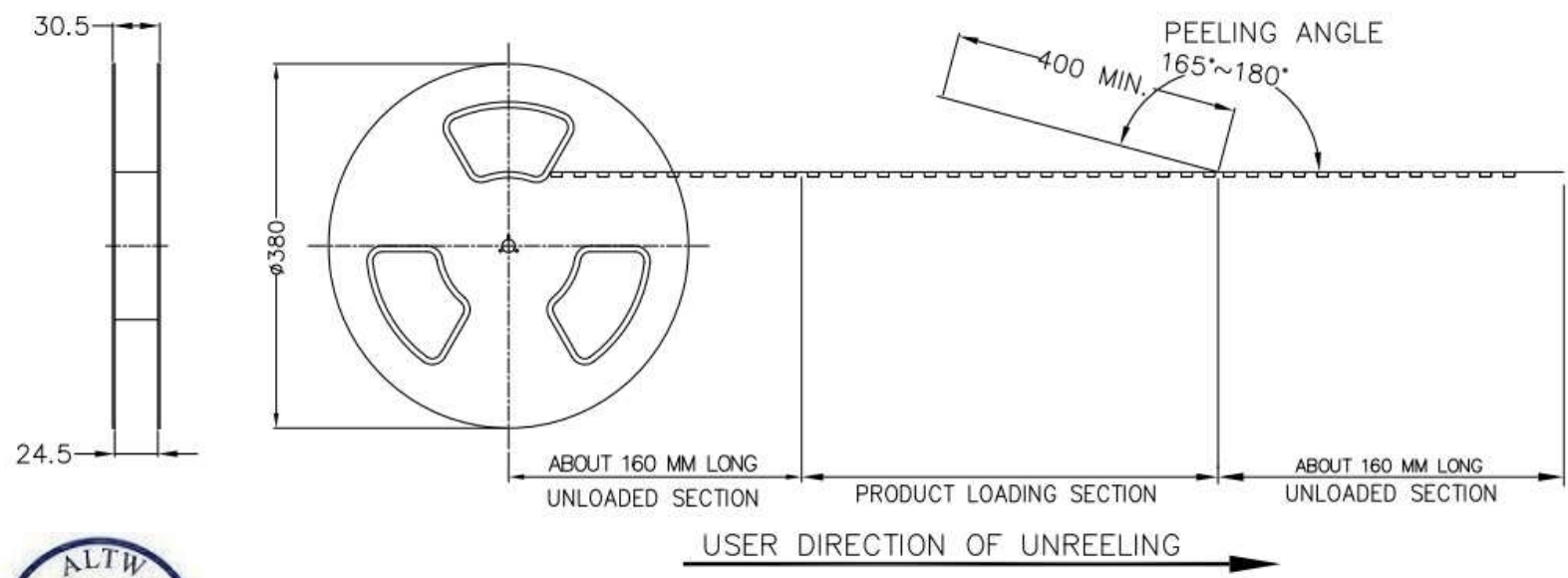
THIS DOCUMENT IS SUBJECT TO CHANGE WITHOUT NOTICE. IT IS CONFIDENTIAL AND A PROPERTY OF Amphenol LTW. DISCLOSURE TO THIRD PARTY HAS TO BE AUTHORIZED BY Amphenol LTW.



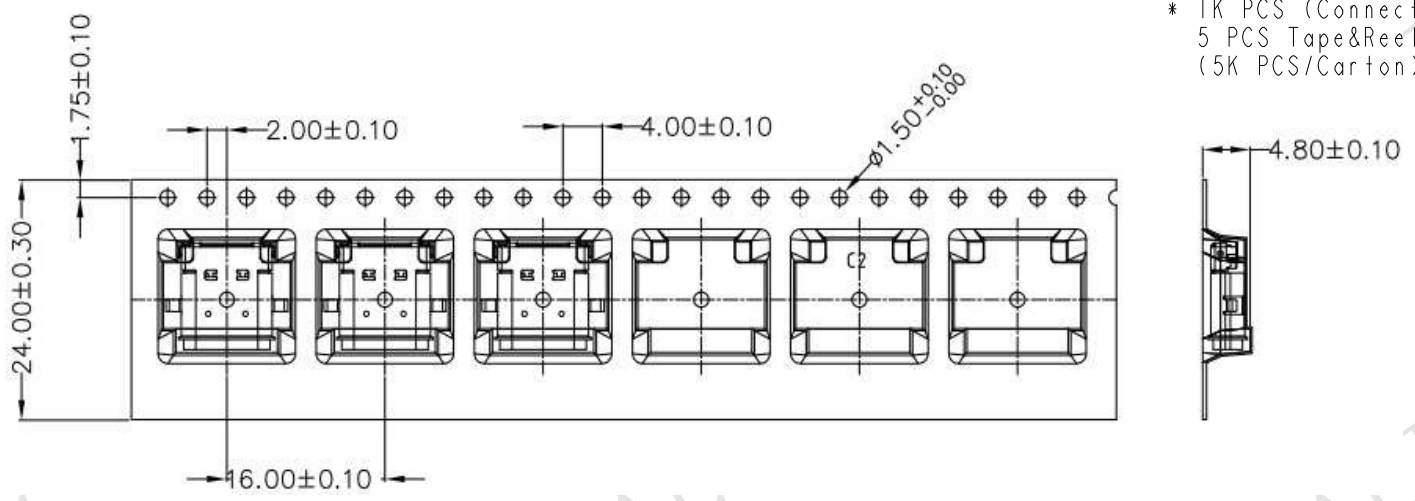
| | | | | | | | |
|---|----------------------|---------------------|-------------|--------------------|------------------|------------|------------|
| A | UNIT: mm | TITLE | | ITEM NO | | DRAWN BY | DATE |
| | TOLERANCE ±0.5 mm | USB 3.1 C TYPE JACK | | UC-31PFFH-QF7001 | | Neo | 2018/05/07 |
| | | SCALE 4:1 | SIZE A4 | SHEET 2 OF 3 | DWG NO | CHECKED BY | DATE |
| | | REV. B | WC-REV. A.3 | ☉: Inspection item | UC-31PFFH-QF7001 | Kelly | 2018/05/07 |
| | | | | CUSTOMER | APPROVED BY | DATE | |
| | | | | ALTW | Max | 2018/05/07 | |

Amphenol LTW
安費諾亮泰企業股份有限公司

THIS DOCUMENT IS SUBJECT TO CHANGE WITHOUT NOTICE. IT IS CONFIDENTIAL AND A PROPERTY OF Amphenol LTW. DISCLOSURE TO THIRD PARTY HAS TO BE AUTHORIZED BY Amphenol LTW.



* 1K PCS (Connector) In A Tape&Reel
5 PCS Tape&Reel In A Carton
(5K PCS/Carton)



UNIT:mm
TOLERANCE
 ± 0.5

| | | | |
|------------------------------|----------------|---------------------|--|
| TITLE USB 3.1 C TYPE JACK | | | |
| SCALE 3:1 | SIZE A4 | SHEET 3 OF 3 | |
| REV. B | WC-REV. A.3 | QC: Inspection item | |

Amphenol LTW
安費諾亮泰企業股份有限公司

| | | |
|-----------------------------|---------------------|--------------------|
| ITEM NO UC-31PFFH-QF7001 | DRAWN BY Neo | DATE 2018/05/07 |
| DWG NO UC-31PFFH-QF7001 | CHECKED BY Kelly | DATE 2018/05/07 |
| CUSTOMER ALTW | APPROVED BY Max | DATE 2018/05/07 |