

D

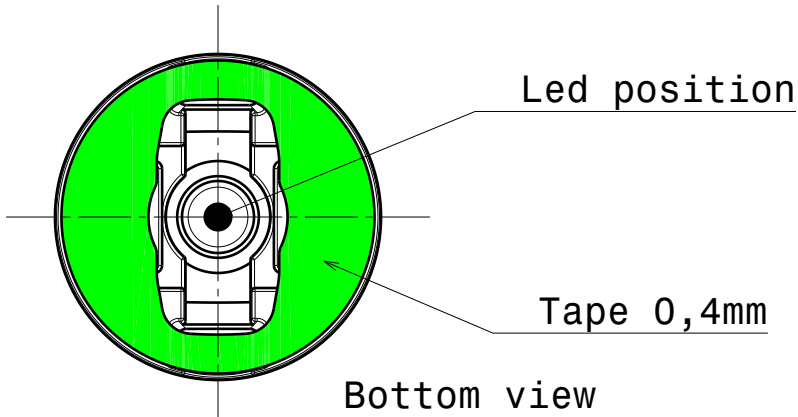
C

B

A

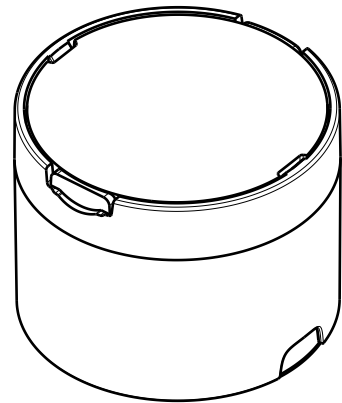
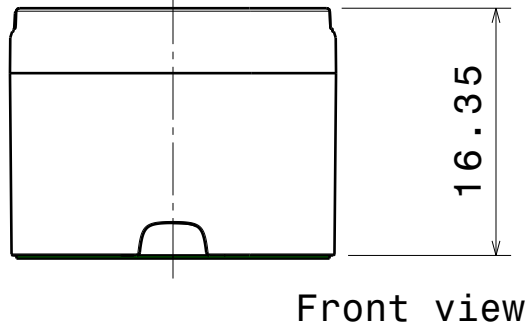
4

4



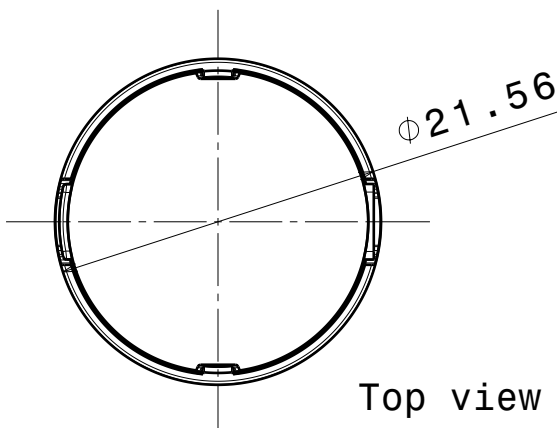
3

3



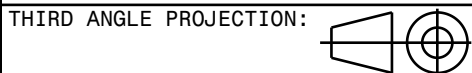
2

2



Tolerances if not otherwise shown  
According to DIN ISO 2768-1  
Linear measures:  
Up to 30mm class M, otherwise class C.  
According to DIN ISO 2768-2  
Form and position: class L

**LEDiL** Ledi Oy  
Salorankatu 10  
FIN 24240 SALO  
Finland



DRAWING TITLE  
**Datasheet\_LC1-RS**

This drawing is the property of LEDiL Oy. It may not be reproduced, copied or communicated without a written agreement with LEDiL Oy."

SIZE	PART NUMBER
<b>A4</b>	<b>FA10653</b>

SCALE	2:1	WEIGHT	-	SHEET	1/1
-------	-----	--------	---	-------	-----

D

A

1