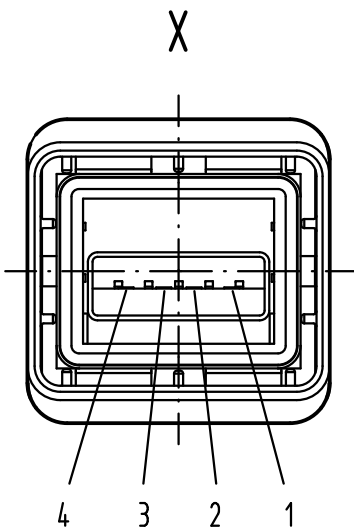
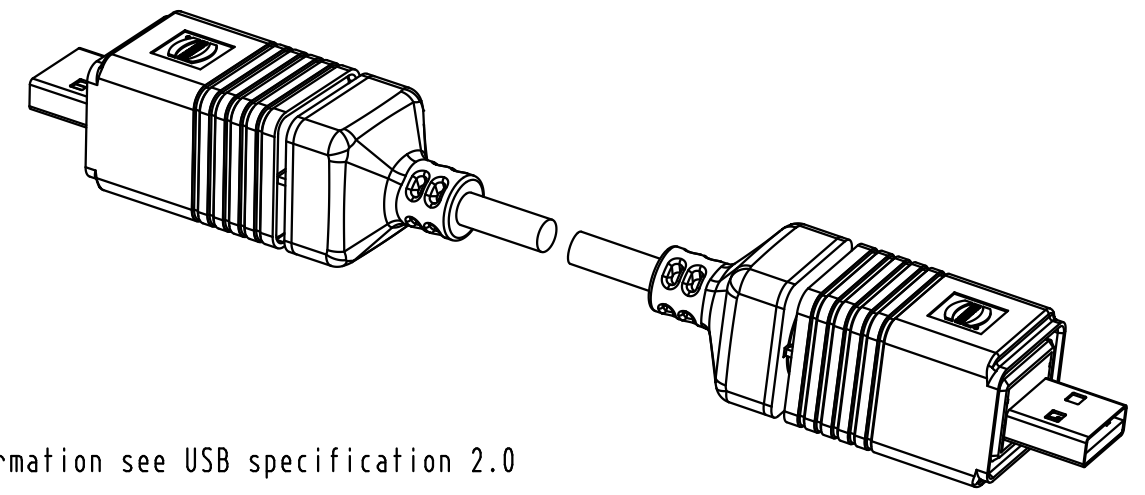
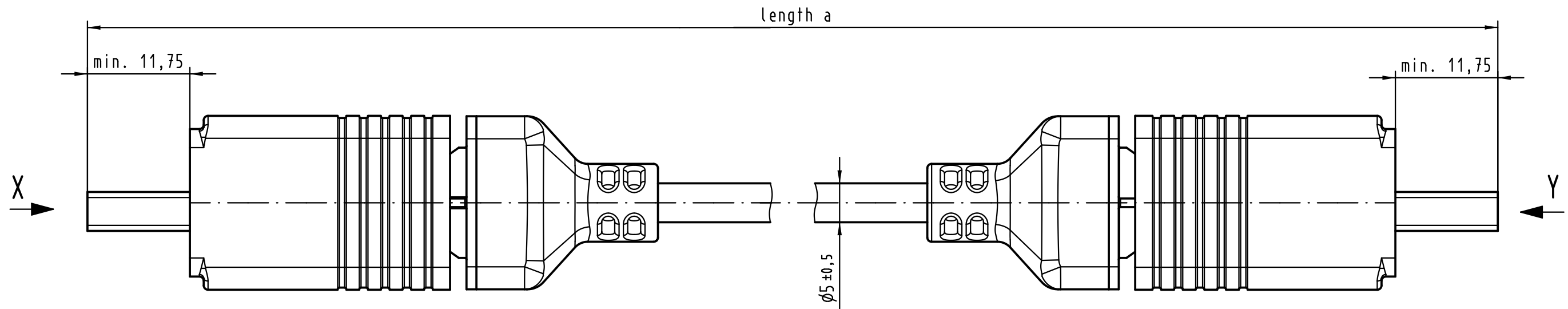
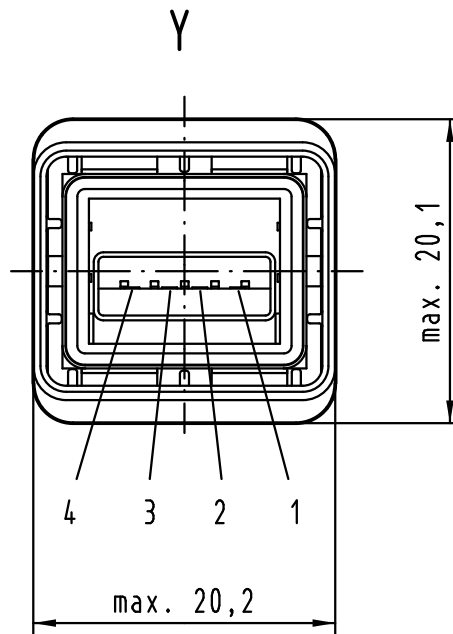


Alle Rechte vorbehalten/ All rights reserved



**loading-plan**

V Bus	1	1
D-	2	2
D+	3	3
GND	4	4



further information see USB specification 2.0  
[www.usb.org](http://www.usb.org)

no.	part-no.	description	length a [meter]
6	09 45 145 1905	USB 2.0, Type A, PushPull double ended	5,0 m
5	09 45 145 1904	USB 2.0, Type A, PushPull double ended	3,0 m
4	09 45 145 1903	USB 2.0, Type A, PushPull double ended	2,0 m
3	09 45 145 1902	USB 2.0, Type A, PushPull double ended	1,5 m
2	09 45 145 1901	USB 2.0, Type A, PushPull double ended	1,0 m
1	09 45 145 1900	USB 2.0, Type A, PushPull double ended	0,5 m

All Dimensions in mm Original Size DIN A 3	Techn. Character.			Nicht tolerierte Maßel Free size tolerances	
		Dat.	Name	Maßstab/Scale	
		Detail.	14.02.12	hsv	<b>HARTING PushPull V4</b> <b>USB 2.0 Type A</b> <b>PushPull double ended</b>
		Insp.	14.02.12	Lue.	
		Stand.			
36366	HARTING Electronics GmbH & Co. KG				<b>TB 09 45 145 190x</b>
Mod.	Dat.	Name	D-32339 ESPELKAMP		
					Sub.