

INTERCONNECTS

SERIES 800 & 801 • 2,54 GRID (0,76 DIA. PINS), SOLDERLESS PRESS-FIT • SINGLE ROW STRIPS

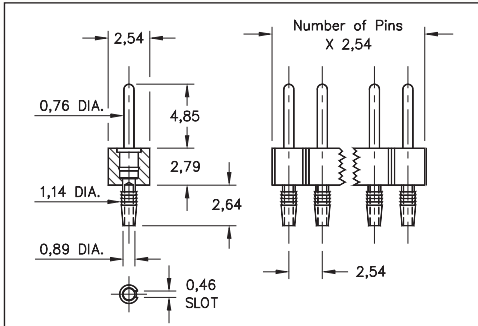


FIG. 1

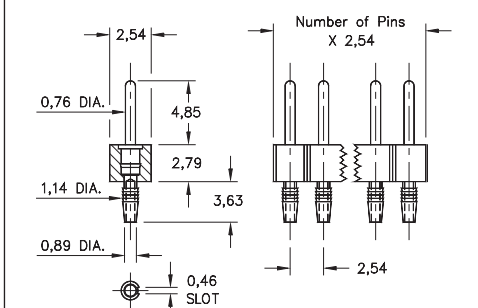


FIG. 2

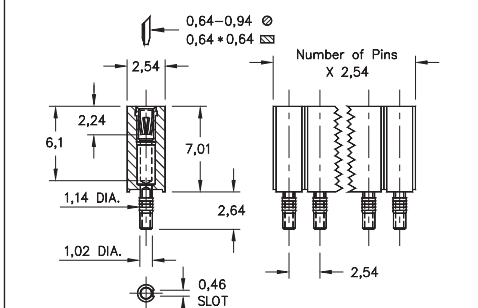


FIG. 3

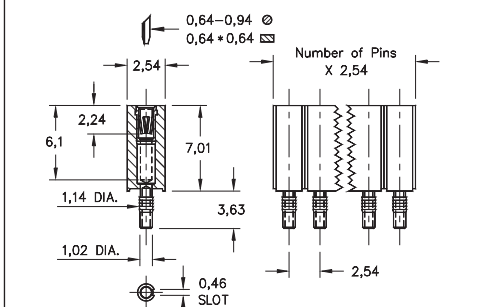
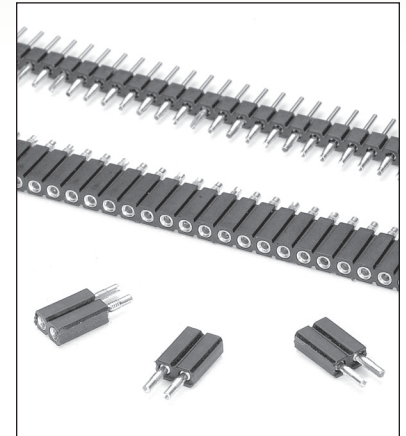


FIG. 4

- The unique compliant tail pins conform to 1,02±0,76 finished hole without stressing inner layers. Patent No. 4,799,904
- Headers and sockets are available for board thicknesses of 1,52 - 2,54 and 2,29 - 3,3. See ordering information for details
- Series 800 pin headers use MM #5601 and #5602 compliant tail pins featuring a 0,76 dia. mating lead. See page 220 for details
- Series 801 sockets MM #4614 or #4615 use Hi-Rel, 6-finger BeCu #47 contact rated at 4.5 amps. Receptacles accept 0,76 diameter pins & 0,64 square pins. See pg. 256 for details
- Insulators are high temperature thermoplastic



ORDERING INFORMATION

FIG. 1	Compliant Tail Pin Header for 1,52 - 2,54 Thick Boards				
	800-XX-0__-61-001000 Specify number of pins ↑ 01-64				
FIG. 2	Compliant Tail Pin Header for 2,29 - 3,3 Thick Boards				
	800-XX-0__-62-001000 Specify number of pins ↑ 01-64				
SPECIFY PLATING CODE XX=		10	90	40	
Pin Plating		0,25µm Au	5,08µm Sn/Pb	5,08µm Sn	

FIG. 3	Compliant Tail Socket for 1,52 - 2,54 Thick Boards					
	801-XX-0__-61-001000 Specify number of pins ↑ 01-50					
FIG. 4	Compliant Tail Socket for 2,29 - 3,3 Thick Boards					
	801-XX-0__-62-001000 Specify number of pins ↑ 01-50					
SPECIFY PLATING CODE XX=		91	93	99	41	43
Sleeve (Pin)		5,08µm Sn/Pb	5,08µm Sn/Pb	5,08µm Sn/Pb	5,08µm Sn	5,08µm Sn
Contact (Clip)		0,25µm Au	0,76µm Au	2,54µm Sn/Pb	0,25µm Au	0,76µm Au

