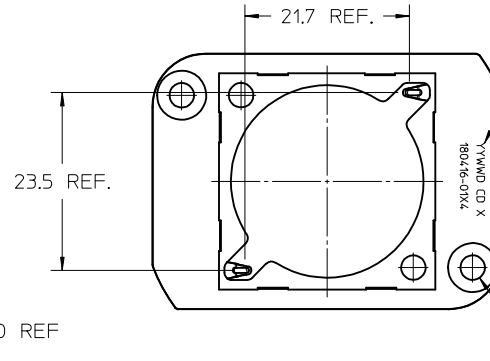
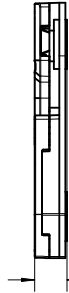
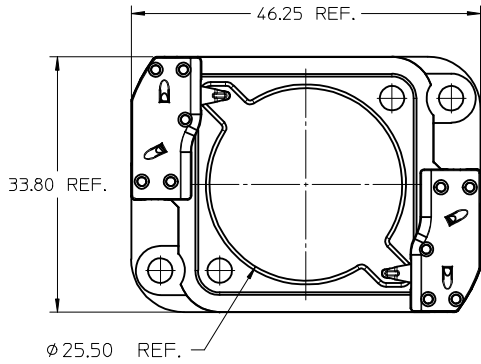
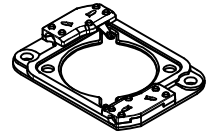


PART NUMBER	DESCRIPTION	MATERIAL	AGENCY APPROVAL
180416-0104	28MM X 28MM HOLDER ASSEMBLY	POLYAMIDE (PA66) GLASS FILLED, COLOR: NATURAL	UL496 FILE E345583
180416-0204	28MM X 28MM HOLDER ASSEMBLY WITH TAB CAP	POLYAMIDE (PA66) GLASS FILLED, COLOR: NATURAL	UL496 FILE E345583
180416-0114	28MM X 28MM HOLDER ASSEMBLY	POLYESTER (PBT) GLASS FILLED,COLOR: WHITE	-
180416-0214	28MM X 28MM HOLDER ASSEMBLY WITH TAB CAP	POLYESTER (PBT) GLASS FILLED,COLOR: WHITE	-

HOLDER ASSEMBLY
180416-0104, 180416-0114

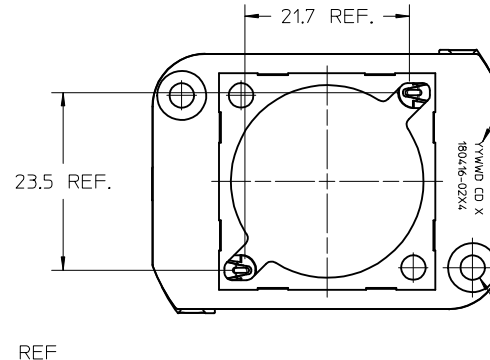
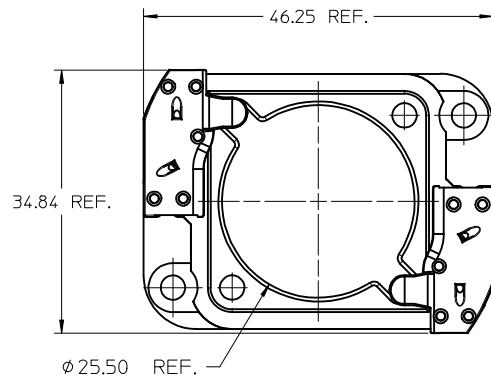


PART MARKED WITH
DATE CODE (YYWWD)
MFG PLANT (CD)
REVISION (X)
PART NUMBER (180416-01X4)

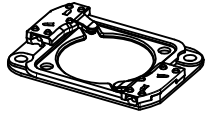


ISO VIEW 1
SCALE 1:1

HOLDER ASSEMBLY WITH TAB CAP
180416-0204, 180416-0214



PART MARKED WITH
DATE CODE (YYWWD)
MFG PLANT (CD)
REVISION (X)
PART NUMBER (180416-02X4)

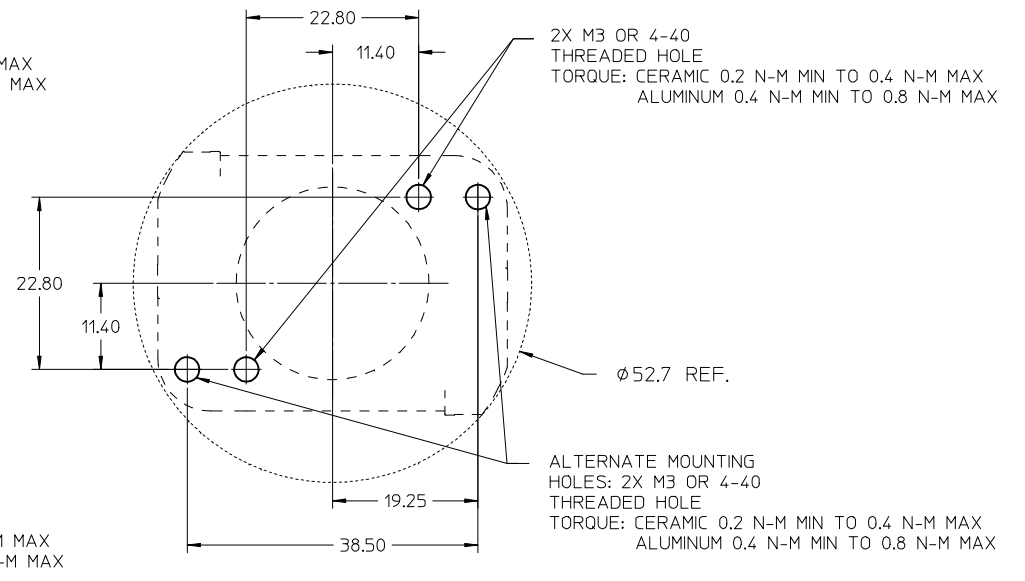
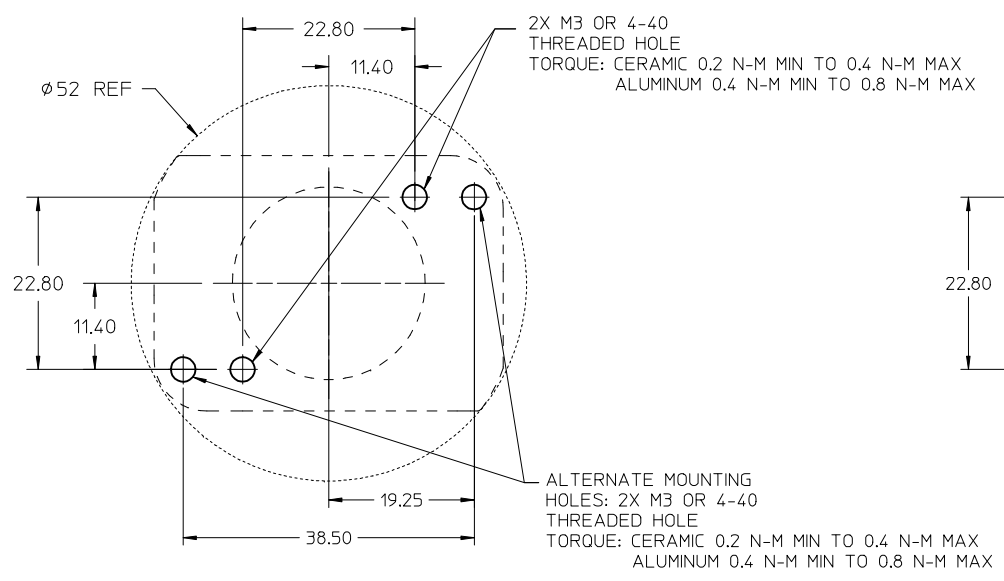


ISO VIEW 2
SCALE 1:1

NOTES:

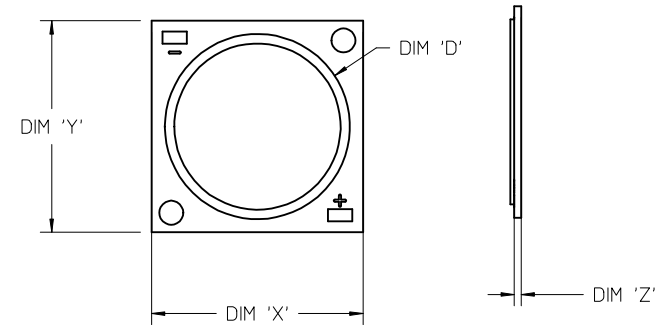
- MATERIALS: HOUSING AND CAPS: SEE CHART, TERMINAL: COPPER ALLOY.
- FINISHES: TERMINAL: NICKEL (Ni) UNDERPLATE 1.27 μm;
WIRE TRAP: SELECT TIN (Sn) 2.54 μm, LED CONTACT: SELECT GOLD (Au) 0.76 μm
- PRODUCT SPECIFICATION: PS-180414-001
- PACKAGING SPECIFICATION: PK-180419-007
- APPLICATION SPECIFICATION: AS-180412-001
- FOR USE WITH: 28MM X 28MM COB LED
- WIRE GAUGE: 18, 20, AND 22 AWG; TIN-PLATED SOLID, TINNED STRANDED, OR PRE-TINNED STRANDED. STRIP LENGTH 10MM +2.0/-0.0MM. RECOMMENDED MAXIMUM DIAMETER AFTER TINNING: 1.40MM. LARGER DIAMETER WIRES ARE ACCEPTABLE IF FULLY INSERTABLE IN WIRE TRAP AND NO WITHDRAWAL WITHIN 20N FORCE.
- IF REWORK IS REQUIRED, WIRE MUST BE REPLACED WITH SAME AWG AND TYPE. CARE MUST BE TAKEN NOT TO DAMAGE WIRE TRAP. REWORK IS ACCEPTABLE IF WIRE IS FULLY INSERTABLE IN WIRE TRAP AND NO WITHDRAWAL WITHIN 20N FORCE.
- SEE CHART FOR AGENCY APPROVAL INFORMATION.
- ELV AND ROHS COMPLIANT.

ENTER DESCRIPTION EC NO: SSL2017-0012 DRWNLZABJANOVSKI 2016/08/16 CHKD: APPR:GMEYER 2016/09/21 REVL:	QUALITY SYMBOLS 	GENERAL TOLERANCES (UNLESS SPECIFIED)		DIMENSION STYLE MM ONLY		SCALE 2:1	DESIGN UNITS METRIC	THIRD ANGLE PROJECTION					
		4 PLACES ± --- ± ---	3 PLACES ± --- ± ---	2 PLACES ± 0.13 ± ---	1 PLACE ± 0.25 ± ---	0 PLACE ± --- ± ---	DRAWN BY DATE MCOLE 2012/05/21		COB LED HOLDER 28MM X 28MM SQUARE 				
		DRAFT WHERE APPLICABLE MUST REMAIN WITHIN DIMENSIONS					CHECKED BY DATE MCOLE 2012/06/18					APPROVED BY DATE DMCGOWAN 2012/06/22	
		ANGULAR ±1/2°					MATERIAL NO. SEE CHART					DOCUMENT NO. SD-180416-104	
SIZE C					THIS DRAWING CONTAINS INFORMATION THAT IS PROPRIETARY TO MOLEX INCORPORATED AND SHOULD NOT BE USED WITHOUT WRITTEN PERMISSION								



ENTER DESCRIPTION EC NO: SSL2017-0012 DRWING: LABJANOVSKI 2016/08/16 CHKD: [Signature] APPR: GMEYER 2016/09/21	QUALITY SYMBOLS ▽=0 ▽=0 ▽=0	GENERAL TOLERANCES (UNLESS SPECIFIED)		DIMENSION STYLE MM ONLY	SCALE 2:1	DESIGN UNITS METRIC	THIRD ANGLE PROJECTION		
		4 PLACES ± --- ± ---	3 PLACES ± --- ± ---	2 PLACES ± 0.13 ± ---	1 PLACE ± 0.25 ± ---	0 PLACE ± --- ± ---	COB LED HOLDER 28MM X 28MM SQUARE		
		ANGULAR ±1/2°		DRAFT WHERE APPLICABLE MUST REMAIN WITHIN DIMENSIONS		SEE CHART		DOCUMENT NO. SD-180416-104	
		MATERIAL NO.		SHEET NO. 2 OF 3		THIS DRAWING CONTAINS INFORMATION THAT IS PROPRIETARY TO MOLEX. INCORPORATED AND SHOULD NOT BE USED WITHOUT WRITTEN PERMISSION			

COB MFG	TYPE	DIM 'X'	DIM 'Y'	DIM 'Z'	DIM 'D'
CITIZEN	CLL040, CLL042, CLU044, CLU046, CLU048	28.0	28.0	0.90	24.5
LEXTAR	PB38H01.0	28.0	28.0	0.90	23.6
LUMILEDS	LUXEON 1211	28.0	28.0	1.00	21.0
SEOUL	ZC25, ZC40, ZC60	28.0	28.0	0.90	24.2
LG INNOTEK	40W/60W COB	28.0	28.0	0.82	24.5
VOSSLOH-SCHWABE	DMC12CC**D, DMC17CC**D	28.0	28.0	1.00	24.0
BRIDGELUX	V22	28.0	28.0	1.00	23.6



ENTER DESCRIPTION EC NO: SSL2017-0012 DRWNLZABJANOVSKI 2016/08/16 CHKD: APPR:GMEYER 2016/09/21 REV: C4	QUALITY SYMBOLS 	GENERAL TOLERANCES (UNLESS SPECIFIED)		DIMENSION STYLE MM ONLY	SCALE 2:1	DESIGN UNITS METRIC	THIRD ANGLE PROJECTION		
		4 PLACES ± --- ± --- 3 PLACES ± --- ± --- 2 PLACES ± 0.13 ± --- 1 PLACE ± 0.25 ± --- 0 PLACE ± --- ± ---	mm INCH ± --- ± --- ± --- ± --- ± --- ± --- ± --- ± --- ± --- ± ---	DRAWN BY MCOLE	DATE 2012/05/21	TITLE COB LED HOLDER 28MM X 28MM SQUARE			
		DRAFT WHERE APPLICABLE MUST REMAIN WITHIN DIMENSIONS		APPROVED BY DMCGOWAN	DATE 2012/06/22				
				MATERIAL NO. SEE CHART	DATE 2012/06/22	DOCUMENT NO. SD-180416-104	SHEET NO. 3 OF 3		