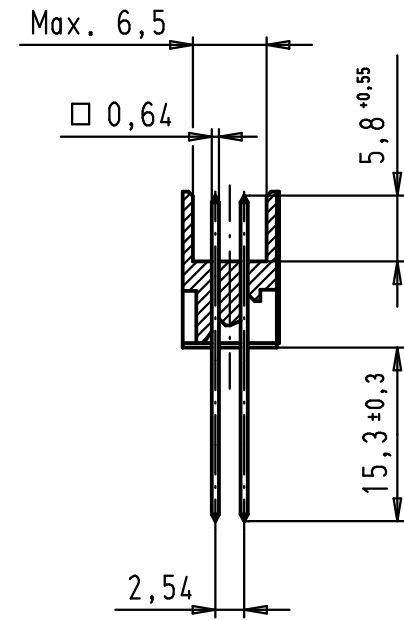
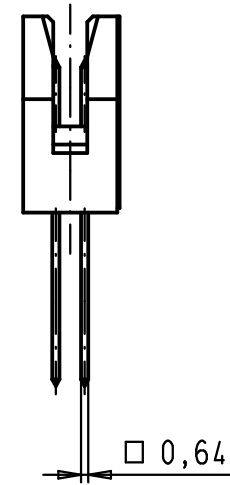
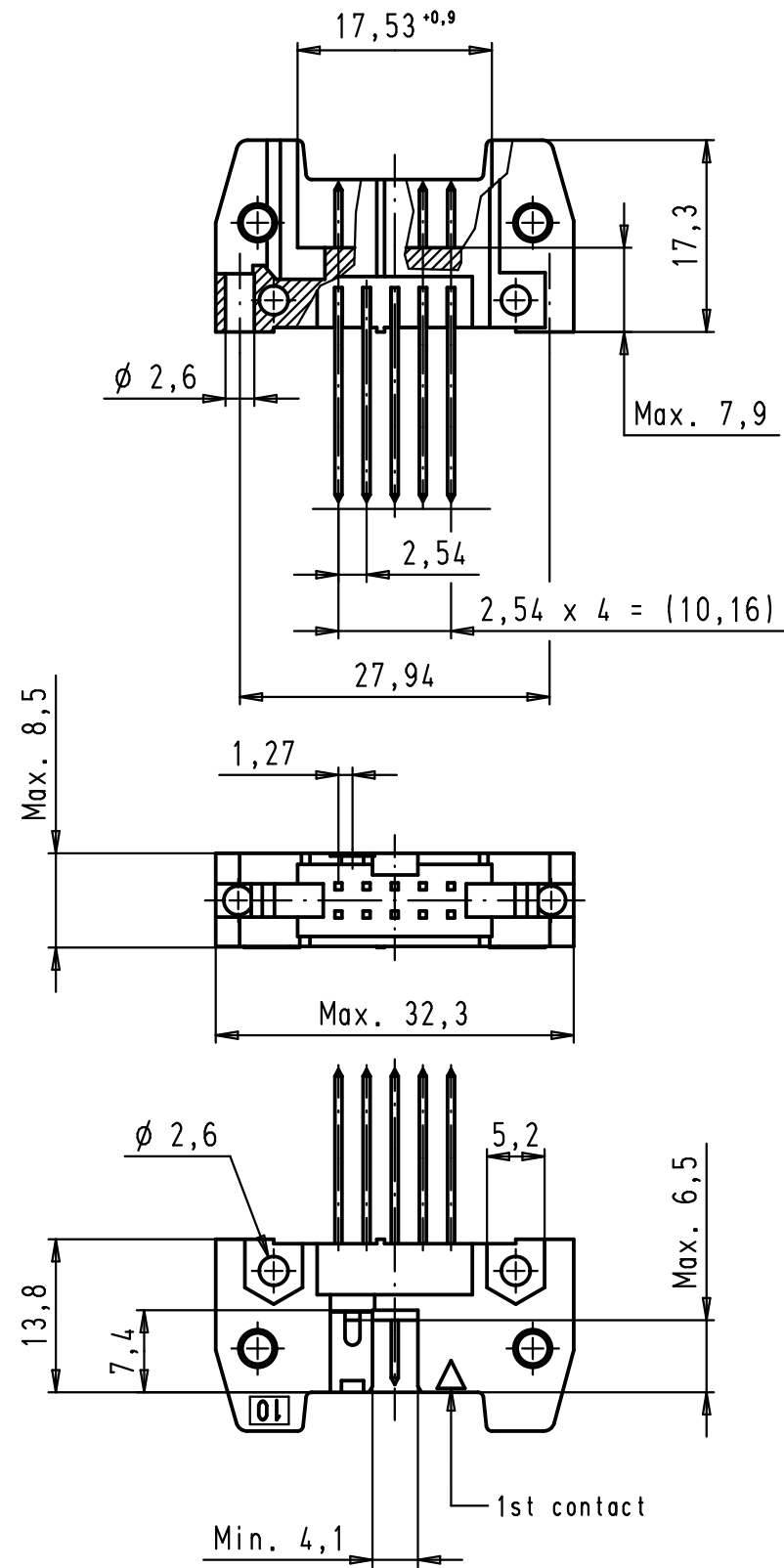
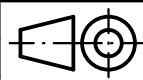



Alle Rechte vorbehalten/ All rights reserved



| | |
|----------------|-------------------|
| 09 18 510 7927 | 3 |
| 09 18 510 6927 | 2 |
| 09 18 510 5927 | 0,76 μ m Au |
| Part number | Performance level |

| | | | | | | | | |
|-------|----------|----|-------------------------------|----------|------|---|---|--------------------------------|
| | | | | Det. | Name |  All Dim. in mm Orig. Size DIN A 3 | SEK 18 Male Connector Standard 10 poles Straight wrap posts without locking levers | Maßstab/ Scale 1,5:1 |
| | | | Detail. | 19/09/02 | CV | | | |
| | | | Insp. | | | | | |
| | | | Stand. | | | | | |
| 34883 | 12/02/08 | SH | HARTING EURL F-95972 Paris | | |  | TB 09 18 510 X927 | Blatt/ Page 1 / 1 |
| 31092 | 19/09/02 | CV | Mod. | Det. | Name | | | |