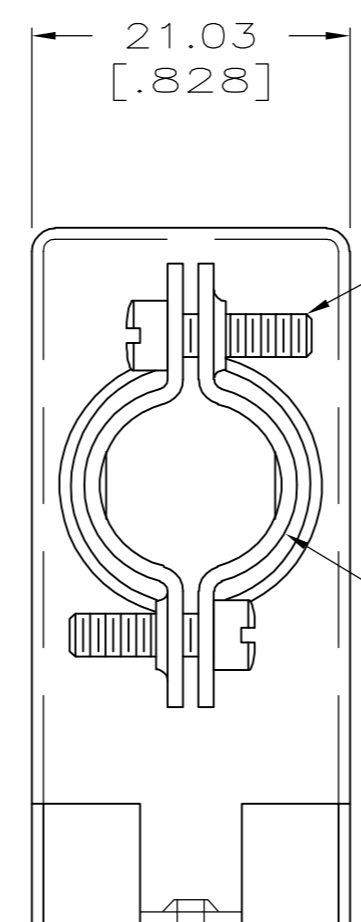
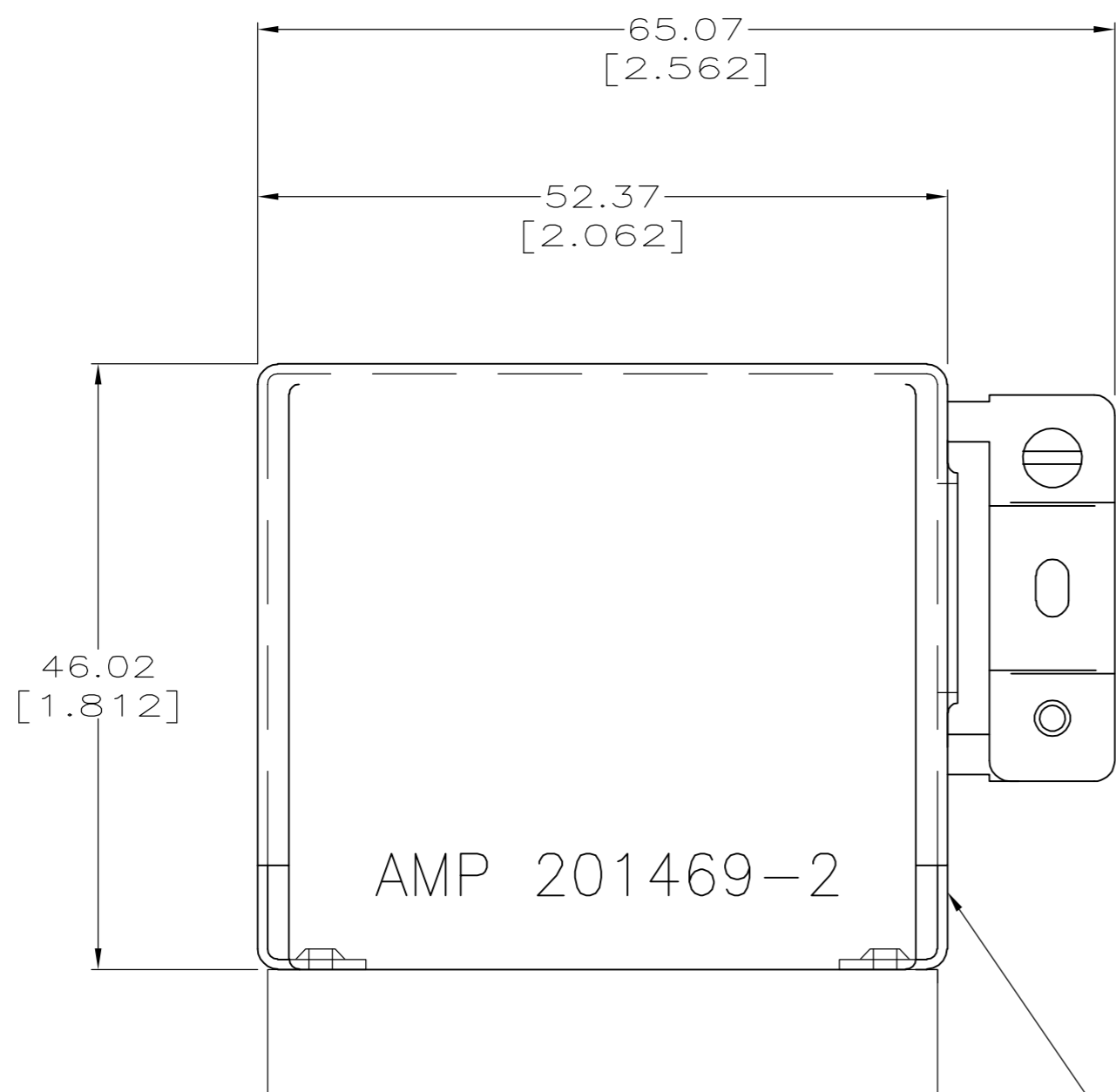


THIS DRAWING IS UNPUBLISHED. RELEASED FOR PUBLICATION  
 © COPYRIGHT BY TYCO ELECTRONICS CORPORATION. ALL RIGHTS RESERVED.

LOC	DIST	REVISIONS					
FT	0	P	LTR	DESCRIPTION	DATE	DWN	APVD
		F1		REVISED PER ECO-06-21627	9/13/06	SS	GS



4-40 UNC FILLISTER HEAD SCREW  
 MATERIAL: CARBON STEEL  
 FINISH: ZINC  
 2 EACH

CABLE CLAMP  
 MATERIAL: CARBON STEEL  
 FINISH: 5.08um [000200 MINNICKEL]  
 2 EACH

SHIELD  
 MATERIAL: CARBON STEEL  
 FINISH: 5.08um [.000200] MIN NICKEL

BLOCK

ASSEMBLED VIEW

3	201469-3
2	201469-2
SCREW FINISH	PART NUMBER

- CABLE CLAMP WILL ACCEPT 34 WIRES OF 1.78 [.070] MAX DIA.
- FINISH: ZINC WITH HEXAVALENT CHROMATE.
- FINISH: ZINC WITH NON-HEVALENT CHROMATE.

THIS DRAWING IS A CONTROLLED DOCUMENT.		DWN	C.DORWART	07 NOV 95	Tyco Electronics Corporation Harrisburg, PA 17105-3608						
DIMENSIONS: mm [INCHES]		CHK	R.STONE	15 DEC 95							
TOLERANCES UNLESS OTHERWISE SPECIFIED:		APVD	G.STEINHAUER	18 JAN 96							
0 PLC ± - 1 PLC ± - 2 PLC ± 0.38 [.015] 3 PLC ± - 4 PLC ± - ANGLES ± - FINISH -		PRODUCT SPEC	NAME			SHIELD KIT, UNASSEMBLED, SHORT, 34 POSITION, M SERIES					
MATERIAL	-	WEIGHT	-	SIZE	A2	CAGE CODE	00779	DRAWING NO	C=201469	RESTRICTED TO	-
CUSTOMER DRAWING				SCALE	2:1	SHEET	1 of 1	REV	F1		