

THIS DRAWING IS UNPUBLISHED. VERBAULICHE UNVEROFFENTLICHTE ZEICHNUNG. RELEASED FOR PUBLICATION FREI FÜR VERÖFFENTLICHUNG. 2014. DATED WITHIN PASSEND ZU. COPYRIGHT 2014. Tyco Electronics AMP GmbH. ALL RIGHTS RESERVED. ALLE RECHTE VORBEHALTEN.

PROJECT NO.: PRJ-14-00000805

| REVISIONS |  |           |     |      |
|-----------|--|-----------|-----|------|
| NO.       | DESCRIPTION  | DATE      | DWN | APVD |
| A2        | DESCRIPTION CORRECTED FROM SOLDER TO SCREW TERMINAL IN TITLE BLOCK | 13NOV2014 | CR  | JK   |

- 1 MATERIAL: ITEM NO. 1: HOUSING - PA  
ITEM NO. 2: CONTACT BODY - PA  
ITEM NO. 3: CONTACT - CuZn (brass)

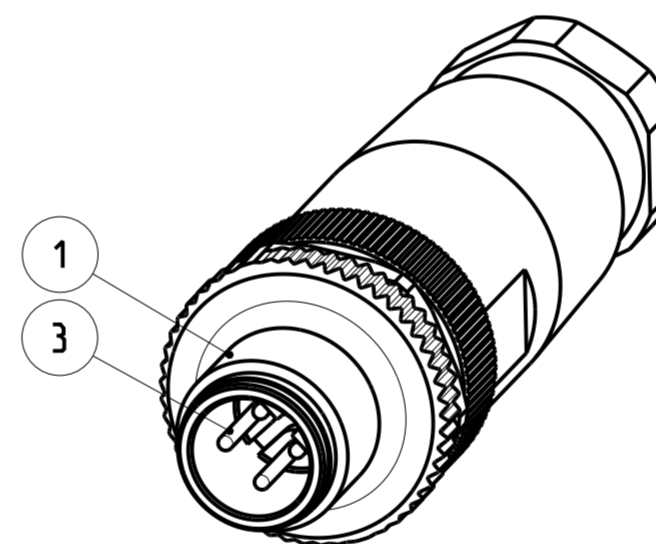
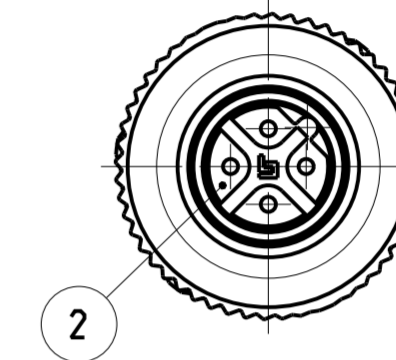
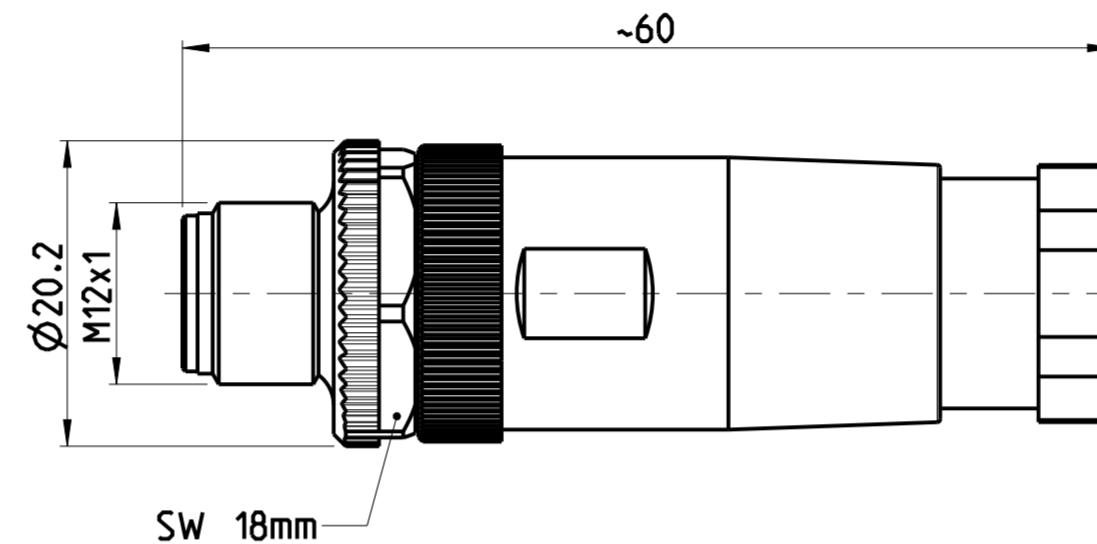
2 CONTACT FINISH - CuSnZn (Optalloy)

3 ALL DIMENSIONS ARE FOR NOMINAL REFERENCE ONLY UNLESS OTHERWISE STATED

4 MEASUREMENT REFERENCE ONLY

5 PACKAGING: 1 PIECE IN A BAG

| TECHNICAL DATA        | 3-2271112-1 | 3-2271112-2 | 4-2271112-1 | 4-2271112-2 |
|-----------------------|-------------|-------------|-------------|-------------|
| RATED VOLTAGE         | 250V        | 250V        | 125V        | 125V        |
| RATED IMPULSE VOLTAGE | 2500V       | 2500V       | 1500V       | 1500V       |
| POLLUTION DEGREE      | 3           | 3           | 3           | 3           |
| OVERVOLTAGE CATEGORY  | II          | II          | II          | II          |
| MATERIAL GROUP        | III         | III         | III         | III         |
| RATED CURRENT         | 4A          | 4A          | 4A          | 4A          |
| VOLUME RESISTIVITY    | ≤ 8mΩ       | ≤ 8mΩ       | ≤ 8mΩ       | ≤ 8mΩ       |
| DEGREE OF PROTECTION  | IP67        | IP67        | IP67        | IP67        |
| UPPER TEMPERATURE     | +85 °C      | +85 °C      | +85 °C      | +85 °C      |
| LOWER TEMPERATURE     | -40 °C      | -40 °C      | -40 °C      | -40 °C      |



3-2 AS SHOWN WIE GEZEICHNET

PIN ARRANGEMENT B-CODING (SCALE 2:1)

| 3-2271112-1 | 3-2271112-2 | 4-2271112-1 | 4-2271112-2 |
|-------------|-------------|-------------|-------------|
|             |             |             |             |

| CABLE FEED-THROUGH | WIRES                    | MATERIAL | NUMBER OF POLES | TE-PART-NO. |
|--------------------|--------------------------|----------|-----------------|-------------|
| 6-8                | 18 / 0.75mm <sup>2</sup> | 1 2      | 5               | 4-2271112-2 |
| 4-6                | 18 / 0.75mm <sup>2</sup> | 1 2      | 5               | 4-2271112-1 |
| 6-8                | 18 / 0.75mm <sup>2</sup> | 1 2      | 4               | 3-2271112-2 |
| 4-6                | 18 / 0.75mm <sup>2</sup> | 1 2      | 4               | 3-2271112-1 |

DIESE ZEICHNUNG IST EIN KONTROLLIERTES DOKUMENT. BEMASSUNGEN UND TOLERANZEN GEMAESS GPS (ISO STANDARDS).

THIS DRAWING IS A CONTROLLED DOCUMENT. DIMENSIONING AND TOLERANCING PER GPS (ISO STANDARDS).

STE TE Connectivity

M12 MALE, STRAIGHT, FIELD INSTALLABLE, UNSHIELDED CONNECTOR, SCREW TERMINALS, B-CODING

Customer Drawing / KUNDENZEICHNUNG

SCALE MASSSTAB 2:1 SHEET BLATT 1 OF 1 REV A2

SIZE ISO 14405 (E)