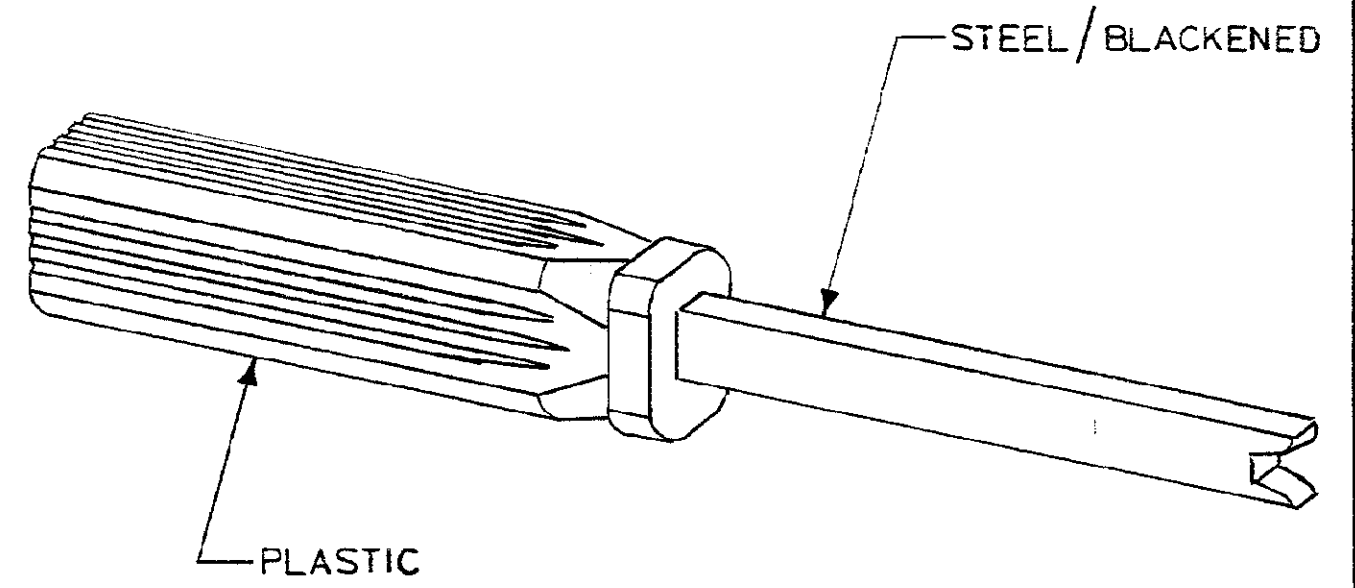


TOOL NUMBER	EXTRACTS	TERMINAL NUMBER	FROM	HOUSING NUMBER
274185-1		62131		360033-1
				360050-1



REV	DESCRIPTION	DATE	CHK	DR	REVISION RECORD	LTR

NUMBER	DESCRIPTION	REQUIRED PER ASSEMBLY
274185		

DWG NO	NUMBER	NAME	REMARKS	ITEM NO
			© 1975 BY AMP INCORPORATED. ALL RIGHTS RESERVED. AMP PRODUCTS COVERED BY PATENTS AND/OR PATENTS PENDING.	
			<b>CUSTOMER COPY REFERENCE ONLY</b>	
DR	WVK	5/12/75	MATERIAL AND FINISH SEE NOTES	
CHK			AMP INCORPORATED HARRISBURG, PENNA.	
				CLASS CLUSTER PIN
	DE	W.M. KISSINGER	WIRE - RANGE - INSULATION TOLERANCE EXCEPT AS NOTED ± .015	
		1/10/75	SCALE N.T.S.	
APP			TYPE RECEPTACLE LOC B NO 274185 REV 0	
			NAME TOOL, EXTRACTION	

REF. P72-7733

DIMENSIONS IN INCHES, DO NOT SCALE PRINT.

PRINT DIST **A**