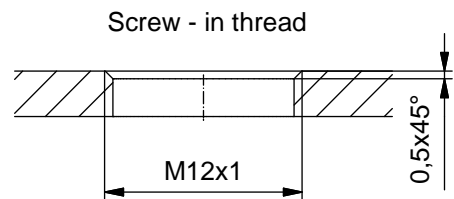
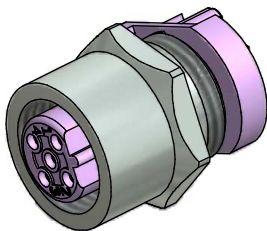
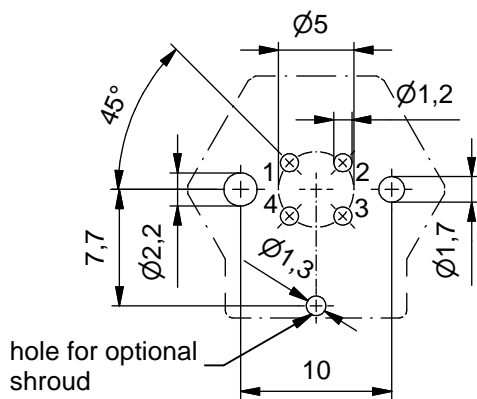


Pin Layout
PCB 1,60mm



Technical specification:

| | |
|---------------------------------------|---------------------------|
| Rated voltage: IEC 61076-2-101 | 250 V |
| Current rating: IEC 61076-2-101 | 4 A at 40°C |
| Insulation resistance: IEC 60512-2 | >=100 MΩ |
| Pollution degree: IEC 60664-1 | 3/2 |
| Degree of protection: IEC 60529 | IP 67, in mated condition |
| Temperature range: IEC 60664-1 | -30°C ... +85°C |
| Mating cycles: IEC 60512-9a | >=100 |

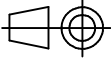

Materials:

| | |
|------------------|---------------------|
| Contact: | CuZn |
| Contact plating: | Nickel, gold plated |
| Contact carrier: | PA 6.6, UL 94 |
| Sealing: | FPM |
| Socket housing: | CuZn, nickel plated |
| Shroud: | Spring steel |
| -plating: | Tin plated |

Installation specification:

| | |
|--------------------------|---|
| recommended torque: | 0,8-1 Nm |
| Conec installation tool: | Torque wrench: 36-000200 Insert across flats 15: 36-000320 |

| Part no: | Description: | Pos | Note: |
|----------|------------------------|-----|-------------|
| 43-01216 | SAL - 12B - FK4 - X5,5 | 4 | with shroud |

| | | | | | |
|----------------------------------|-------------------------------------|---|--|--|---|
| DO NOT ALTER CAD DRAWING BY HAND | Directive 2002/95/EC RoHS compliant | Index: b 13.07.11 fro Ä3914 Data sheet revised, technical specification changed |  dim. in mm | title: Female socket M12x1 axial, profibus DP, frontmounting, dip solder, X5,5 | |
| | | THIS DRAWING MAY NOT BE COPIED OR REPRODUCED IN ANY WAY, AND MAY NOT BE PASSED ON TO A THIRD PARTY WITHOUT WRITTEN PERMISSION. OWNERSHIP AND COPYRIGHT OF CONEC GmbH | | |  |
| | | date | name | | dwg no: |
| | | drawn 22.11.07 | Fromm | | 43K1A530 |
| appd. 18.02.08 | W. Schmidt | part no: | | | |