

# Woodhead® MAX-LOC® Plus Shielded Cord-Grip Assemblies

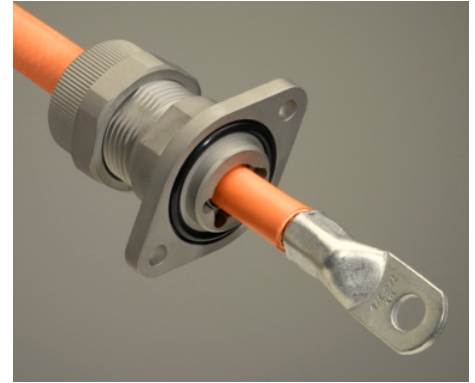
molex®

## Reduce disruptive EMI and RFI with Woodhead® MAX-LOC® Plus Shielded Cord-Grip Assemblies, featuring a simplified installation design ideal for high-frequency switched-mode power supply (SMPS) applications

Woodhead® MAX-LOC® Plus Shielded Cord-Grip Assemblies allow OEM's and end-user's to connect high-power electrical cables directly to an application via an exterior mounting enclosure, simplifying the installation process for high-volume, cost-sensitive programs. The robust assemblies provide excellent EMI and RFI shielding plus sealing protection (liquids and dust). MAXLOC® Plus Shielded Cord-Grip Assemblies bring multiple features found across numerous products into a single-product solution. This unique design results in cost and labor savings over conventional industry-standard products.

### Features and Benefits

Nickel-plated aluminum housing and shielding ring	Provide electro magnetic interference (EM) and radio frequency interference (RFI) protection
Unique grip-body internal cut-away design	Ensures a clear pass-through of pre-assembled harnesses and pre-crimped lugs through center and offset lugs. Provides simple assembly and field serviceability
Tapered shielding ring (as opposed to competitor's finger contacts)	Provides a robust, reliable connection. Ensures low contact resistance and cable grounding
Internal wedge-shaped grommet	Provides liquid and dust sealing and cable retention to withstand 50 lb (222.4N) pull force versus two installers) directly to the OEM panel, enclosure or vehicle body. Ensures stable connection in rugged applications
Two external mounting holes	Simplify the installation process via a single-side connection (single person versus two installers) directly to the OEM panel, enclosure or vehicle body. Ensures stable connection in rugged applications
Aluminum die-cast, nickel-plated threaded assembly	Strong, light-weight design for ease of use. Reduces galling (wear and transfer of material between the assembly and panel)
Compression nut	Provides cable retention to withstand 222.4N (50 lbs.) pull force
Sealed O-ring, IP67 and IP69K rated	Seals out moisture and dust contamination. Meets SAE industry standards
Grip assembly accommodates 1 AWG, 1/0, 2/0 shielded cables with an expanded range to follow	Provides design flexibility and installed cost savings. Meets harsh-environment application requirements

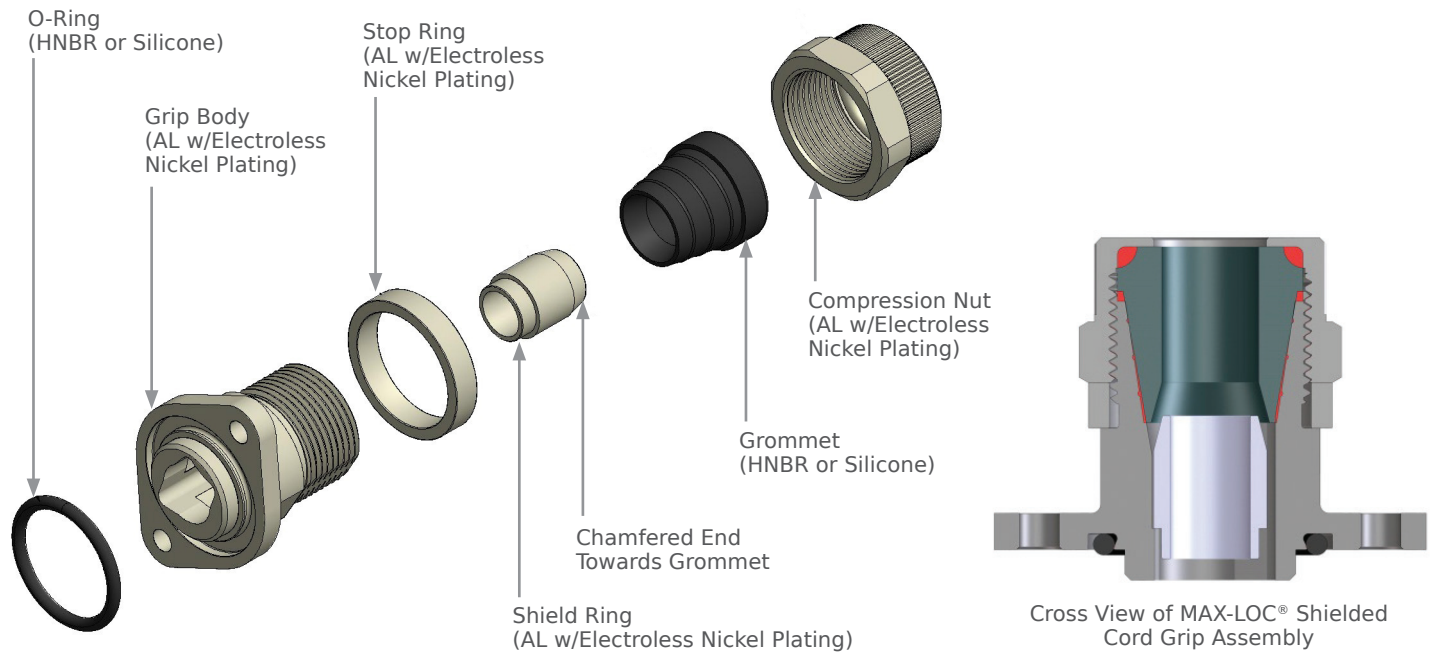


MAX-LOC® Plus Shielded Cord-Grip Assembly with terminated VersaKrimp™ Compression Lug

# Woodhead® MAX-LOC® Plus Shielded Cord-Grip Assemblies

molex®

## Additional Product Features



Exploded View of MAX-LOC® Plus Shielded Cord-Grip Assembly

## Applications

### Industrial (Automation)

- Power-inverter, motor, drive installations
- Factory automation
- Process control

### Aerospace and Defense

- Hybrid electric vehicles
- Electrical-vehicle-drive systems

### Commercial Vehicle

- Hybrid electric vehicles
- Construction/agricultural
- Buses
- Mining

### Alternative Energy

- Wind mills
- Solar
- Scientific
- Bio-reactors

### Telecommunications/Networking

- HVAC variable-speed motors



Pressure Washer

# Woodhead® MAX-LOC® Plus Shielded Cord-Grip Assemblies



## Specifications

### Reference Information

Packaging: Box  
RoHS: Yes  
Halogen Free: Yes

### Mechanical

Cable Retention:  
50 lb (222.4N) cable pull withstand for  
30 seconds

### Electrical

EMI/RFI Shielding: 360°  
Die-Electric Withstand: 2400V AC for 1 minute

### Environmental

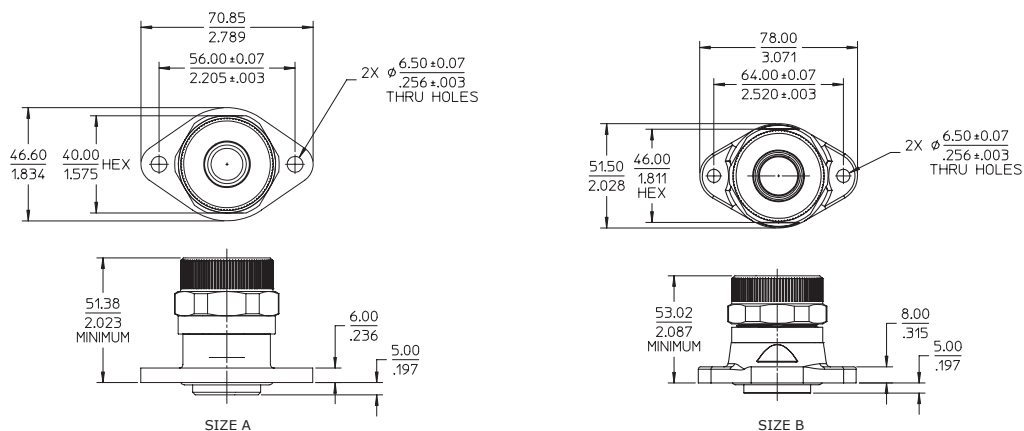
Immersion: IP67 and IP68 rated  
Power Wash (Duration of 5 Minutes):  
12,000kPaG (~1740psig), 13 l/min (~ 3.4 gal/min).  
Operating Temperature:  
HNBR — -40 to +150°C  
Silicone — -60 to +200°C  
UV resistant  
Meets UL 94 VO flammability rating

### Physical

Housing: Electroless nickel-plated aluminum die-cast  
Nut: Electroless nickel-plated aluminum die-cast  
Shield Ring: Electroless nickel-plated aluminum die-cast  
Stop Ring: Electroless nickel-plated aluminum die-cast  
Grommet: HNBR or Silicone  
O-Ring: HNBR or Silicone

## Ordering Information

Grommet/O-ring Material	Cable Gauge (AWG)	Size	Order No.
HNBR	1	A	<a href="#">130199-0030</a>
	1/0	A	130199-0020
	2/0	A	130199-0025
	2/0	B	130199-0045
	3/0	A	130199-0080
	3/0	B	130199-0035
	4/0	B	130199-0040
Silicone	1	A	130199-0230
	1/0	A	130199-0220
	2/0	A	130199-0225
	2/0	B	130199-0245
	3/0	A	130199-0280
	3/0	B	130199-0235
	4/0	B	130199-0240



[www.molex.com/product/maxlocplus.html](http://www.molex.com/product/maxlocplus.html)