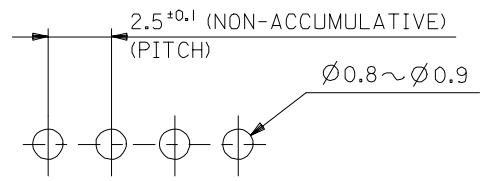
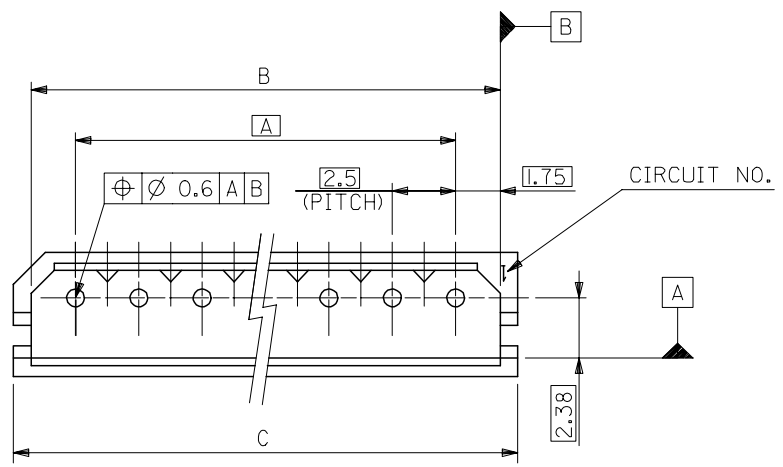




DWG. NO. PROJECT NO. SIMILAR ITEM C B A  
 DO NOT SCALE DRAWING DIMENSION IN METRIC

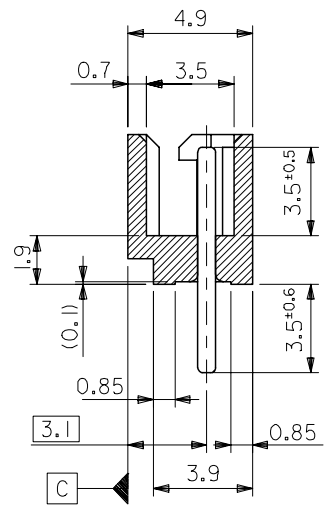
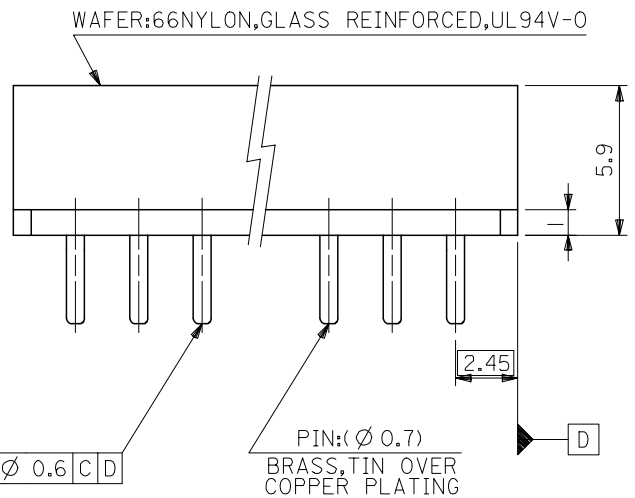
8 7 6 5 4 3 2 1

F E D C B A  
 KOREA MX-A3



RECOMMENDED P.C. BOARD HOLE DIM.

NOTES:  
 1. MATES WITH • 5264 SERIES.



39.9	38.5	35	22-03-5155	5267-15A	35301-1510	15
37.4	36	32.5	-5145	-14A	35301-1410	14
34.9	33.5	30	-5135	-13A	35301-1310	13
32.4	31	27.5	-5125	-12A	35301-1210	12
29.9	28.5	25	-5115	-11A	35301-1110	11
27.4	26	22.5	-5105	-10A	35301-1010	10
24.9	23.5	20	-5095	-09A	35301-0910	9
22.4	21	17.5	-5085	-08A	35301-0810	8
19.9	18.5	15	-5075	-07A	35301-0710	7
17.4	16	12.5	-5065	-06A	35301-0610	6
14.9	13.5	10	-5055	-05A	35301-0510	5
12.4	11	7.5	-5045	-04A	35301-0410	4
9.9	8.5	5	-5035	-03A	35301-0310	3
7.4	6	2.5	22-03-5025	5267-02A	35301-0210	2
C	B	A	EDP NO.	ENG NO.	ENG NO.	NO OF CKT.
APPLIED CONNECTOR						

ANGLE	±3°
30 OVER	±0.3
10 OVER 30 UNDER	±0.25
10 UNDER	±0.2
GENERAL TOLERANCES	

NEW RELEASED  
 ECN NO. KOR2006-0082  
 DRWN: K.S.KIM (060102)  
 CHK: Y.Soo.KIM  
 APPR: SH.CHOI

QUALITY SYMBOLS  
 MAJOR  
 CRITICAL  
 DESCRIPTION  
 REV

GENERAL TOLERANCES:  
 (UNLESS SPECIFIED)  
 mm INCH  
 4 PLACES ±0. ±-  
 3 PLACES ±0. ±-  
 2 PLACES ±0. ±-  
 1 PLACE ±0. ±-  
 ANGULAR: ± °  
 DRAFT WHERE APPLICABLE MUST  
 REMAIN WITHIN DIMENSIONS

SCALE 5:1  
 DESIGN UNITS  mm  INCH  
 DRAWN BY & DATE  
 K.S.KIM (060102)  
 CHECKED BY & DATE  
 Y.Soo.KIM  
 APPROVED BY & DATE  
 SH.CHOI  
 CAD FILENAME

DIMENSIONS:  
 mm  INCH  mm ONLY  
 THIRD ANGLE PROJECTION  
 TITLE: 2.5 LOW PROFILE WAFER ASS'Y  
 MOLEX INCORPORATED  
 MATERIAL NO. DRAWING NO. SD-35301-010 SHEET NO. 1 OF 1  
 THIS DRAWING CONTAINS INFORMATION THAT IS PROPRIETARY TO MOLEX INCORPORATED AND SHOULD NOT BE USED WITHOUT WRITTEN PERMISSION. SIZE B  
 KOREA