

4

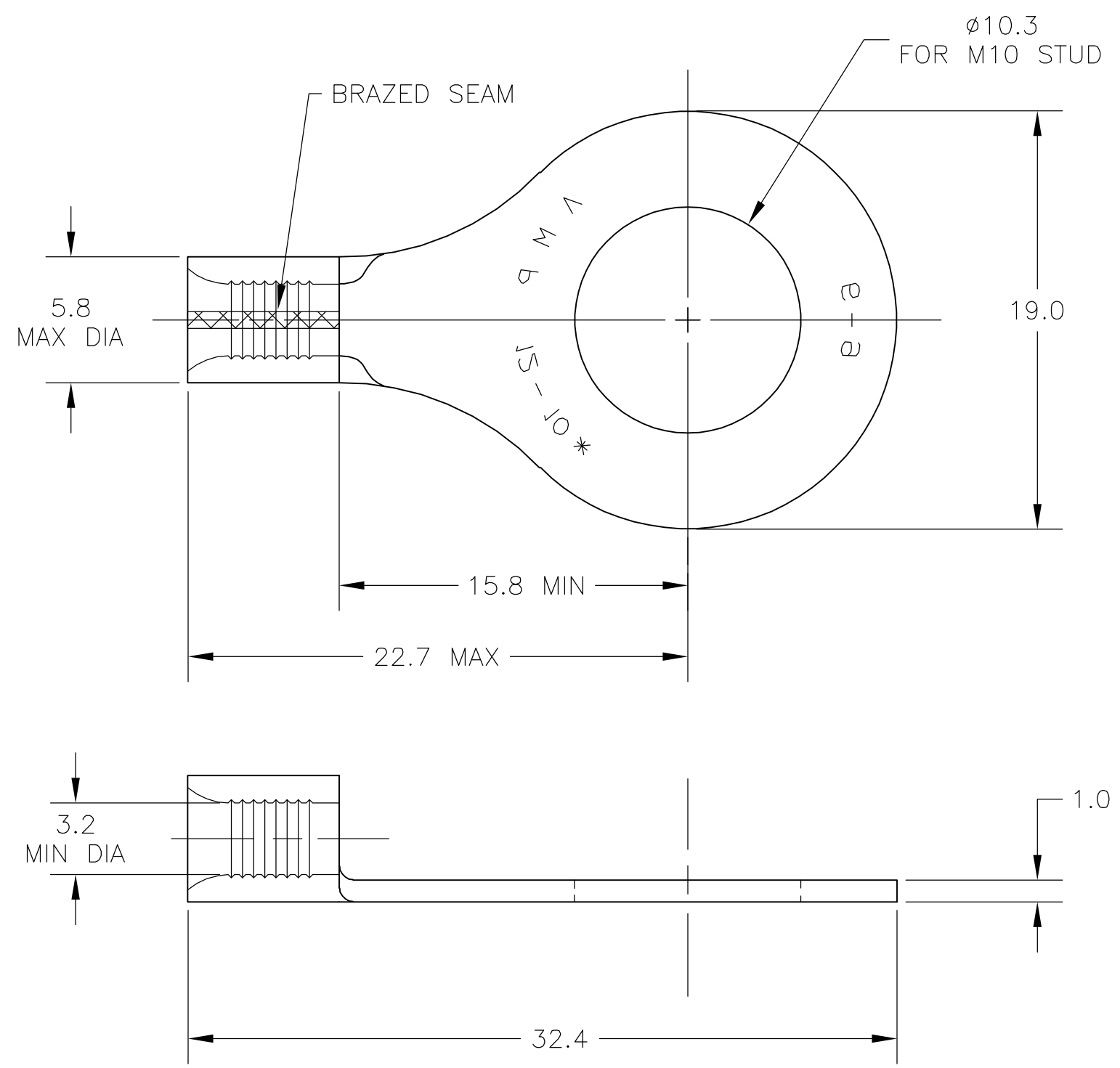
3

2

1

THIS DRAWING IS UNPUBLISHED. RELEASED FOR PUBLICATION
 © COPYRIGHT - BY TYCO ELECTRONICS CORPORATION. ALL RIGHTS RESERVED.

LOC	DIST	REVISIONS			
P	LTR	DESCRIPTION	DATE	DWN	APVD
G	14	A	DRAWN	22MAR06	JR TM



- 1 170°C MAX TEMPERATURE
- 2 COPPER PER ASTM B-152, ANNEALED
- 3 TIN PLATED PER ASTM B-545, 0.00254 MIN THK.
- 4 WIRE RANGE 2.62-6.64mm² [5,180-13,100 CMA], SOLID OR STRANDED.

160038
 PART NO

THIS DRAWING IS A CONTROLLED DOCUMENT.		DWN jr_ruth 22MAR06	Tyco Electronics Corporation Harrisburg, PA 17105-3608			
DIMENSIONS: INCHES		CHK T MICHELUTTI 22MAR06				
		APVD T MICHELUTTI 22MAR06	NAME			
TOLERANCES UNLESS OTHERWISE SPECIFIED: 0 PLC ± - 1 PLC ± 0.2 2 PLC ± - 3 PLC ± - 4 PLC ± - ANGLES ± -		PRODUCT SPEC	WIRE TERMINAL SOLISTRAND RING TONGUE WIRE SIZE 12-10			
MATERIAL		APPLICATION SPEC	SIZE	CAGE CODE	DRAWING NO	RESTRICTED TO
		WEIGHT	A3	00779	C-160038	-
		CUSTOMER DRAWING		SCALE	SHEET	REV
				4:1	1 OF 1	A