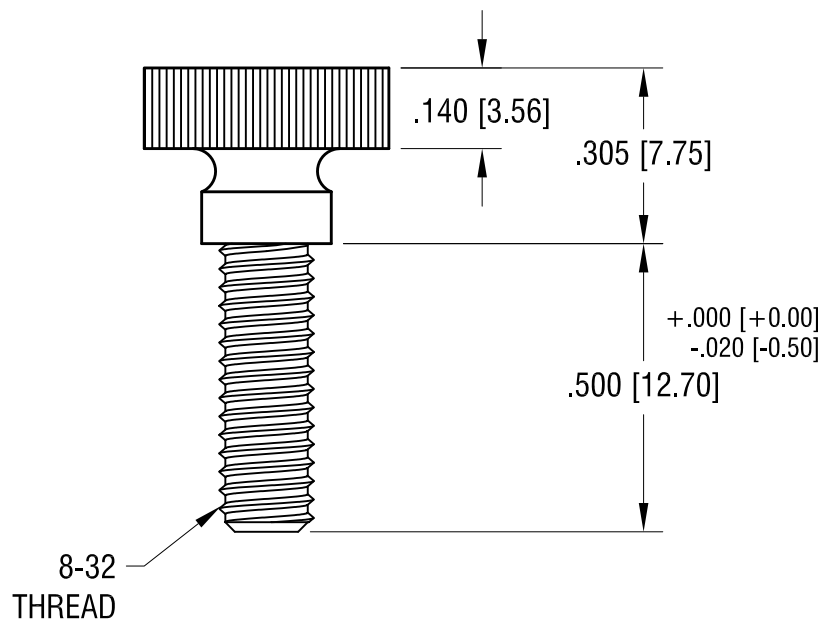
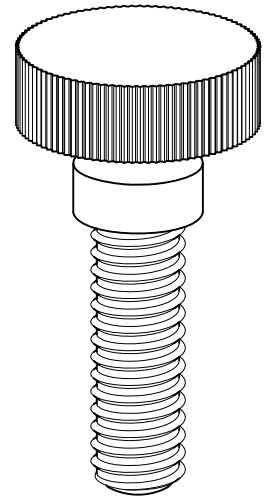
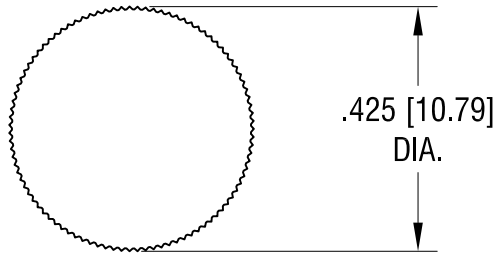


THIS DOCUMENT IS THE PROPERTY OF
KEYSTONE ELECTRONICS CORP. AND
SHALL NOT BE REPRODUCED, DISTRIBUTED
OR USED AS A BASIS FOR MANUFACTURE
WITHOUT PRIOR WRITTEN PERMISSION
FROM KEYSTONE ELECTRONICS CORP.



KEYSTONE ELECTRONICS CORP.

www.keyelco.com • ASTORIA, N.Y. 11105-2017 • Tel (718) 956-8900

PART NAME

KNURL HEAD THUMB SCREW

MATERIAL

NYLON 6/6

FINISH

-

DRN BY

NT

DATE

3.22.11

APP'D

LN

SCALE

3X

8.04.11 CHANGE AS PER ECN 11-100

A

TOLERANCES

INCH [MM]
DECIMAL $\pm .010$ [± 0.25]

CODE

ANGULAR $\pm 1^\circ$

UNLESS OTHERWISE SPECIFIED

DWG NO.

REV.

C/M

2508

DATE

DESCRIPTION