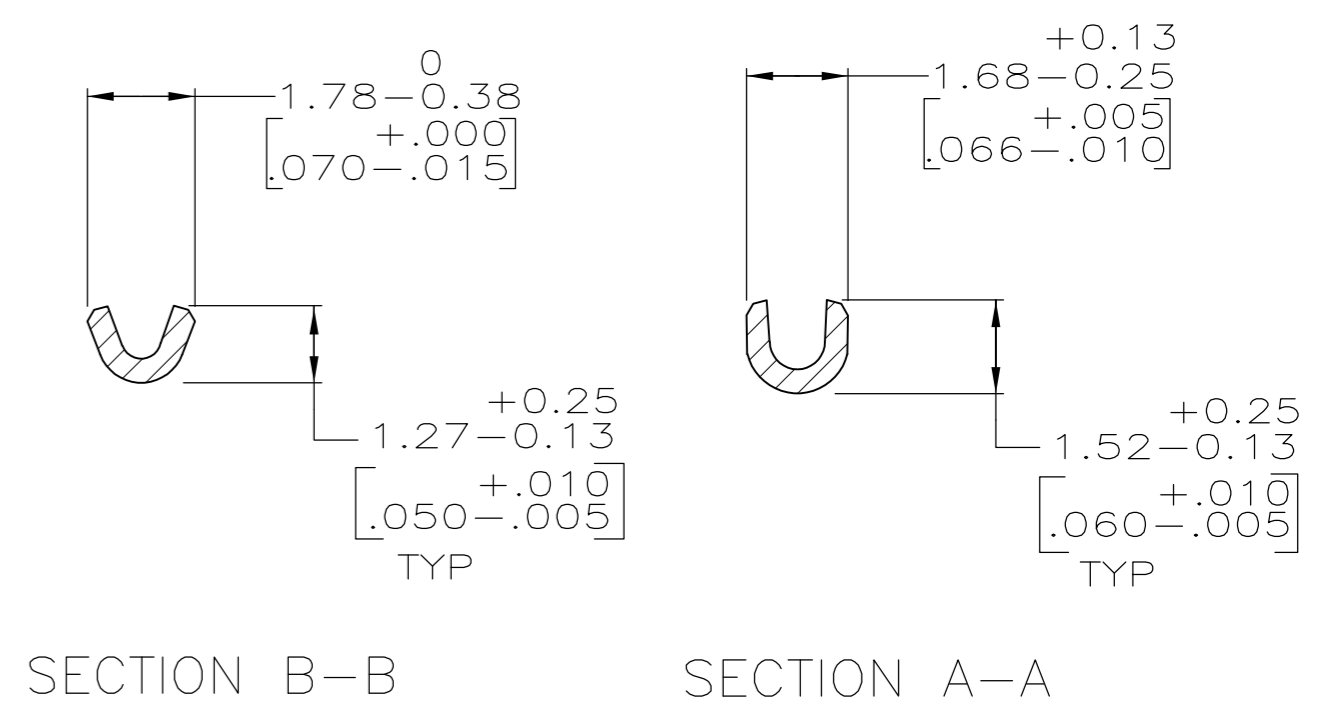
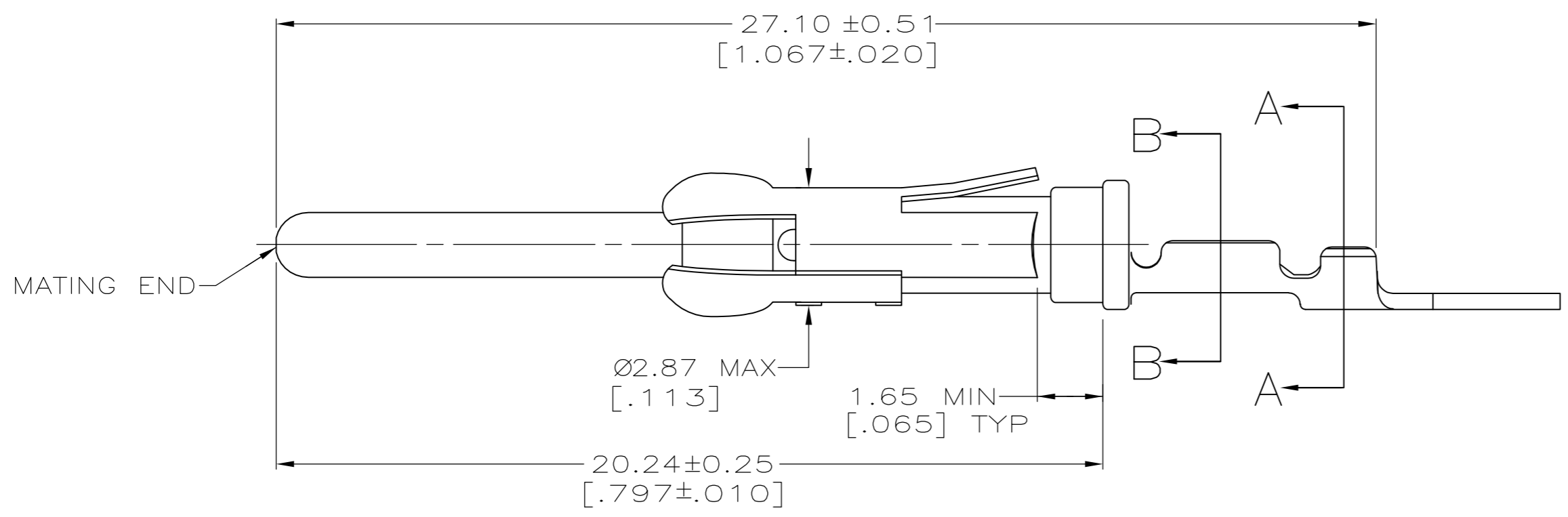
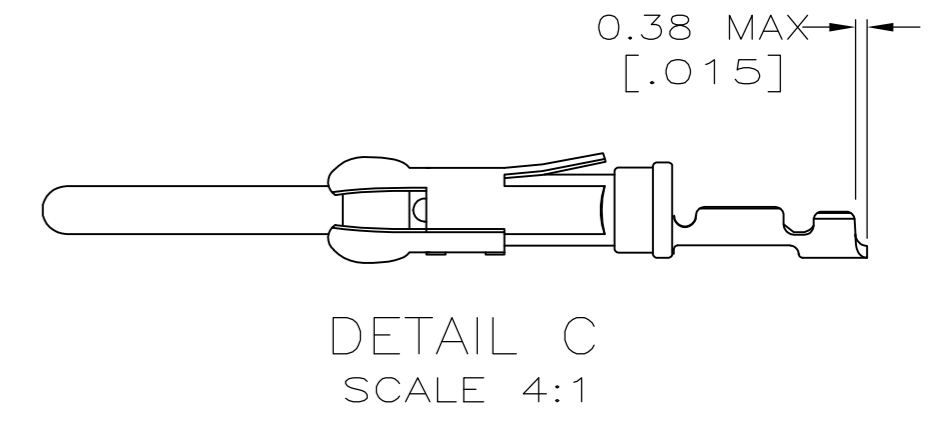
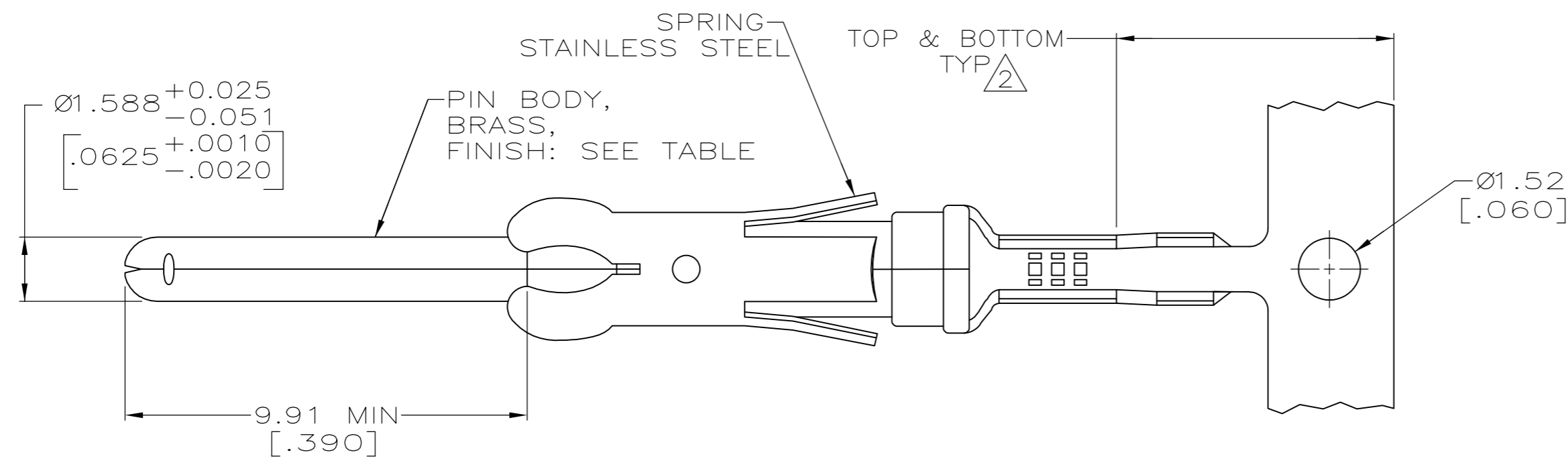


THIS DRAWING IS UNPUBLISHED. RELEASED FOR PUBLICATION  
 © COPYRIGHT - By - ALL RIGHTS RESERVED.

LOC	DIST	REVISIONS			
P	LTR	DESCRIPTION	DATE	DWN	APVD
FT	47	E	REVISED PER ECO-12-012316	05JUL12	KH MZ



- $\triangle 1$   $0.76\mu\text{m}$   $[\ .000030]$  MIN PRECIOUS METAL PLATE ON MATING END FOR A LENGTH OF 5.08  $[\ .200]$  MIN WITH  $1.27\mu\text{m}$   $[\ .000050]$  MIN MATTE TIN PLATE IN WIRE CRIMP AREA, BOTH OVER  $1.27\mu\text{m}$   $[\ .000050]$  MIN NICKEL PLATE. CONFORMS TO THE REQUIREMENTS OF TE CONNECTIVITY PRODUCT SPEC 108-10042, BASED ON EIA/ECA-364-1000.01A ( CONTROLLED ENVIRONMENT APPLICATIONS ).
- $\triangle 2$  GOLD PLATING NEED NOT APPEAR IN THIS AREA .
- 3. REELED FOR MINI-APPLICATOR.
- 4. WIRE RANGE 28-30 AWG.  
INSULATION RANGE 3.81  $[\ .015]$ -7.62  $[\ .030]$  DIA.
- $\triangle 5$   $0.76\mu\text{m}$   $[\ .000030]$  MIN PRECIOUS METAL PLATE ON MATING END FOR A LENGTH OF 5.08  $[\ .200]$  MIN WITH A UNIFORM GRADIENT TO  $0.25\mu\text{m}$   $[\ .000010]$  ON REMAINDER, OVER  $1.27\mu\text{m}$   $[\ .000050]$  MIN NICKEL PLATE. GOLD FLASH ALL OVER. CONFORMS TO THE REQUIREMENTS OF TYCO ELECTRONICS PRODUCT SPEC 108-10042, BASED ON EIA/ECA-364-1000.01A ( CONTROLLED ENVIRONMENT APPLICATIONS ).
- $\triangle 6$   $0.38\mu\text{m}$   $[\ .000015]$  MIN GOLD PER MIL-G-45204 ON MATING END FOR A LENGTH OF 5.08  $[\ .200]$  MIN WITH  $1.27\mu\text{m}$   $[\ .000050]$  MIN MATTE TIN PLATE IN WIRE CRIMP AREA, BOTH OVER  $1.27\mu\text{m}$   $[\ .000050]$  MIN NICKEL PER QQ-N-290.

PER DETAIL C	FINISH	PART NUMBER
-	$\triangle 1$	788085-4
-	$\triangle 6$	788085-3
-	$\triangle 5$	788085-2
-	$\triangle 1$	788085-1
LOOSE PIECE	FINISH	PART NUMBER

THIS DRAWING IS A CONTROLLED DOCUMENT.

DIMENSIONS: mm [INCHES]	TOLERANCES UNLESS OTHERWISE SPECIFIED:	DWN C.OBERMAN 21 NOV 96	
	0 PLC $\pm$ -	CHK R.STONE 22 NOV 96	
	1 PLC $\pm$ -	APVD G.STEINHAUER 22 NOV 96	
	2 PLC $\pm$ 0.13 [.005]	NAME C.OBERMAN	
MATERIAL SEE CALLOUTS	FINISH SEE CALLOUTS	PRODUCT SPEC 108-10042	TE Connectivity
		APPLICATION SPEC 114-10004	PIN ASSEMBLY, .062, TYPE III+
		WEIGHT -	SIZE A2
		CUSTOMER DRAWING	CAGE CODE 00779
			DRAWING NO C=788085
			RESTRICTED TO -
			SCALE 4:1
			SHEET 1 OF 1
			REV E