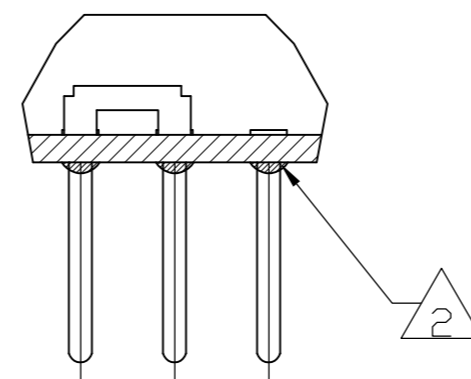
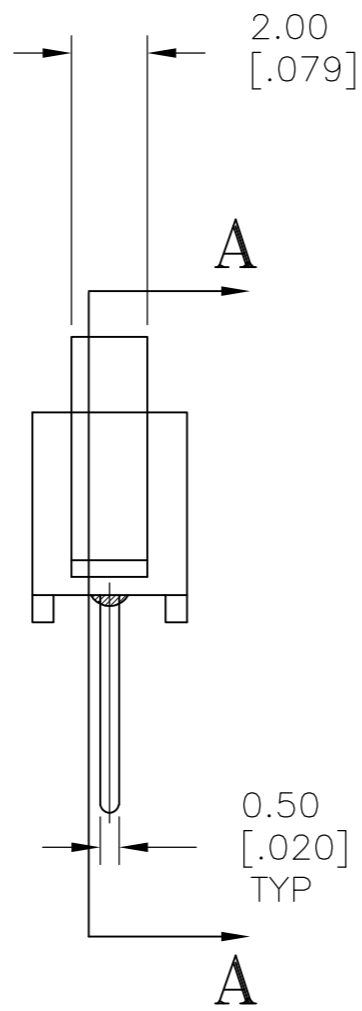
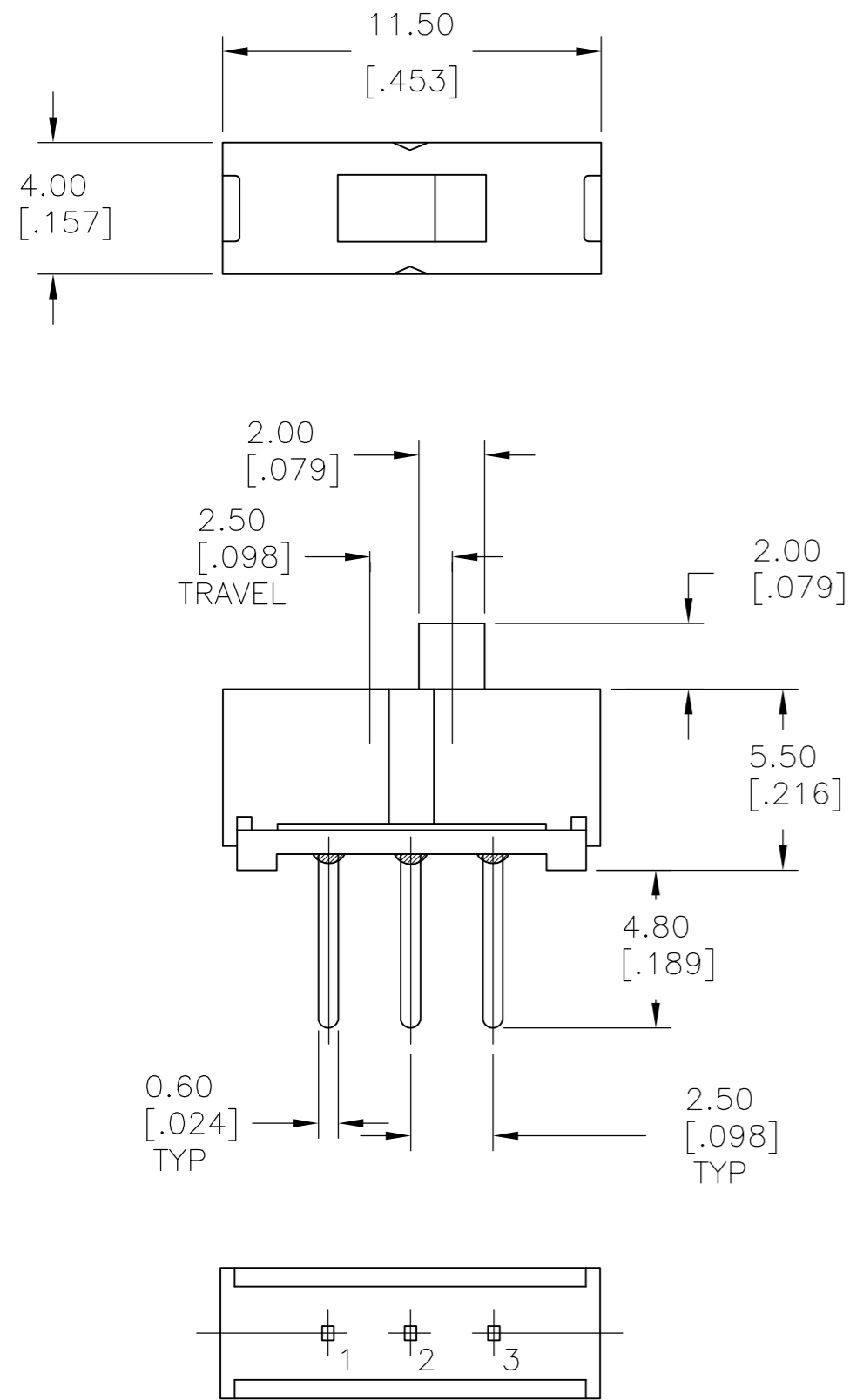


THIS DRAWING IS UNPUBLISHED. RELEASED FOR PUBLICATION
 © COPYRIGHT - By - ALL RIGHTS RESERVED.

LOC		DIST		REVISIONS			
P	LTR	DESCRIPTION		DATE	DWN	APVD	
AD	00	A1	REVISED PER ECO-11-005027	14MAR11	RK	HMR	



SECTION A-A

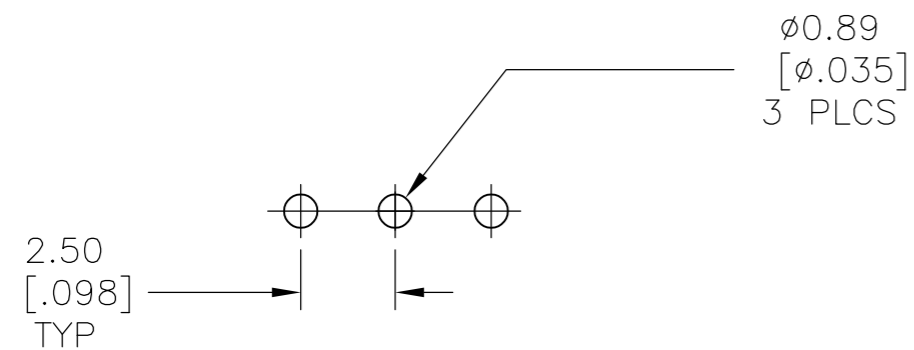
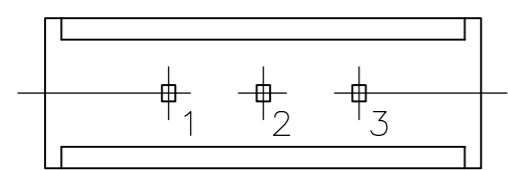
MAKE-BEFORE-BREAK
 SPDT
 SPECIFICATIONS:
 MATERIALS:
 BASE, NYLON 66 UL94V-0, 25% GF-BLACK
 COVER, POLYACETAL UL94-HB, 25% GF-BLACK
 ACTUATOR, POLYACETAL, UL94-HB, BLACK
 MOVING CONTACT, COPPER ALLOY-SILVER FINISH
 FIXED CONTACT/TERMINAL, COPPER ALLOY-SILVER FINISH

ELECTRICAL:
 CONTACT RATING, 100MA@30VDC
 INITIAL CONTACT RESISTANCE, 30 MILLIOHMS MAX
 INSULATION RESISTANCE, 100 MEGOHM MIN.
 DIELECTRIC STRENGTH, 500 V AC FOR 1 MINUTE

MECHANICAL:
 ACTUATION FORCE, 200 +/-150 GRAMS
 ACTUATION TRAVEL, 2.50 [.098]
 LIFE EXPECTANCY, 10,000 CYCLES

ENVIRONMENTAL:
 OPERATING TEMPERATURE, -20 TO +60 DEGREES C
 STORAGE TEMPERATURE, -20 TO +60 DEGREES
 SOLDERABILITY, PER EIA-364-52, CLASS 2, CATEGORY 1, 95% MINIMUM COVERAGE
 RESISTANCE TO SOLDER HEAT PER 109-202, CONDITION B

- ALL MATERIALS AND FINISHES SHALL COMPLY WITH EU DIRECTIVE 2002/95/EC OF 27JAN2003 (ROHS)
- ANTI SOLDER WICK SEAL AT TERMINAL TO BASE INTERFACE



PC HOLE LAYOUT

1-2	NONE	2-3	MMS12	1437575-4
			ALCO P/N	PART NO.
TERMINALS CONNECTED WHEN SLIDE IS IN POSITION SHOWN				

THIS DRAWING IS A CONTROLLED DOCUMENT.		DWN BSV	05OCT04		
DIMENSIONS: mm [INCHES]		CHK -	APVD M.S.SARVER		
TOLERANCES UNLESS OTHERWISE SPECIFIED:		PRODUCT SPEC		SLIDE SWITCH MMS-12	
0 PLC ± -		APPLICATION SPEC		SIZE	RESTRICTED TO
1 PLC ± -		WEIGHT -		CAGE CODE	
2 PLC ± 0.30 [.012]		SCALE 5:1		DRAWING NO	
3 PLC ± -		SHEET 1 of 1		REV	
4 PLC ± -		CUSTOMER DRAWING			
ANGLES ± 1°					
FINISH					
SEE SPECIFICATION					