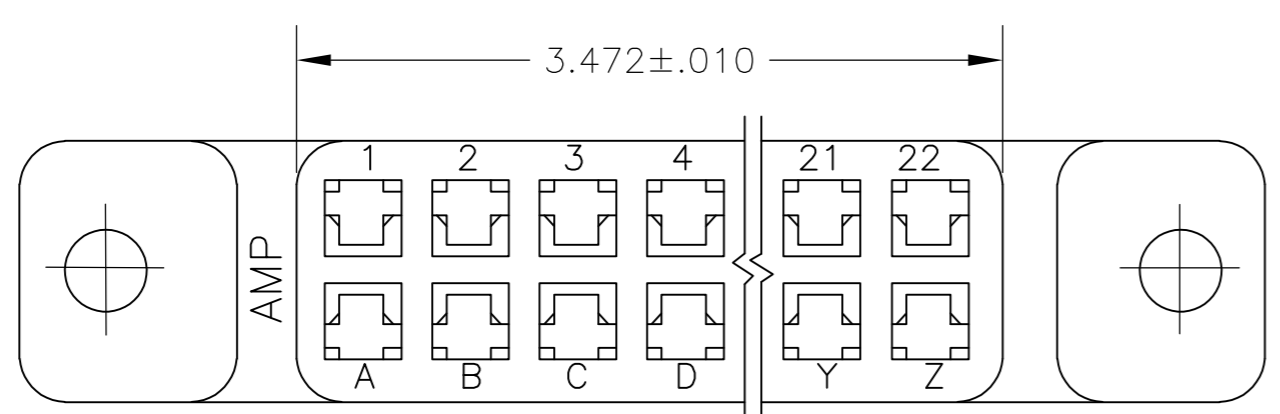
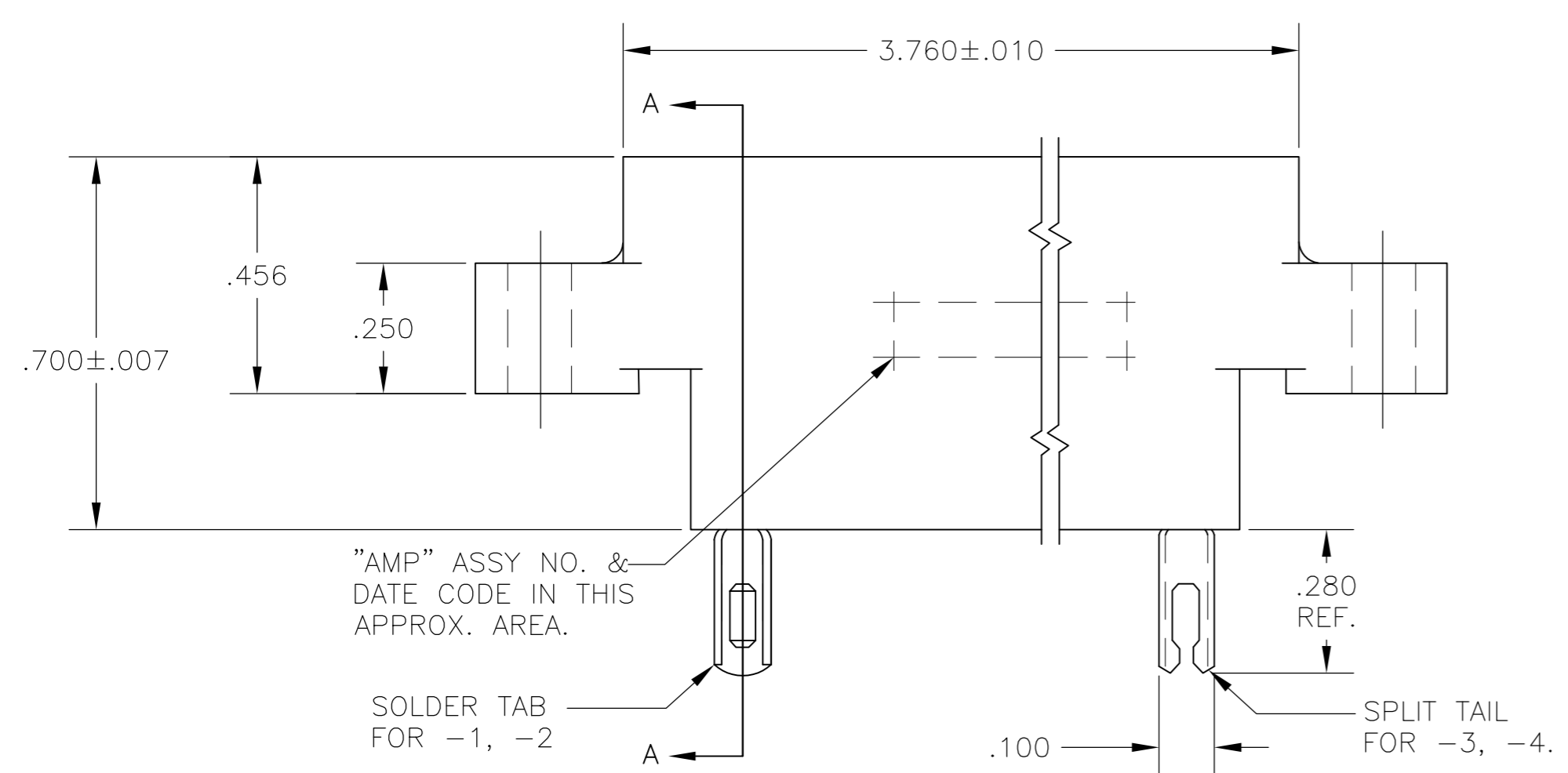
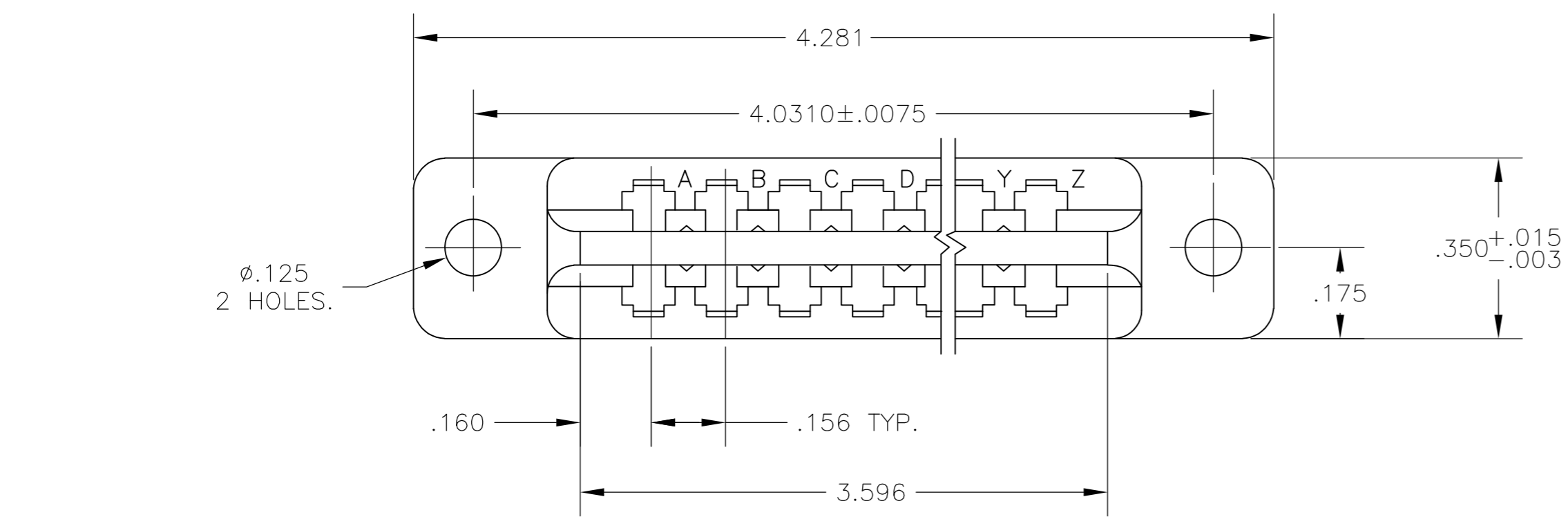
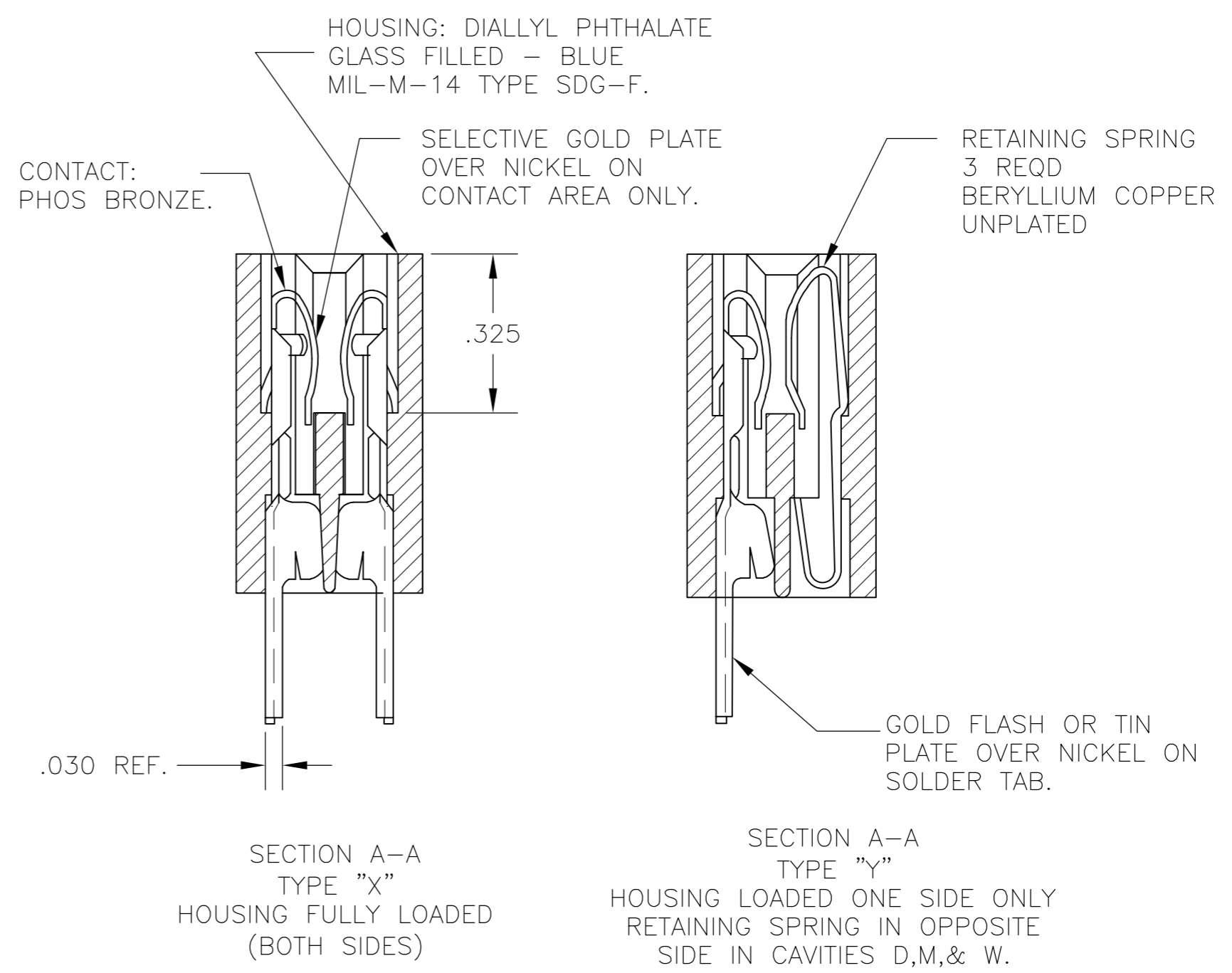


THIS DRAWING IS UNPUBLISHED. RELEASED FOR PUBLICATION  
 © COPYRIGHT BY TYCO ELECTRONICS CORPORATION. ALL RIGHTS RESERVED.

LOC		DIST		REVISIONS			
P	LTR	DESCRIPTION	DATE	DWN	APVD		
AD	00	H	REVISED PER ECO-11-005823	22MAR11	HMR	MM	



- BOARD THICKNESS .070-.055.
  - TAB WILL ACCOMODATE A MAX. OF 2 # 16 SOLID WIRES OR. A MAX. OF 2 # 18 STRANDED WIRES.
- 3 MATTE TIN PLATED CONTACT TAILS.



	5-582776-1	3	X
OBSOLETE	582776-4		Y
OBSOLETE	582776-3		X
OBSOLETE	582776-2		Y
	582776-1		X
	PART NO		TYPE

THIS DRAWING IS A CONTROLLED DOCUMENT.

DWN: M SMITH, 20SEP67  
 CHK: 25JAN68  
 APVD: 21FEB68

Tyco Electronics Corporation  
 Harrisburg, Pa 17105-3608

CONNECTION AMP LEAF, DUAL, 22 POS. WITH SOLDER TAB.

SIZE: A2, CAGE CODE: 00779, DRAWING NO: 582776, RESTRICTED TO: -

MATERIAL: SEE CALLOUT, FINISH: SEE CALLOUT, WEIGHT: -

CUSTOMER DRAWING, SCALE: 4:1, SHEET: 1 OF 1, REV: H