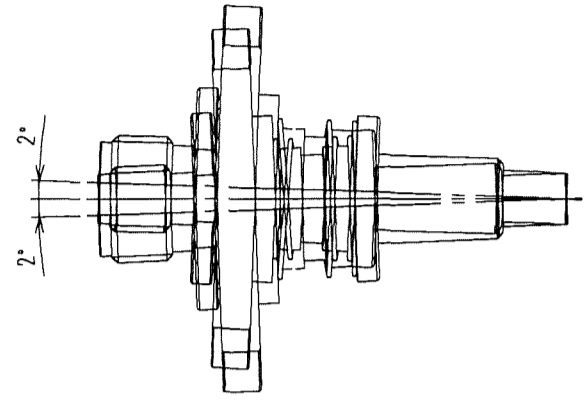


COUNT	DESCRIPTION OF REVISIONS	BY	CHKD	DATE	COUNT	DESCRIPTION OF REVISIONS	BY	CHKD	DATE
1	RE-J-02203	D.Y	R.K	04.7.14					

FIGURE 1 (2:1)



FLOATING AMOUNT ±0.5mm

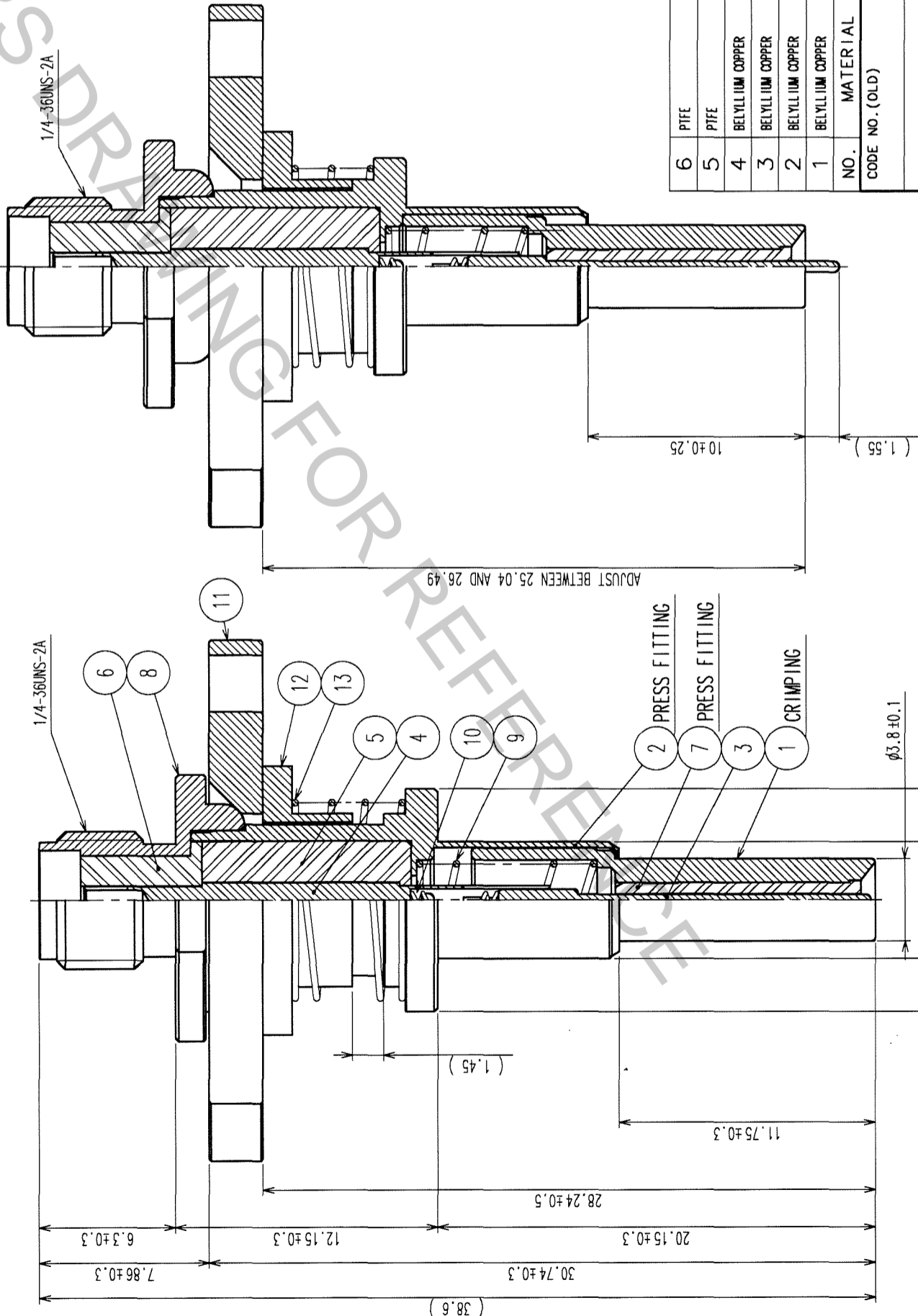
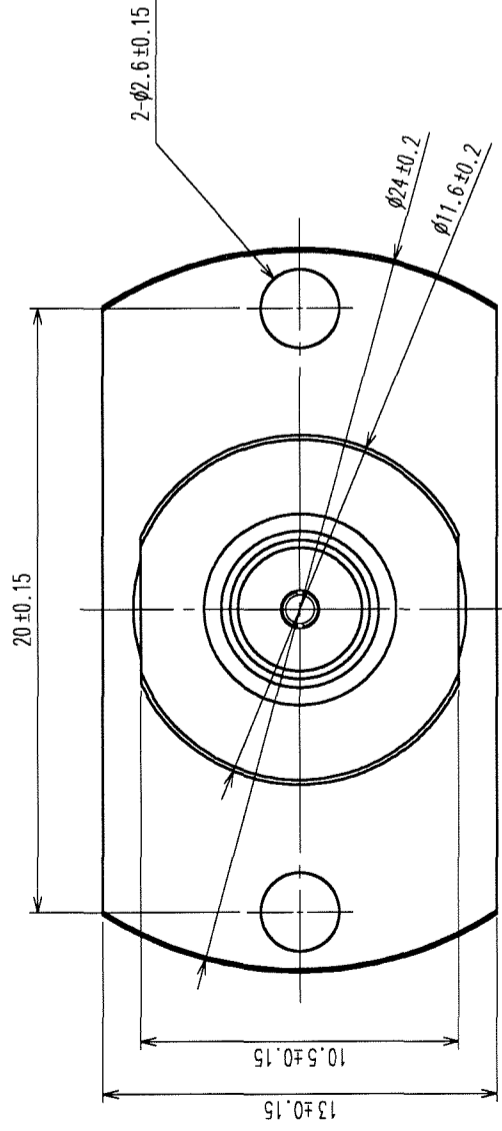
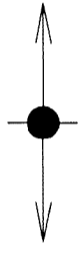
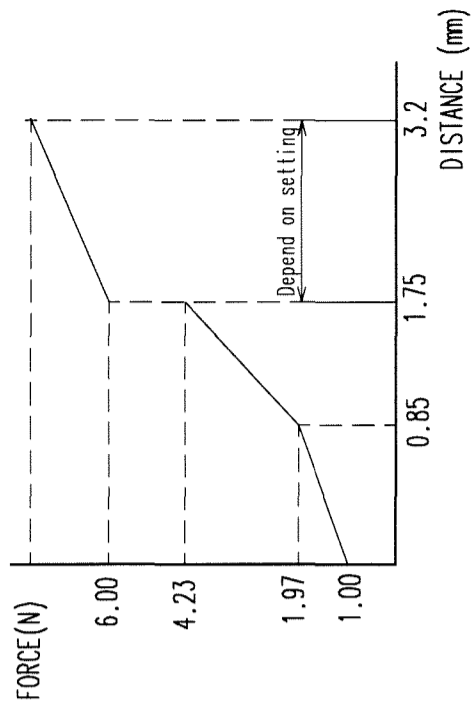


Chart of pressure



NO.	MATERIAL	FINISH, REMARKS	NO.	MATERIAL	FINISH, REMARKS
6	PtFE		13	STAINLESS STEEL	
5	PtFE		12	PHOSPHOR BRONZE	NICKEL PLATING
4	BERYLLIUM COPPER	GOLD PLATING	11	STAINLESS STEEL	PASSIVATE
3	BERYLLIUM COPPER	GOLD PLATING	10	STAINLESS STEEL	GOLD PLATING
2	BERYLLIUM COPPER	GOLD PLATING	9	STAINLESS STEEL	GOLD PLATING
1	BERYLLIUM COPPER	GOLD PLATING	8	STAINLESS STEEL	PASSIVATE
			7	PtFE	

CODE NO. (OLD)	DRAWN	DESIGNED	CHECKED	APPROVED	RELEASED
	D. Yamakoshi	D. Yamakoshi	R. Kano	K. Kawamura	
	'03.12.2	'03.12.2	'03.12.2	'03.12.2	'03.12.2

DRAWING NO.	EDC3-180371	PART NO.	MS-156-HRMJ-10
SCALE	4:1	CODE NO.	CL358-0194-0
UNITS	MM		

NOTE 1. Mating angle which is less than 2 degree is acceptable. (Refer to fig2)

TO	
RFD	