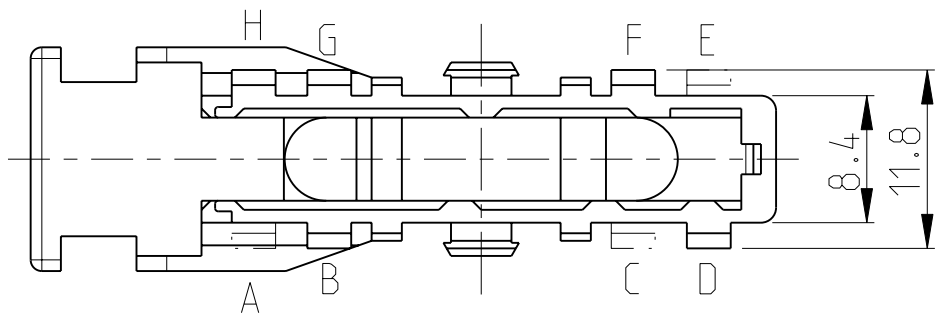
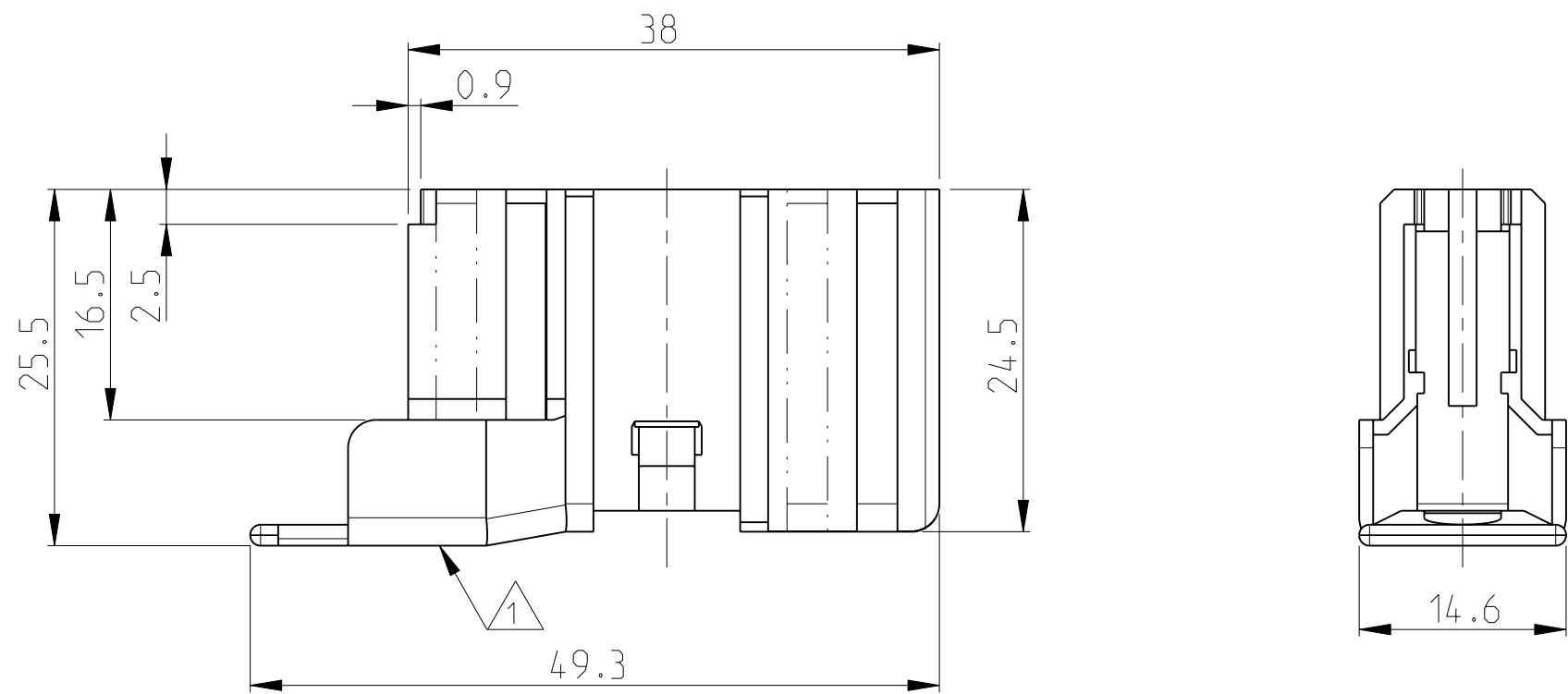


THIS DRAWING IS UNPUBLISHED. RELEASED FOR PUBLICATION 2007
 © COPYRIGHT 2007 BY TYCO ELECTRONICS CORPORATION. ALL RIGHTS RESERVED.

LOC	DIST	REVISIONS					
A1	-	P	LTR	DESCRIPTION	DATE	DWN	APVD
		D		Blatt 2 von 2 hinzu. Kod. -5 hinzu	13NOV1989		
		E		-6/-7. 1-...-0 bis 1-...-3 hinzu	19MAR1991	Richter	
		E1		NEW DRAWING CREATED	07SEP2007	Haas	Stre.
		E2		TABLE UPDATED	21JAN2008	Haas	Stre.

DESIGNATION Beschriftung	PART-NO. Bestell-Nr.	CODE Kodierung	COLOR Farbe	REV Revision
△1	927 689 - 8	A-D-F-G	YELLOW gelb	E
△1	927 689 - 9	A-B-E-H	BLACK schwarz	E
△1	1-927 689-0	B-C-E-F	GREY grau	E
△1	1-927 689-1	B-D-E-H	WHITE weiss	E
△1	1-927 689-2	A-C-D-E-H	BLUE blau	E
△1	1-927 689-3	B-D-F-G-H	GREEN gruen	E

1-927 693-3 AS SHOWN ; CODE B-D-F-G-H
 1-927 689-3 wie gezeichnet; Kodierung B-D-F-G-H

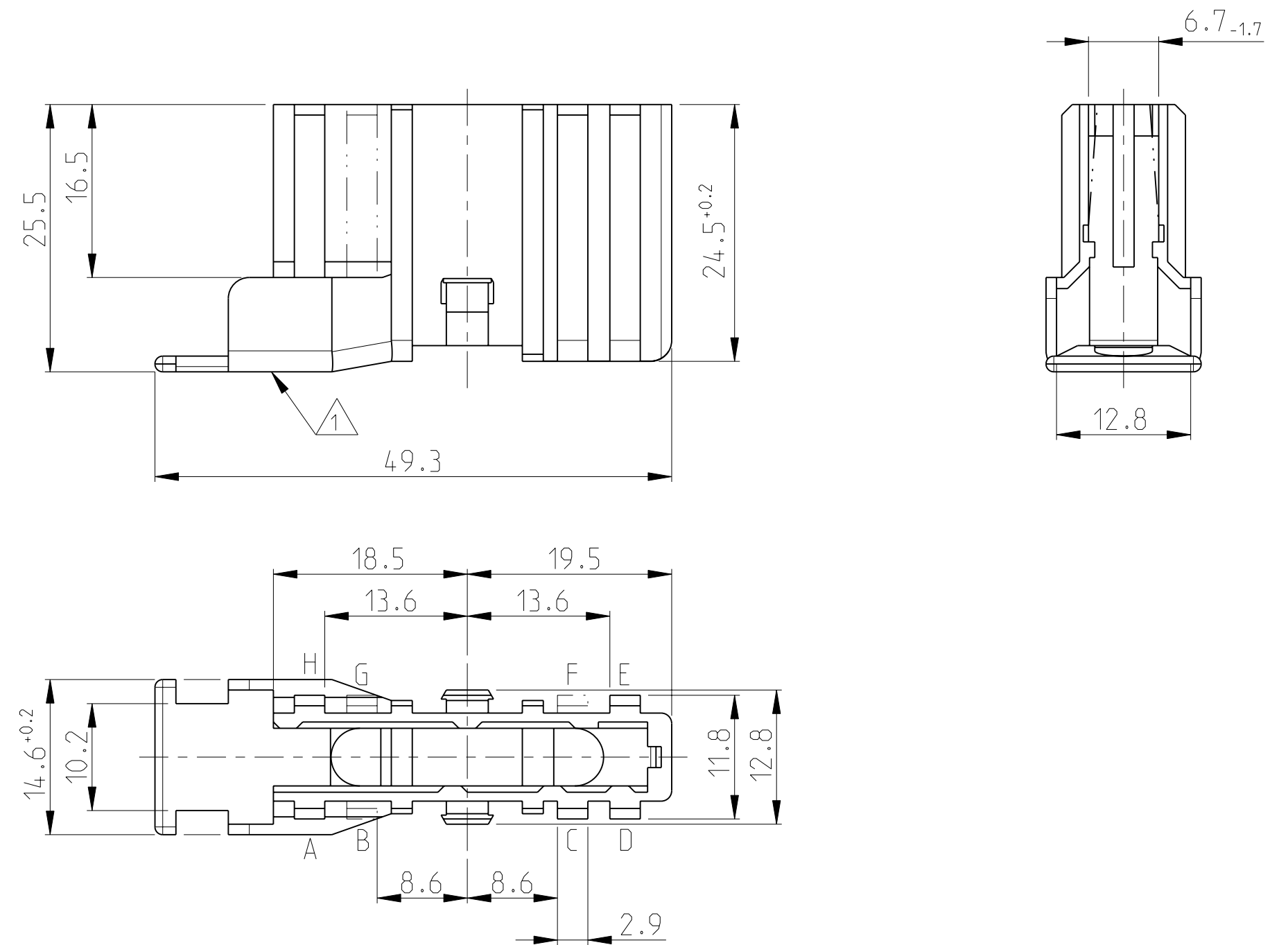


NOTES
Bemerkungen

- △1 LOCATION CODE; ARTWORK LOGO;
PART NUMBER: CHARACTERS ACC. TO DIN 1451
Laenderkennung; Firmenlogo; Teilenummer;
Mittelschrift nach DIN 1451
- △2 927 689-7 WITHOUT CODE A,B,C,D,E,F,G,H
927 689-7 ohne Kodierung A,B,C,D,E,F,G,H

DESIGNATION Beschriftung	PART-NO. Bestell-Nr.	CODE Kodierung	COLOR Farbe	REV Revision
△1	927 689 - 1	A-D-F-G	YELLOW gelb	E
△1	927 689 - 2	B-D-E-H	WHITE weiss	E
△1	927 689 - 3	A-C-D-E-H	BLUE blau	E
△1	927 689 - 4	B-D-F-G-H	GREEN gruen	E
△1	927 689 - 5	A-B-E-H	BLACK schwarz	E
△1	927 689 - 6	B-C-E-F	GREY grau	E
△1	927 689 - 7	△2	LILAC lila	E

927 693-3 AS SHOWN ;
 CODE A-C-D-E-H
 927 689-3 wie gezeichnet;
 Kodierung A-C-D-E-H



THIS DRAWING IS A CONTROLLED DOCUMENT FOR TYCO ELECTRONICS CORPORATION IT IS SUBJECT TO CHANGE AND THE CONTROLLING ENGINEERING ORGANIZATION SHOULD BE CONTACTED FOR THE LATEST REVISION.		DWN Jaeger 04 JUL 1993	Tyco Electronics AMP GmbH 64625 Bensheim (Germany)	
DIMENSIONS: mm		CHK Stredak.F. 03JAN2008	NAME SHIELD FOR 26 POS. MODU IV HOUSING	
TOLERANCES UNLESS OTHERWISE SPECIFIED: ±0.2mm		APVD Bleicher.M. 07JAN2008	SIZE A2	
0 PLC ±- 1 PLC ±- 2 PLC ±- 3 PLC ±- 4 PLC ±- ANGLES ±- FINISH		PRODUCT SPEC - APPLICATION SPEC -	CAGE CODE 00779	DRAWING NO 927689
MATERIAL Pa6.6 13GV		WEIGHT -	RESTRICTED TO -	SCALE 5:1
CUSTOMER DRAWING			SHEET 1 OF 1	REV E2