

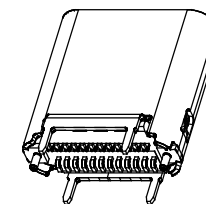
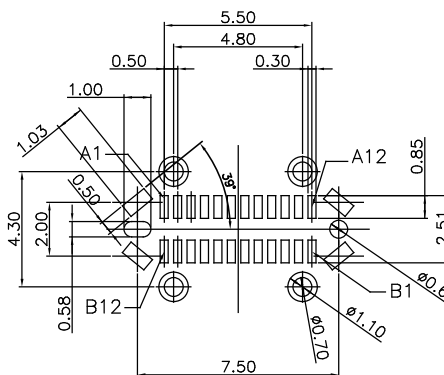
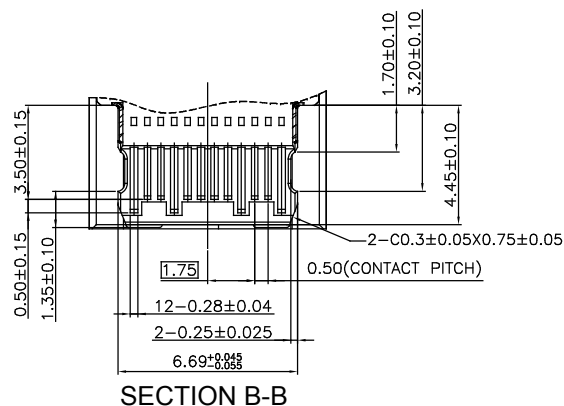
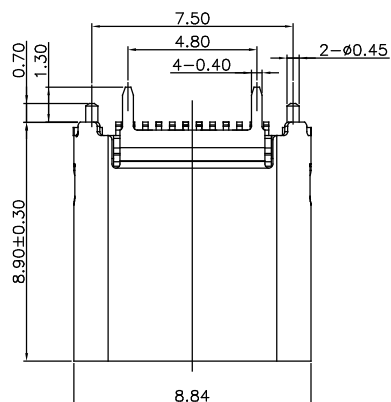
TOLERANCES UNLESS OTHERWISE SPECIFIED

UNIT (MM)  
 X.X ±0.30 ANGLE ±2°  
 X.XX ±0.20  
 X.XXX ±0.10

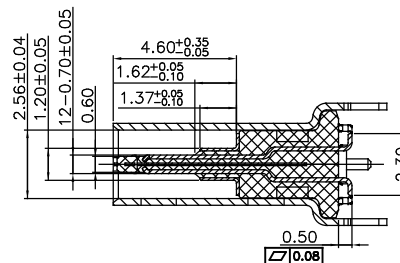
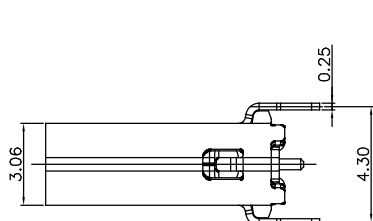
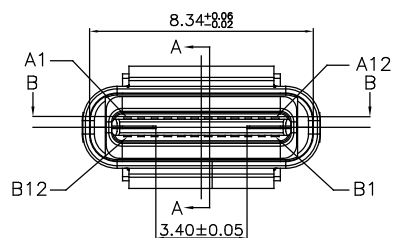
THIS IS A C.A.D. GENERATED DRAWING  
 DO NOT MAKE MANUAL REVISIONS TO MASTER.



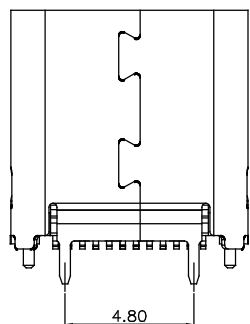
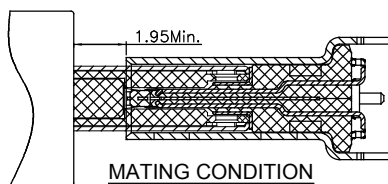
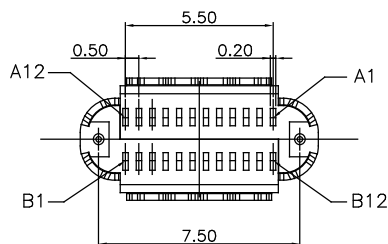
ISSUE NUMBER	
ORIGINAL	①
DRAWING REDRAWN SHEET # 2 ADDED N.SONDH JAN. 05/16	②
DRAWING UPDATED J.TAN NOV. 16/16	③
PCB LAYOUT UPDATED J.TAN DEC. 6/17	④



RECOMMEND P.C.B LAYOUT (COMPONENT SIDE)  
 TOLERANCE FOR PCB LAYOUT IS ± 0.05



SECTION A-A



Pin	Signal Name	Mating Sequence	Pin	Signal Name	Mating Sequence
A1	GND	First	B12	GND	First
A2	SSTXp1	Second	B11	SSRXp1	Second
A3	SSTXn1	Second	B10	SSRXn1	Second
A4	V <sub>bus</sub>	First	B9	V <sub>bus</sub>	First
A5	CC1	Second	B8	SBU2	Second
A6	Dp1	Second	B7	Dn2	Second
A7	Dn1	Second	B6	Dp2	Second
A8	SBU1	Second	B5	CC2	Second
A9	V <sub>bus</sub>	First	B4	V <sub>bus</sub>	First
A10	SSRXn2	Second	B3	SSTXn2	Second
A11	SSRXp2	Second	B2	SSTXp2	Second
A12	GND	First	B1	GND	First
SHELL	GND		SHELL	GND	

1. MATERIAL:

- 1.1 INSULATOR: HIGH TEMPERATURE PLASTIC UL 94 V-0 Black Color
- 1.2 CONTACT: COPPER ALLOY(T=0.15mm)
- 1.3 SHELL: STAINLESS STEEL(T=0.20mm)

2. ELECTRICAL CHARACTERISTICS:

- 2.1 CONTACT RESISTANCE: 40mΩ Max FOR INITIAL. 10mΩ CHANGE AFTER TEST. MEASURE AT 20mV, 100mA.
- 2.2 CONTACT CURRENT RATING: 5A FOR V<sub>bus</sub> PIN; 1.25A FOR VCONN PIN.
- 2.3 DIELECTRIC WITHSTANDING VOLTAGE: 100V AC R.M.S.
- 2.4 INSULATION RESISTANCE 100MΩ Min
- 2.5 OPERATING TEMPERATURE: -40°C ~ 85°C

3. MECHANICAL CHARACTERISTICS:

- 3.1 MATING FORCE: 5-20 N.
- 3.2 UNMATED FORCE: 8-20N AFTER TEST
- 3.3 DURABILITY: 10,000 CYCLES

4. PLATING

- 4.1 TERMINAL CONTACT: GOLD FLASH PLATING IN CONTACT AREA AND 80u" Min Matte Tin ON SOLDER AREA ALL OVER 50u" Min NICKEL UNDERPLATE.
- 4.2 SHELL: 50u" Min. NICKEL ALL OVER

USB C TYPE FEMALE SMT VERTICAL CONNECTOR

DRAWN: N.SONDH	DATE: JAN. 05/16
CHECKED:	DATE:
PART NUMBER	SH 1 OF 2
690-024-294-031	
DRAWING NUMBER	ISSUE
690-024-294-031	4



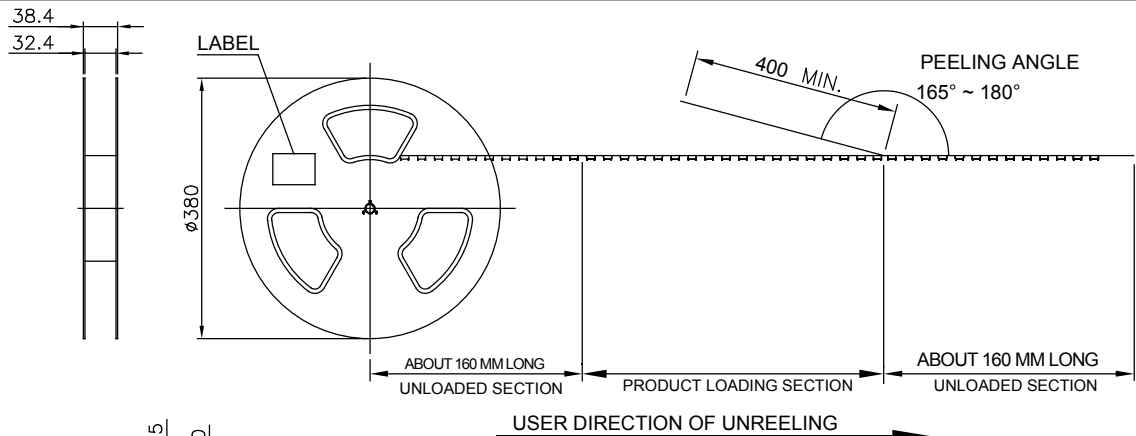
THIS SERIES FULLY CONFORMS TO THE EUROPEAN UNION DIRECTIVES 2011/65/EU RoHS COMPLIANCY.



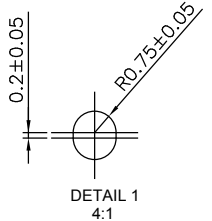
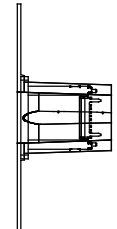
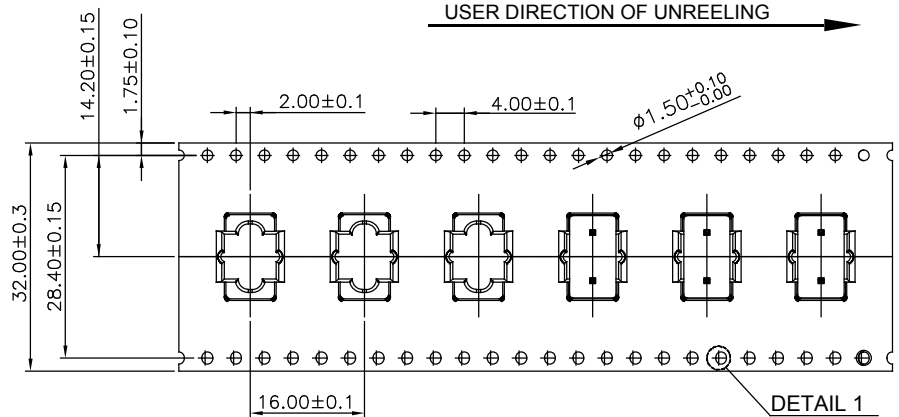
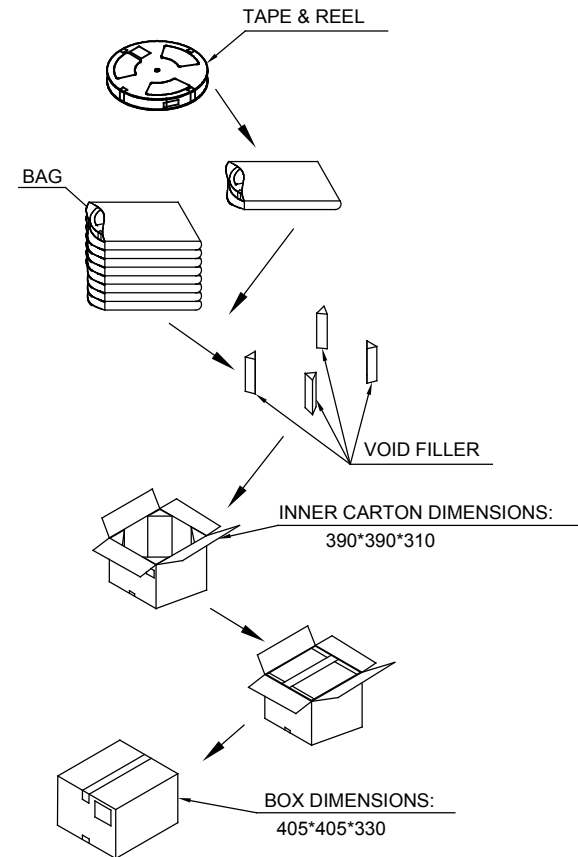
EDAC INC  
 TORONTO, ONTARIO  
 CANADA

YOUR CONNECTION TO QUALITY & SERVICE

THESE DRAWINGS AND SPECIFICATIONS ARE THE PROPERTY OF EDAC INC., AND SHALL NOT BE REPRODUCED, OR COPIED OR USED AS THE BASIS FOR THE MANUFACTURE OR SALE OF APPARATUS WITHOUT WRITTEN PERMISSION.



THIS IS A C.A.D. GENERATED DRAWING  
DO NOT MAKE MANUAL REVISIONS TO MASTER.



**NOTE:**

- 1.MATERIAL:  
BOX: FIBREBOARD, CORRUGATED, DOUBLE WALL.  
TAPE: POLYSTYRENES, HEAT-RESISTANT TEMPERATURE: 120°C, BLACK COLOR.  
REEL: POLYSTYRENES, HEAT-RESISTANT TEMPERATURE: 70°C, BLUE COLOR.  
BAG: POLYETHYLENE, HEAT-RESISTANT TEMPERATURE: 100°C.

- 2.PEELING STRENGTH: 0.1 ~ 1.3 N (10 ~ 130 GRAMS)
- 3.PEELING SPEED: 300 mm/min.
- 4.EACH BAG SHALL BE INCLUDED DESICCANT.

**USB C TYPE FEMALE SMT VERTICAL CONNECTOR**

**EDAC INC**  
TORONTO, ONTARIO  
CANADA  
YOUR CONNECTION TO QUALITY & SERVICE

THESE DRAWINGS AND SPECIFICATIONS ARE THE PROPERTY OF EDAC INC., AND SHALL NOT BE REPRODUCED OR COPIED OR USED AS THE BASIS FOR THE MANUFACTURE OR SALE OF APPARATUS WITHOUT WRITTEN PERMISSION.

400	8	3200 PCS	-- KG	-- KG
PCS/ REEL	REELS/ CARTON	QUANTITY	GROSS WEIGHT	NET WEIGHT

DRAWN: N.SONDH		DATE: JAN. 05/16	
CHECKED:		DATE:	
PART NUMBER		SH 2 OF 2	
<b>690-024-294-031</b>			
DRAWING NUMBER			ISSUE
<b>690-024-294-031</b>			<b>4</b>

THIS SERIES FULLY CONFORMS TO THE EUROPEAN UNION DIRECTIVES 2011/65/EU RoHS COMPLIANCY.