

PRODUCT NUMBER
20020036-XXXXXXLF

20020036 — B 0 L F

PITCH

C: 3.50 mm
D: 3.81 mm
H: 5.08 mm

POLES

02: 2 POLES
03: 3 POLES
.....
24: 24 POLES

LF : DENOTED RoHS COMPATIBLE

1 : STANDARD PRODUCT
W/ BOX PACKING

HOUSING CODE

CODE	COLOR	AVAILABILTY
1	GREEN(RAL 6018/T)	STANDARD
2	BLACK	ON REQUEST ONLY
3	GREY(RAL 7004/P)	ON REQUEST ONLY
4	BLUE(RAL 5015/A)	ON REQUEST ONLY

PROPERTY TABLE					
FCI SERIES NAME		35-350	35-381	35-508	
PITCH (mm)		3.50	3.81	5.08	
VOLTAGE RATING (VAC)		300	300	300	
CURRENT RATING (A)		8	8	10	
APPLICABLE WIRE RANGE (AWG)	1-WIRE	16~28	16~28	12~26	
	2-WIRE	NA	NA	NA	
WIRE CROSS SECTION (mm ²)	SOLID	1-WIRE	1.5	1.5	2.5
		2-WIRE	NA	NA	NA
	STRANDED	1-WIRE	1.5	1.5	2.5
		2-WIRE	NA	NA	NA
OPENING CONTACT HOUSING(mm ²)		1.6x1.6	2.4x1.7	2.2x2.7	
WIRE STRIP LENGTH(mm)		8~9	8~9	9~10	
WITHSTANDING VOLTAGE (kV)		1.6	1.6	1.6	
OPERATING TEMP. (°C)		-40~+115	-40~+115	-40~+115	
POLES AVAILABLE		02~24	02~24	02~24	
SAFETY CERTIFICATE					

NOTES:

1. MATERIALS

- 1-1 HOUSING: THERMALPLASTIC RESIN, UL 94V-0 RATED.
- 1-2 INSULATING LEVER: THERMALPLASTIC RESIN, UL 94V-0 RATED.
- 1-3 WIRE GUARD : STAINLESS STEEL.
- 1-4 TERMINAL: COPPER ALLOY, TIN PLATED.
- 1-5 SCREW: STEEL, ZINC PLATED.

2. PRODUCT SPECIFICATION REFER TO FCI GS-12-625.

3. PRODUCT PACKING SPECIFICATION REFER TO FCI GS-14-1394.

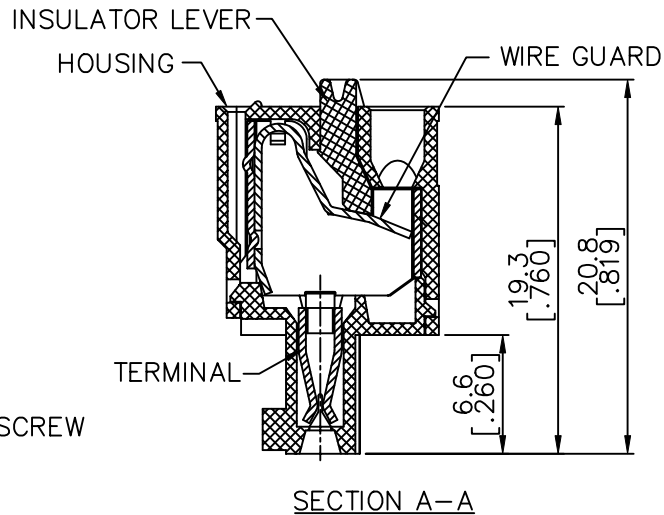
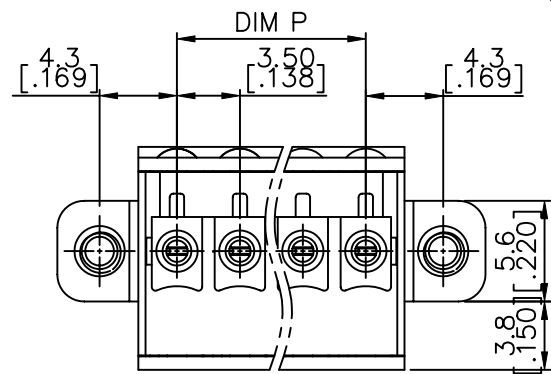
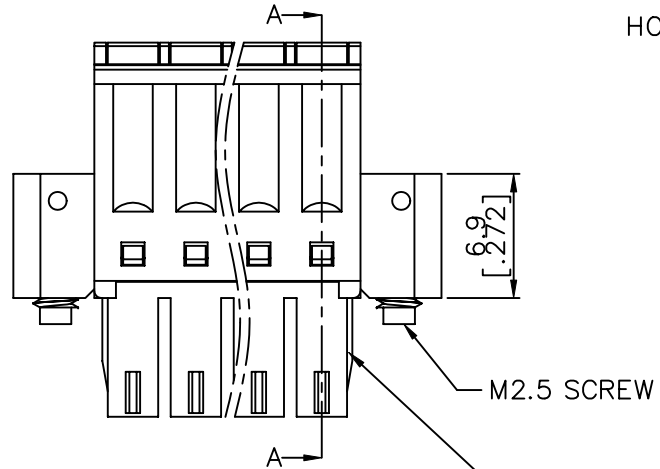
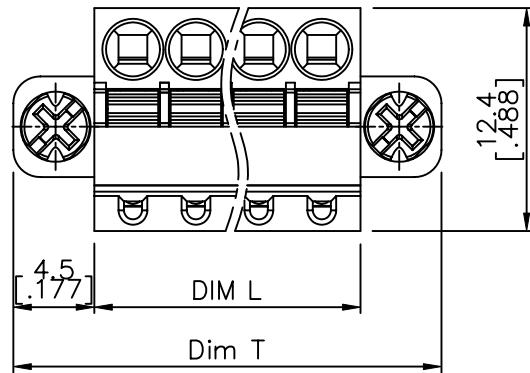
4. FCI, SAFETY CERTIFICATE LOGO AND SERIES NAME TO BE SHOWN ON PRODUCT SURFACE.

5. THE PRODUCTS WHERE THE PART NUMBER END IN "LF" MEET THE EUROPEAN UNION DIRECTIVE AND OTHER COUNTRY REGULATIONS AS DESCRIBED IN GS-22-008.

mat'l. code		surface ASME Y14.5 ✓		tolerance ASME Y14.5		projection		product family	
ltr		ecn no	dr	date		tolerances unless otherwise specified		TERMINAL BLOCK	
A	T11-0004	WL		011811		X.±0.5		title	
B	T-005306	WL		082311		X.X±0.3		TERMINAL BLOCK	
						X°±1°		PLUGGABLE SIGNAL PLUG, MIDDLESIDE CONTACT W/FLANGE	
						X.XX±0.1		scale	
				dr		WENDY CHEN		122210	
				enr		JASON HSU		122210	
				chr		JASON HSU		122210	
				appd		JASON HSU		122210	
sheet index		revision sheet		B	B	B	B	FCI	
				1	2	3	4	dwg no	
								sheet 1 of 4	
								20020036	
								A4	
								type	
								CUSTOMER Drawing	



PRODUCT NUMBER	SERIES NAME	PITCH
20020036-CXXXXXLf	35-350	3.50 mm



N = Number of poles
 DIM. L = (N x 3.5 [.138]) + 0.8 [.031]
 DIM. P = (N - 1) x 3.5 [.138]
 DIM. T = N x 3.5 [.138] + 9.8 [.386]

POLES	DIM. L & P	DIM. T
2-6p	±0.10 [.004]	±0.15 [.006]
7-12p	±0.15 [.006]	±0.20 [.008]
13-18p	±0.20 [.008]	±0.30 [.012]
19-24p	±0.30 [.012]	±0.40 [.016]

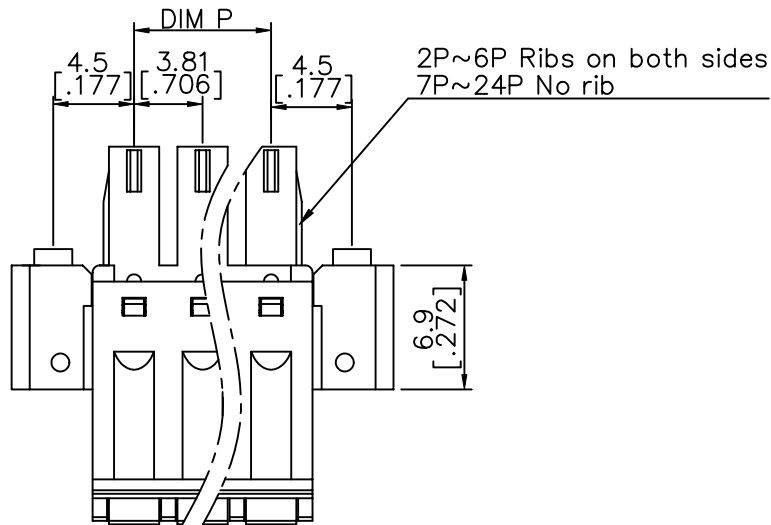
2P~6P Ribs on both sides
 7P~24P No rib

mat'l. code		surface ASME Y14.5	tolerance ASME Y14.5	projection	product family TERMINAL BLOCK
ltr	ecn no	dr	date	tolerances unless otherwise specified	title
B				$X \pm 0.5$ $X.X \pm 0.3$ $X.XX \pm 0.1$	TERMINAL BLOCK PLUGGABLE SIGNAL PLUG, MIDDLESIDE CONTACT W/FLANGE
				$X \pm 1^*$ $X^* \pm 1^*$	scale MM INCH
		dr	WENDY CHEN	122210	dwg no
		enr	JASON HSU	122210	sheet 2 of 4
		chr	JASON HSU	122210	size
		appd	JASON HSU	122210	20020036
					A4
					type
					CUSTOMER Drawing
sheet index	revision sheet				



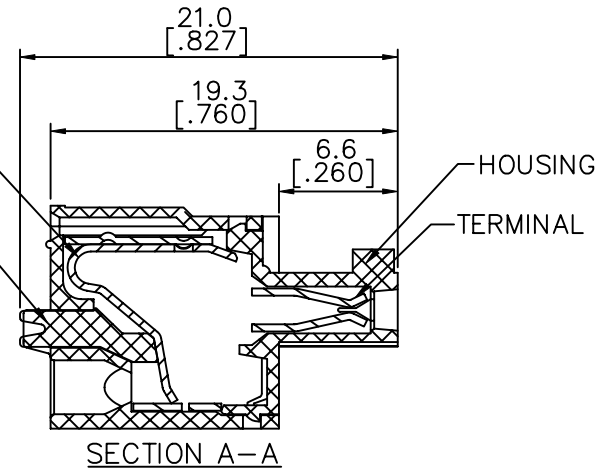
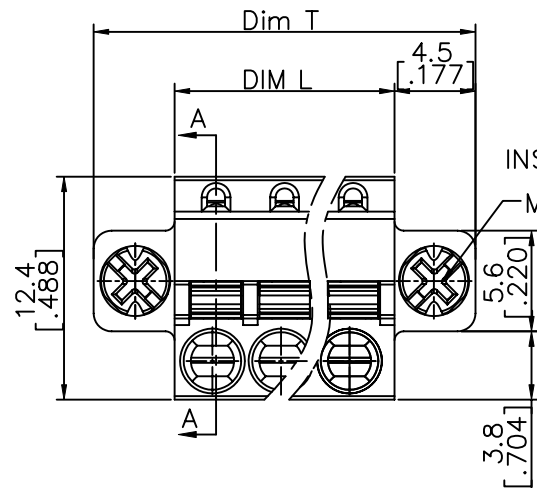


PRODUCT NUMBER	SERIES NAME	PITCH
20020036-DXXXXXLF	35-381	3.81 mm



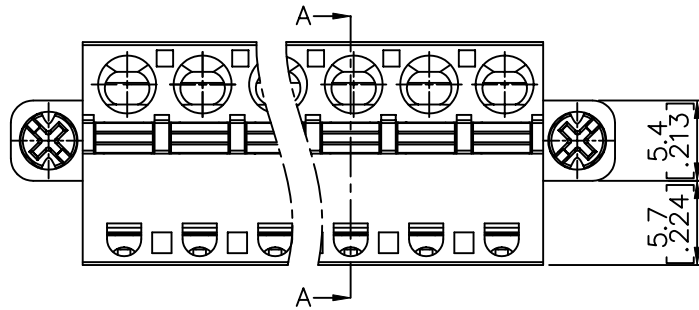
N = Number of poles
 DIM. L=(N×3.81[.150])+0.8[.031]
 DIM. P=(N-1)×3.81[.150]
 DIM. T=N×3.81[.150]+9.8[.386]

POLES	DIM. L & P	DIM. T
2-6p	±0.15[.006]	±0.15[.006]
7-12p	±0.20[.008]	±0.20[.008]
13-18p	±0.30[.012]	±0.30[.012]
19-24p	±0.40[.016]	±0.40[.016]



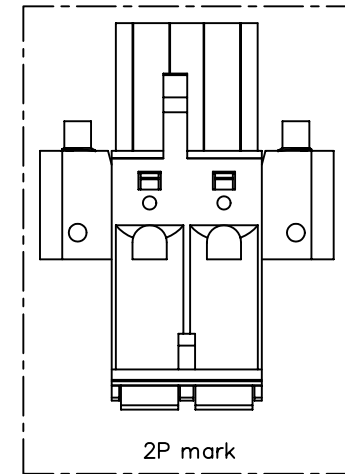
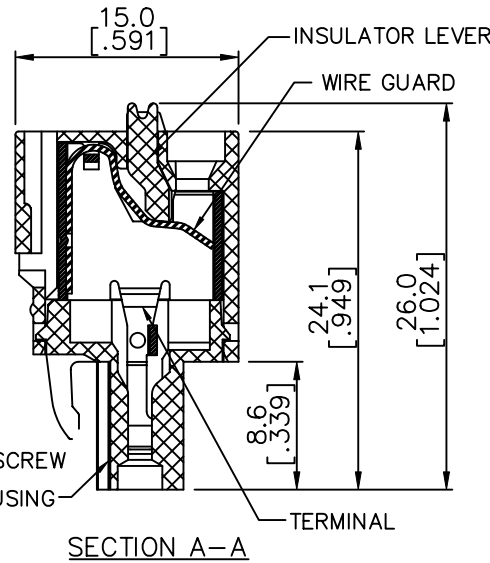
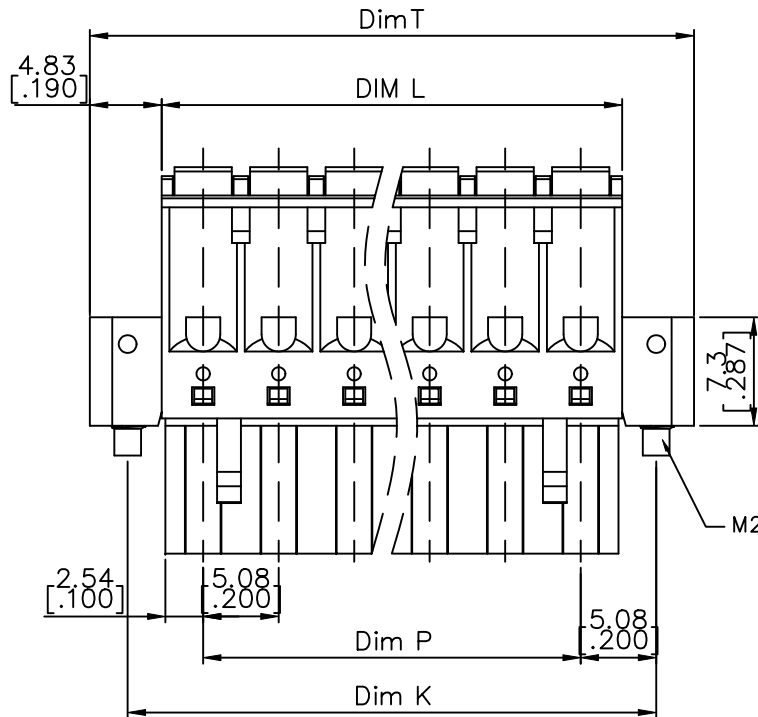
mat'l. code		surface ASME Y14.5 ✓	tolerance ASME Y14.5	projection 	product family TERMINAL BLOCK
ltr	ecn no	dr	date	title TERMINAL BLOCK PLUGGABLE SIGNAL PLUG, MIDDLESIDE CONTACT W/FLANGE	
B				angles X°±1'	scale MM [INCH]
				int	
				X.XX±0.1	dwg no 20020036
		dr	WENDY CHEN 122210		sheet 3 of 4 size A4
		enr	JASON HSU 122210		type CUSTOMER Drawing
		chr	JASON HSU 122210		
		appd	JASON HSU 122210		
sheet index	revision sheet				

PRODUCT NUMBER	SERIES NAME	PITCH
20020036-HXXXXXLF	35-508	5.08 mm



N = Number of poles
 DIM. L=(N×5.08[.200])+0.5[.020]
 DIM. P=(N-1)×5.08[.200]
 DIM. T=N×5.08[.200]+10.16[.400]
 DIM. K=(N+1)×5.08[.200]

POLES	Dim.L & P & T & K
2-6p	±0.15[.006]
7-12p	±0.20[.008]
13-16p	±0.30[.012]
17-24p	±0.40[.016]



mat'l. code		surface ASME Y14.5	tolerance ASME Y14.5	projection 	product family TERMINAL BLOCK	
ltr		ecn no dr date		tolerances unless otherwise specified	title	
B				angles X±0.5 X.X±0.3 X°±1'	TERMINAL BLOCK PLUGGABLE SIGNAL PLUG, MIDDLESIDE CONTACT W/FLANGE	
				scale MM	dwg no	
		dr	WENDY CHEN 122210		sheet 4 of 4 size	
		enr	JASON HSU 122210		20020036	A4
		chr	JASON HSU 122210			
		appd	JASON HSU 122210		type	CUSTOMER Drawing
sheet index	revision sheet					