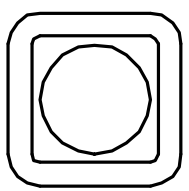
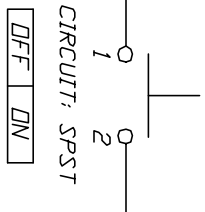
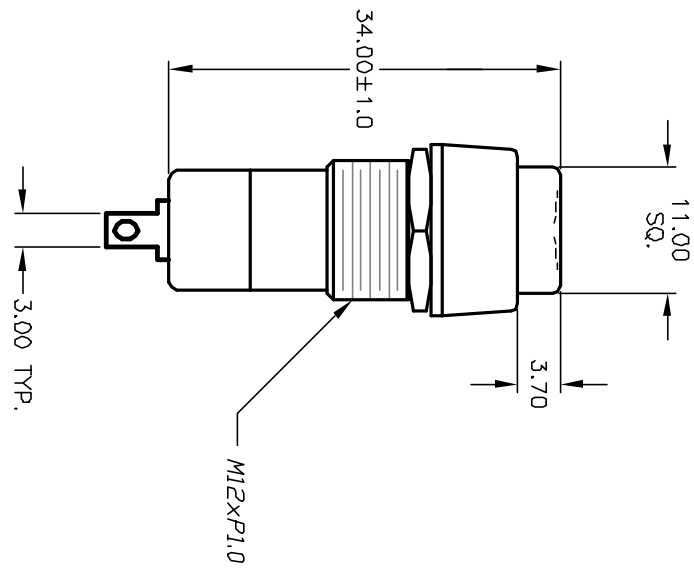
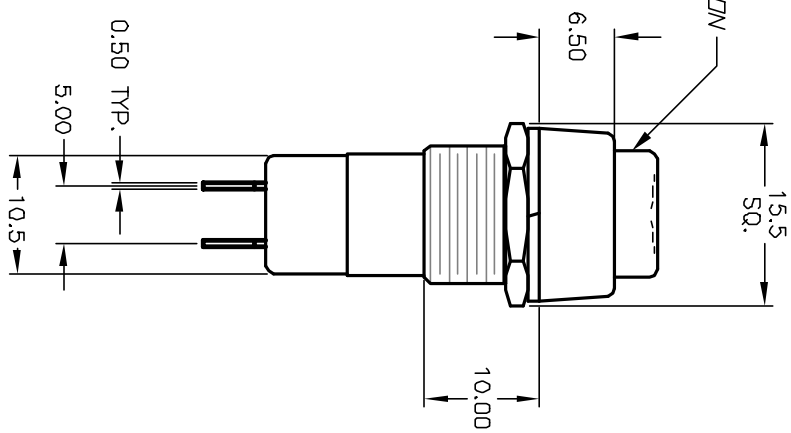


RECOMMENDED PANEL LAYOUT
NOT TO SCALE



BLACK BUTTON
C



CIRCUIT: SPST

DIFF DN

NOTES:

1. ALL DIMENSIONS IN MM
2. GENERAL TOLERANCE: X.X=±0.4
X.XX=±0.25
3. TERMINAL NO'S FOR REFERENCE ONLY
4. RATING: 3A@ 125VAC, 1.5A@ 250VAC
5. MATERIAL: Silver Plating
6. CONTACT RESISTANCE: 50milli-Ohms
7. INSULATION RESISTANCE: 500V DC 100Mega-Ohm min.
8. DIELECTRIC STRENGTH: 1000V AC 1minute
9. MECHANICAL LIFE: 6,000 Cycles

C	12552	ADD NOTE 9, REMOVED TAB.	11/12/02	CJB
B	11563	ADD NOTES & TABULATION	7/12/01	CJB
REV.	ECN No.	DESCRIPTION	DATE	CHKD

E-SWITCH®

TITLE		PS 1023B (BLK BUTTON)	
SCALE	DATE	DR	DWG
1.5:1	8/30/96	MM	F010232
REV		C	

THE INFORMATION CONTAINED IN THIS DOCUMENT IS PROPRIETARY TO E-SWITCH AND IS NOT TO BE COPIED OR TRANSMITTED