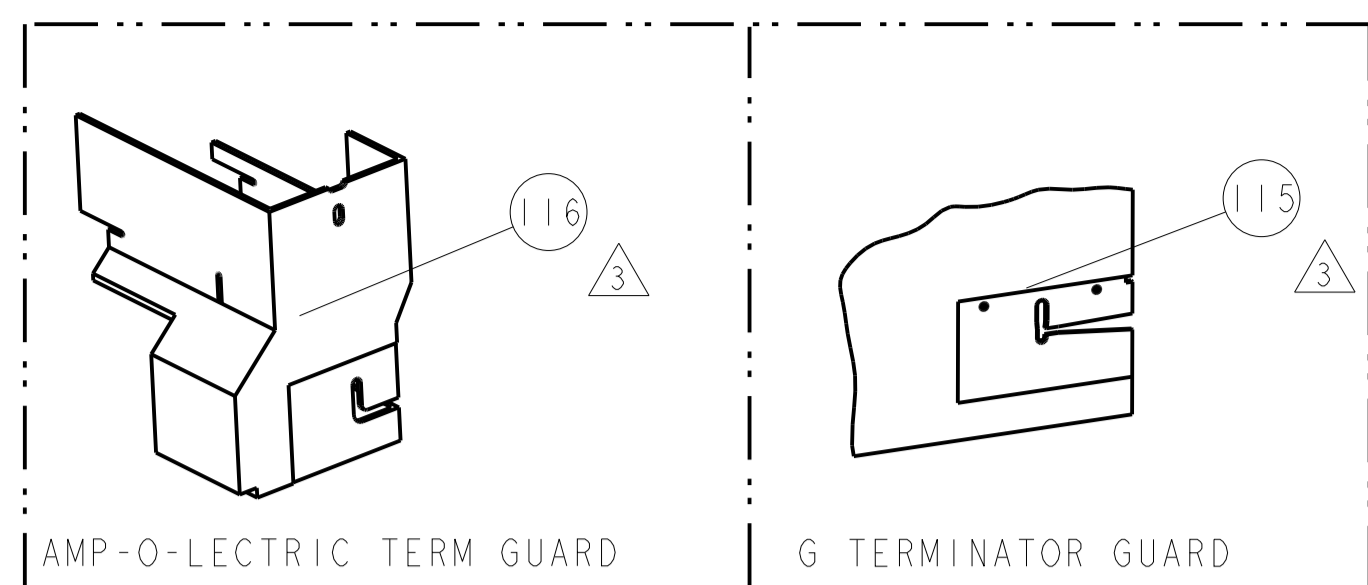


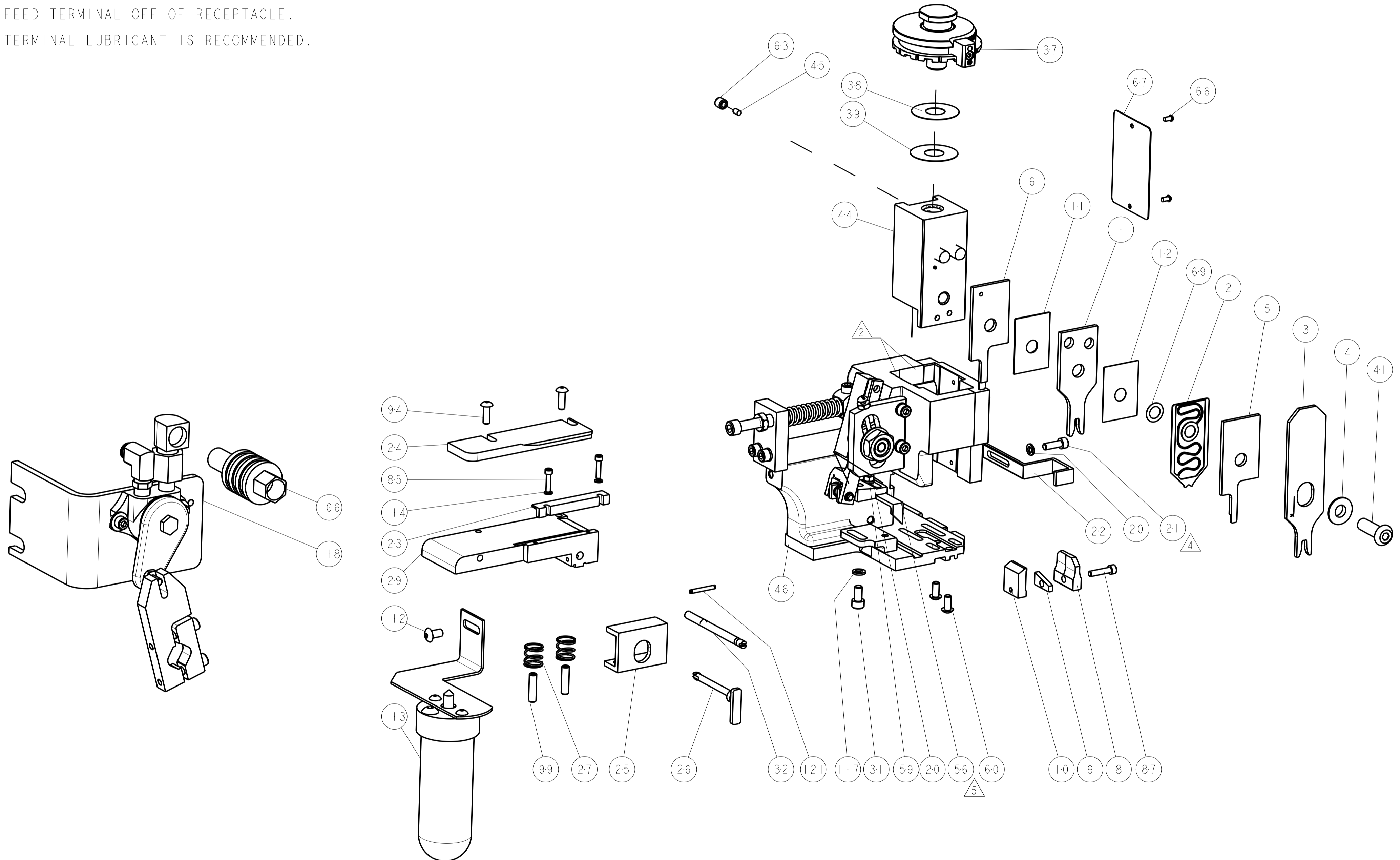
PART NUMBER	REV	FIRST USED	POWER UNIT	FEED TYPE	DESCRIPTION
1855420-1	E	122500-1	LEADMAKER	AIR FEED	CUTS CARRIER
1855420-2	E	565435-5	BENCH MODEL K	AIR FEED	CUTS CARRIER
1855420-3	E	354500-1	BENCH MODEL G	AIR FEED	CUTS CARRIER
7-1855420-7	D	-	-	-	SPARE PARTS

- 1 RECOMMENDED SPARE PARTS
- 2 GREASE LIGHTLY
- 3 GUARD MUST BE IN PLACE WHEN OPERATING APPLICATOR IN A BENCH MACHINE
- 4 INSTALL ITEMS 101, 102, 119 ON SIDE OF STRIPPER ON APPLICATOR HOUSING USING ITEM 21. ITEMS 101, 102 AND 119 ARE NOT SHOWN.
- 5 FEED TERMINAL OFF OF RECEPTACLE.
- 6 TERMINAL LUBRICANT IS RECOMMENDED.

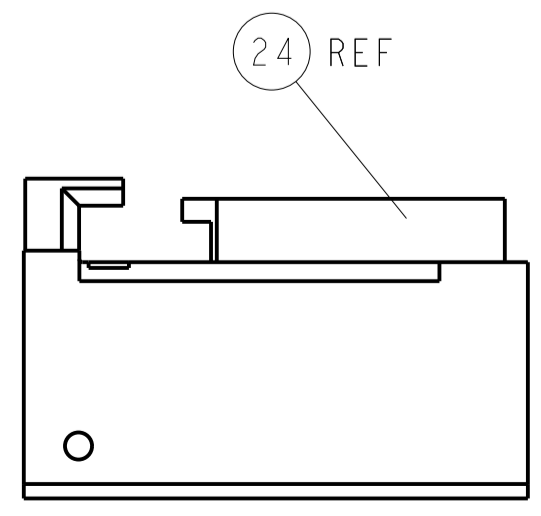
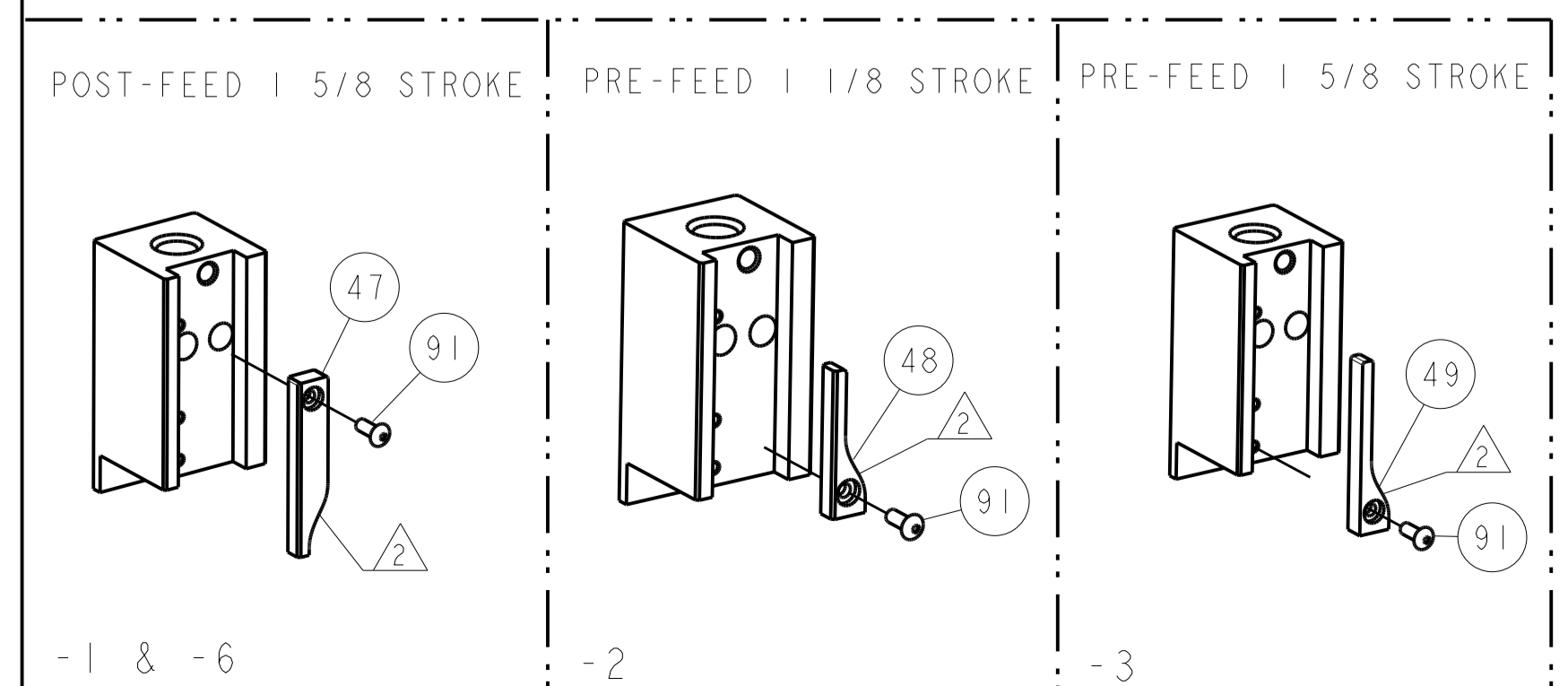


TERMINAL NAME: FLAG 6			
TE PN	CRIMP	SIZE	TYPE
1-280050-2	-	-	-
100644-4	-	CRIMP HEIGHT	WIRE SIZE
280428-2	-	1.55mm±.05/.05[.061+.002/-0.002]	1.5mm2
284697-1	-	1.47mm±.05/.05[.058+.002/-0.002]	1mm2
280050-2	-	1.40mm±.05/.05[.055+.002/-0.002]	18AWG or 0.75mm2
280428-4	-	1.32mm±.05/.05[.052+.002/-0.002]	0.50mm2
2-280428-4	-	-	-
WIRE STRIP LENGTH	TERM APPL SPEC	FEED	SET UP GAGE
5.50-6.50	114-20088	20.82	458637-1

LOC	DIST	REV	DATE	BY	APPV
A	66	E1	28FEB2014	LG	TE



QTY	UNIT	PART NO	DESCRIPTION	ITEM NO
1	IN	4-21028-0	PIN, SLOTTED SPRING .094 X .750	121
18	IN	27319-4	TUBING 1/4" O.D.	119
1	ASSEMBLY	692655-6	AIR FEED VALVE ASSEMBLY	118
1	WASHER	21024-5	WASHER, SPRG LOCK, REG NO 10	117
REF	GUARD WINDOW	455749-1	GUARD WINDOW	116
REF	INSERT, GUARD	679532-1	INSERT, GUARD	115
2	WASHER	21024-2	WASHER, SPRG LOCK, REG NO 4	114
1	LUBRICATOR ASSY	1-465184-0	LUBRICATOR ASSY	113
1	SCR, BTN SKT HD CAP	2-21002-6	SCR, BTN SKT HD CAP 10-32 X .375	112
1	VALVE, SLEEVE, 3-WAY	24042-2	VALVE, SLEEVE, 3-WAY	106
1	CLAMP, CABLE, BLACK	986220-3	CLAMP, CABLE, BLACK	102
1	INSERT, COUPLING	23238-1	INSERT, COUPLING	101
2	SCR, SET, CUP POINT	5-21006-6	SCR, SET, CUP POINT 10-32 X .750	99
2	SCR, BTN SKT HD CAP	2-21002-2	SCR, BTN SKT HD CAP 8-32 X .500	94
1	SCR, BTN SKT HD CAP	1-21002-7	SCR, BTN SKT HD CAP 6-32 X .375	91
1	SCR, SKT HD CAP	2-21000-1	SCR, SKT HD CAP 6-32 X .625	87
2	SCR, SKT HD CAP	1-21000-5	SCR, SKT HD CAP 4-40 X .500	85
1	SF APPL INST	4088040	SF APPL INST 408-8040	72
1	GENERAL INSTRUCTION PKG	217238-1	GENERAL INSTRUCTION PKG	71
1	WASHER, SPACER	2119943-1	WASHER, SPACER	69
1	PLATE, IDENTIFICATION	461264-5	PLATE, IDENTIFICATION	67
2	SCREW, DRIVE	21017-2	SCREW, DRIVE	66
1	SCR, SET, SELF LOCKING	21009-2	SCR, SET, SELF LOCKING 1/4-20 X .250	63
2	SCR, BHSC, SELF-LOCKING	22733-8	SCR, BHSC, SELF-LOCKING, 8-32 X .375	60
1	SCR, HEX HD CAP	2-22603-0	SCR, HEX HD CAP 8-32 X .312	59
1	PAWL, FEED	458537-2	PAWL, FEED	56
1	CAM, PRE-FEED	690602-6	CAM, PRE-FEED 1 5/8	49
1	CAM, PRE-FEED	690602-5	CAM, PRE-FEED 1 1/8	48
1	CAM, TERMINAL FEED	690501-4	CAM, TERMINAL FEED	47
1	APPL. BASIC SUB ASSY	1-459456-2	APPL. BASIC SUB ASSY (SIDE WISE MOCA)	46
1	PLUG, NYLON	690191-1	PLUG, NYLON	45
1	RAM, SIDE FEED	2-455673-1	RAM, SIDE FEED	44
1	CRIMPER, BOLT SPECIAL	690686-2	CRIMPER, BOLT SPECIAL	41
1	SHIM SUB-ASSY	690125-1	SHIM SUB-ASSY	39
1	SHIM	469367-1	SHIM	38
1	FINE ADJUST HEAD ASSEMBLY	879103-2	FINE ADJUST HEAD ASSEMBLY	37
1	ADJUSTMENT SCREW	690432-3	ADJUSTMENT SCREW	32
1	SCR, SKT HD CAP	3-21000-4	SCR, SKT HD CAP 10-32 X .375	31
1	PLATE, STRIP GUIDE	455671-1	PLATE, STRIP GUIDE	29
2	SPRING, COMPRESSION	22284-1	SPRING, COMPRESSION	27
1	LEVER, DRAG RELEASE	690546-1	LEVER, DRAG RELEASE	26
1	DRAG, STOCK	690792-3	DRAG, STOCK	25
1	GUIDE, REAR STRIP	1-690440-8	GUIDE, REAR STRIP	24
1	FRONT STRIP GUIDE	690712-2	FRONT STRIP GUIDE	23
1	STRIPPER	1-458230-1	STRIPPER	22
1	SCR, SKT HD CAP	2-21000-7	SCR, SKT HD CAP 8-32 X .500	21
2	WASHER, SPRG LOCK	21024-4	WASHER, SPRG LOCK, REG NO 8	20
1	SPACER, CRIMPER	455888-1	SPACER, CRIMPER	12
1	SPACER, CRIMPER	455888-6	SPACER, CRIMPER	11
1	SHEAR PLATE	690787-1	SHEAR PLATE	10
1	BLOCK, SHEAR SPACER	690790-1	BLOCK, SHEAR SPACER	9
1	ANVIL, SPECIAL	454639-5	ANVIL, SPECIAL	8
-	-	-	-	7
1	BLADE, SLUG	3-853720-0	BLADE, SLUG	6
1	BLADE, SLUG	1-853721-1	BLADE, SLUG	5
1	BLOCK, FL CRIMPER SPACER	238009-4	BLOCK, FL CRIMPER SPACER	4
1	CRIMPER, INSULATION PREMIUM	3-683453-1	CRIMPER, INSULATION PREMIUM	3
1	DEPRESSOR, WIRE	2119791-9	DEPRESSOR, WIRE	2
1	CRIMPER, WIRE PREMIUM	456407-8	CRIMPER, WIRE PREMIUM	1



THIS DRAWING IS A CONTROLLED DOCUMENT.		DATE: 08SEP2008	REV: 08SEP2008
DIMENSIONS: INCHES		TOLERANCES UNLESS OTHERWISE SPECIFIED:	APV: 08SEP2008
0 PLC	±	1 PLC	±0.1
1 PLC	±0.01	2 PLC	±0.001
3 PLC	±0.001	4 PLC	±0.0001
MATERIAL:		FINISH:	WEIGHT:
Customer Accessible Production Drawing		SCALE: 3:5	SHEET 1 OF 1