

# OMNIMATE Power Through-Panel Terminals

<b>OMNIMATE Power Through-Panel Terminals</b>	Through-Panel Terminals for devices Series PGK 4 and WGK	Explanation	J.2
		System overview	J.6
		Quick selection	J.8
	Through-Panel Terminals for devices Series PGK 4 – “PUSH IN” connection	Product selection	
		- Max. clamping range 4 mm <sup>2</sup>	J.10
	Through-Panel Terminals for devices Series WGK – connects up to 95 mm <sup>2</sup>	Product selection	
		- Max. clamping range 6 mm <sup>2</sup>	J.12
		- Max. clamping range 10 mm <sup>2</sup>	J.14
		- Max. clamping range 16 mm <sup>2</sup>	J.16
		- Max. clamping range 25 mm <sup>2</sup>	J.18
		- Max. clamping range 35 mm <sup>2</sup>	J.20
		- Max. clamping range 50 mm <sup>2</sup>	J.22
		- Max. clamping range 95 mm <sup>2</sup>	J.24

# OMNIMATE – “PUSH IN” PGK 4 through-panel terminal

## Comfortable, cost-saving installation and connection of conductors up to 4 mm<sup>2</sup>

**In your applications space is limited. Save space and time for your housing feedthrough with our flexible connection system. Let’s connect.**

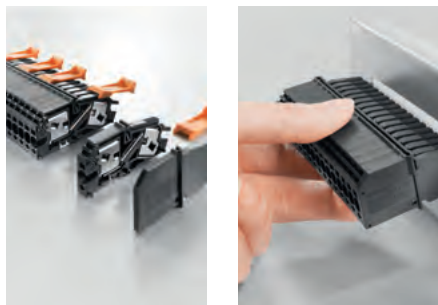
You are looking for a space-saving solution to quickly install wire connections for your device with panel or housing feed-throughs.

You’ll find what you are looking for with our innovative “PUSH IN” connectivity technology solutions. Our PGK 4 feed-through terminal is worthy of note for its tool-free wire connection on the interior and exterior of your device. Thanks to its flexible, sliced construction and the intuitive fastening mechanism, it’s easy for you to build blocks with plenty of poles.

With such features, our PGK 4 is currently the most compact and fastest solution for housing feedthroughs. Let’s connect.

### Flexible application options

Due to its construction with only 5.1 mm wide slices, you can build simple, space-saving terminal blocks with plenty of poles.



J

### Clear marking

The terminals can be clearly labelled on the top and bottom, so that the terminal block can always be marked regardless of mounting position.

### Simple handling and reduced assembly costs

Enjoy the benefits of the intuitive fastening mechanism and the ability to fasten the terminal block in the housing cut-out in seconds.



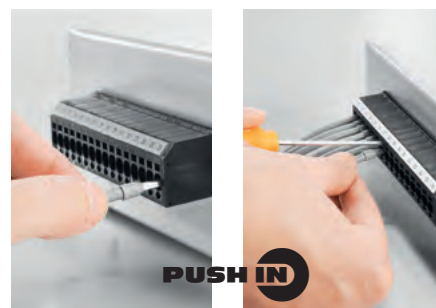
**Secure attachment through thick and thin**

The innovative terminal block fixing mechanism ensures a safe and reliable hold for the device feedthrough and is suited to panel thicknesses between 1.50 mm and 3.00 mm.



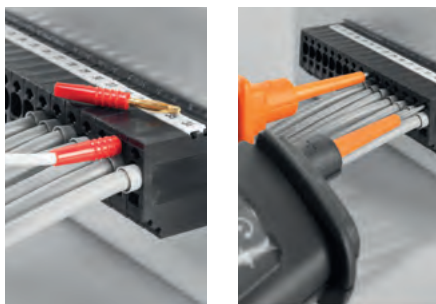
**Solid contact with a large connection cross-section**

Our innovative "PUSH IN" connection technology allows users to quickly and conveniently connect conductors. It also meets the need for permanent and vibration-resistant contacts. Conductor connections with a cross-section of up to 4.0 mm<sup>2</sup> with ferrules are possible.



**Available for testing at any time**

You can perform a simple function check at any time using the easily accessible diagnostic test points.



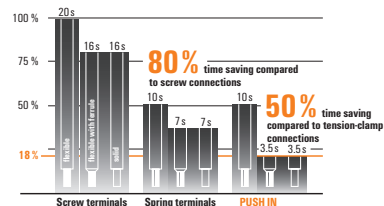
**Future-proofed materials and approvals**

Halogen-free materials and additional international approvals increase the application options for new device designs.



**Direct connected**

"PUSH IN" the quick, tool-free, intuitive connection mechanism for prepared wires. [www.push-in.com](http://www.push-in.com)

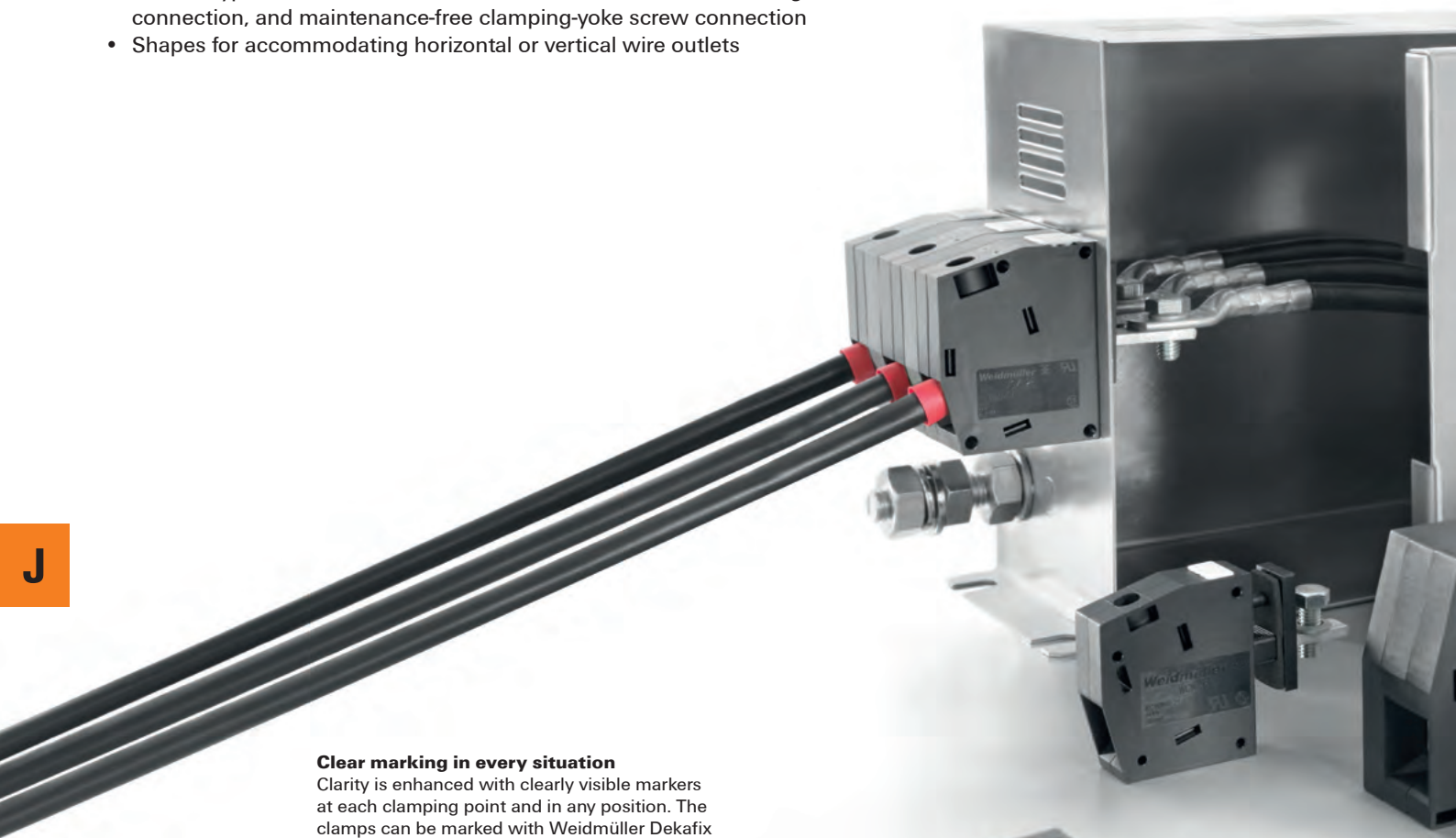


## Through-Panel Terminals WGK - OMNIMATE Power

The universal solution to feed power through housing walls. Suitable for applications such as EMC filters, discretely structured converters for drive engineering, encapsulated equipment or inverters in the production of renewable energy.

Choose from the flexible range:

- Wide performance spectrum for currents up to 232 A and wire cross sections from 4 to 95 mm<sup>2</sup> (AWG 4/0)
- Various types of connections: castable solder connection, cable-lug-stud connection, and maintenance-free clamping-yoke screw connection
- Shapes for accommodating horizontal or vertical wire outlets



### Clear marking in every situation

Clarity is enhanced with clearly visible markers at each clamping point and in any position. The clamps can be marked with Weidmüller Dekafix markers and flexible paster tabs.



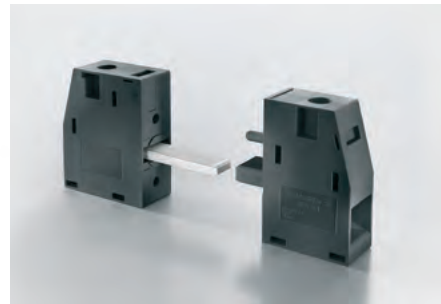
**Safety with extra power**

The high-performance insulating material WEMID meets maximum system availability requirements: With an RTI (relative temperature index) of 120 °C, the OMNIMATE power Through-Panel Terminals exceed the highest continued use temperature of standard PA (100 °C) at +20° K, thus creating more power reserves and maximum safety with temperature fluctuations and overloads



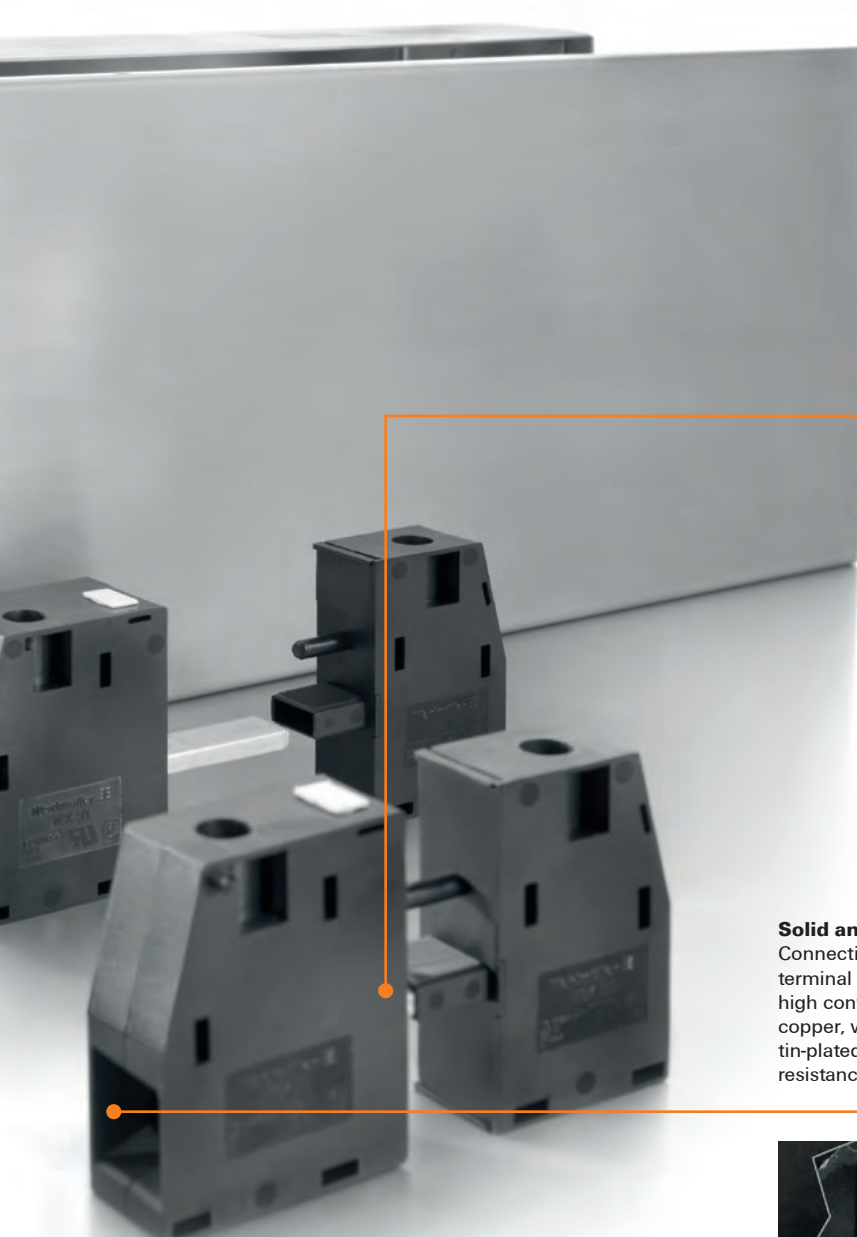
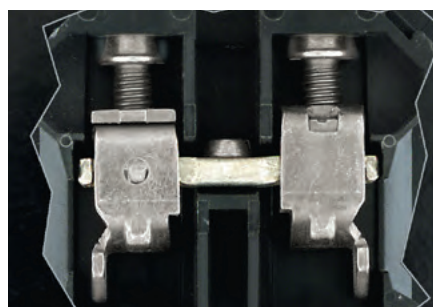
**Easy handling**

WGK series lead-through terminals consist of an inside and outside component that are easily locked with one another through the housing wall without any tools.








**Solid and proven connection**

Connections proven a million times. The terminal unit consists of hardened steel, for very high contact force. The current bar is made of copper, which gives a low voltage drop. The tin-plated surface ensures minimum contact resistances.



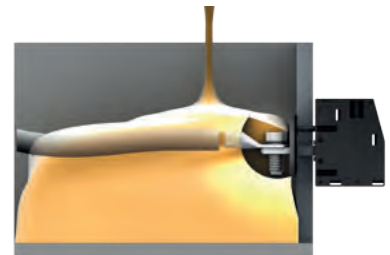
## WGK series - System overview

<p><b>WGK</b></p> 	<p><b>Easy installation</b></p> <p>WGK series feedthrough terminals consist of an inside and outside component that are easily locked with one another through the housing wall without any tools.</p>
	

<p><b>VWGK</b></p> 	<p><b>Maximum freedom of design</b></p> <p>Different types of connection on the inside such as a castable soldering connection (VWGK...), cable lug bolt connection (WGK ...VP) and a no-service clamping yoke-screw connection (WGK...) provide the optimum connection in any installation situation.</p>
<p><b>WGK...VP</b></p> 	
<p><b>WGK...WGKV</b></p> 	

The VP and VWGK models of the WGK lead-through terminals with an insulating housing and clamping yoke connection on the outside are enhanced for use in encapsulated and cast equipment (such as EMV filters).

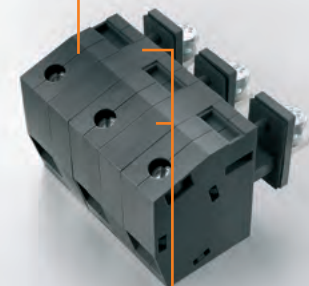
These products are developed for 100 % sealing in completely cast units.



All Through-Panel Terminals terminals are available with pins (WGK.../Z) for easy locking. Multi-pole blocks can be built up quickly and easily.

Clearance and creepage distances to other components must be devised in accordance with the relevant application standard. This can be achieved in the device by full encapsulation or by the use of additional spacer plates.

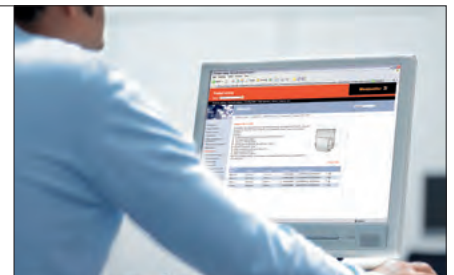
Distance plates (DP WGK...) can be easily mounted with locking pins.



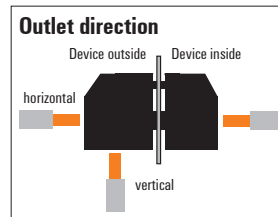
Fast and easy design in online CAD models. The CAD models for OMNIMATE Power WGK lead-through terminals can be found in Weidmüller's online catalogue and in the PART community.

<http://catalog.weidmueller.com/>

<http://weidmueller.partcommunity.com/>



<http://www.OMNIMATE.net>



### Through-Panel terminals - WGK

Device Outside	Device Inside	Clamping range IEC Clamping range UL	Max. rated voltage IEC Nominal current UL		Type	Outlet direction	
Type of connection	Type of connection						
 <b>PUSH IN</b>	 <b>PUSH IN</b>	0.5 - 4 mm <sup>2</sup> 24 - 10 AWG	32 A 30 A		PGK 4	horizontal	
 <b>Screw Clamping yoke</b>	 <b>Solder connection</b>	0.5 - 6 mm <sup>2</sup> 30 - 10 AWG	32 A 30 A		VWGK 4	horizontal	
		0.5 - 10 mm <sup>2</sup> 22 - 8 AWG	41 A 50 A		VWGK 6	horizontal	
	 <b>Screw Clamping yoke</b>	 <b>Screw Clamping yoke</b>	0.5 - 6 mm <sup>2</sup> 30 - 10 AWG	32 A 30 A		WGK 4 WGKV 4	horizontal vertical
			0.5 - 16 mm <sup>2</sup> 24 - 6 AWG	57 A 65 A		WGK 10 WGKV 10	horizontal vertical
	 <b>Screw Clamping yoke</b>	 <b>Screw Clamping yoke</b>	0.5 - 25 mm <sup>2</sup> 20 - 4 AWG	76 A 85 A		WGK 16 WGKV 16	horizontal vertical
					 <b>Cable lug</b>	WGK 16 VP	horizontal
	 <b>Screw Clamping yoke</b>	 <b>Screw Clamping yoke</b>	6 - 35 mm <sup>2</sup> 10 - 3 AWG	101 A 100 A		WGK 25 WGKV 25	horizontal vertical
					 <b>Cable lug</b>	WGK 25 VP	horizontal
	 <b>Screw Clamping yoke</b>	 <b>Screw Clamping yoke</b>	16 - 50 mm <sup>2</sup> 6 - 1/0 AWG	150 A 145 A		WGK 50	horizontal
					 <b>Cable lug</b>	WGK 50 VP	horizontal
	 <b>Screw Clamping yoke</b>	 <b>Screw Clamping yoke</b>	35 - 95 mm <sup>2</sup> 4 - 4/0 AWG	232 A 230 A		WGK 95	horizontal
					 <b>Cable lug</b>	WGK 95 F VP	horizontal

J



Max. rated voltage IEC	400 V	500 V	690 V	1,000 V
	300 V		600 V	
Nominal voltage UL				
		○		
		○		
		○		
	○			
		○		
			○	
			○	
			○	
			○	
				○
				○

Max. clamping range: 4 mm<sup>2</sup>



The PGK 4 device feed-through terminal is the fastest and most compact solution for feed-throughs in housings.

The innovative "PUSH IN" connection system from Weidmüller makes for a simple, tool-free wire connection on the inside and outside of devices. The sliced design and an intuitive fastening mechanism enable high-density blocks to be constructed quickly and easily.

### Product data

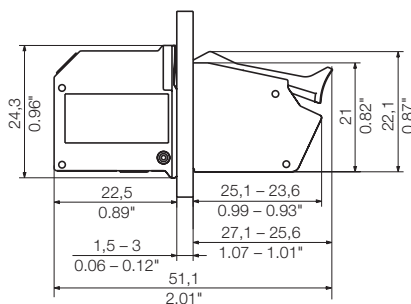
IEC: 500 V / 32 A / 0.5 - 4 mm<sup>2</sup>  
UL: 300 V / 30 A / AWG 24 - 10



For additional articles and information, refer to [catalog.weidmueller.com](http://catalog.weidmueller.com)

#### Note:

- Packing unit incl. 30 locking elements (VREL PGK 4 OR - 1288610000)
- End plate required
- Clearance and creepage distances to other components must be devised in accordance with the relevant application standard. This can be achieved in the device by full encapsulation or by the use of additional spacer plates.
- Rated data refer only to the component itself. Clearance and creepage distances to other components are to be designed in accordance with the relevant application standards.
- Colours: BK = black; GN/YL = green yellow; none = grey
- Additional colours on request

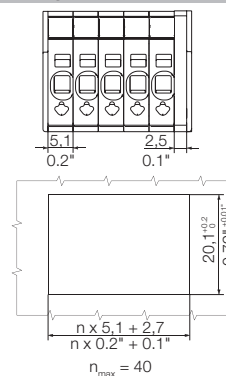


### PGK 4

"PUSH IN" connection



#### Dimensioned drawing



### Technical data

In compliance with IEC 60664-1 / IEC 61984			
Clamping range, max.	mm <sup>2</sup>	0.5...4	
<b>Solid core H05(07) V-U</b>	<b>mm<sup>2</sup></b>	<b>0.5...4</b>	
Stranded H07 V-R			
Flexible H05(07) V-K	mm <sup>2</sup>	0.5...4	
Flexible with ferrule	mm <sup>2</sup>	0.5...4	
Ferrule with plastic collar	mm <sup>2</sup>	0.5...2.5	
Stripping length	mm	12	
Screwdriver blade	mm	0.4 x 2.5	
According to norm			
Tightening torque range	Nm		
<b>Rated current, max.</b>	<b>A</b>	<b>32</b>	
At ambient temperature		20°C	40°C
For conductor cross-section	mm <sup>2</sup>	4	
Overvoltage category		III	III II
Pollution severity		3	2 2
<b>Rated voltage</b>	<b>V</b>	<b>500</b>	
Rated impulse voltage	kV	6	
UL / CUL (Use Group)			
<b>Rated voltage</b>	<b>V</b>	<b>300</b>	<b>150 300</b>
<b>Rated current</b>	<b>A</b>	<b>30</b>	<b>30 30</b>
<b>AWG conductor</b>	<b>AWG</b>	<b>24-10</b>	
CSA (Use Group)			
<b>Rated voltage</b>	<b>V</b>	<b>300</b>	<b>150 300</b>
<b>Rated current</b>	<b>A</b>	<b>30</b>	<b>30 30</b>
<b>AWG conductor</b>	<b>AWG</b>	<b>24-10</b>	
General data			
Type of insulation material		Wemid (PA)	
UL 94 flammability rating		V-0	
Contact base material		E-Cu	
Material of contact surface		tinned	
Pin dimensions = d	mm		
Solder eyelet Ø = D	mm		
Solder eyelet Ø tolerance	mm		

### Accessories

Note: Refer to the Accessories chapter for additional accessories.

Additional locking		Order No.
	VREL PGK4 OR	<b>1288610000</b>
Testing / Checking		
	PS 2.3 RT	<b>0180400000</b>
Screwdriver		
	SDS 0.4X2.5X75	<b>9009030000</b>
	SDS 0.5X3.0X80	<b>9008320000</b>
Crimping tool		
	PZ 6/5	<b>9011460000</b>

### Ordering data

Type	Qty.	Order No.
PGK 4 BK	100	<b>1288470000</b>

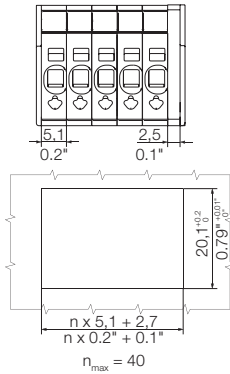
**With lock pins**

### PGK 4 BT

"PUSH IN" connection



Dimensioned drawing



#### Ordering data

With lock pins		
Type	Qty.	Order No.
PGK 4 BT BK	100	1288590000

### EPL PGK 4



Dimensioned drawing

#### Ordering data

With lock pins		
Type	Qty.	Order No.
EPL PGK4 BK	50	1288600000

## Through-Panel Terminals for devices Series WGK - connects up to 95 mm<sup>2</sup>

Max. clamping range: 6 mm<sup>2</sup>



The high-current feed-through terminals of the WGK series provide a universal solution for feeding currents of different magnitude through the enclosure wall.

Various types of connection on the inside such as solder connections which can be encapsulated (VWVGK...), cable lug connections (WGK ...VP) and maintenance-free clamping yoke screw connections (WGK...) with vertical and horizontal wire insertion provide the optimal connection for any installation situation.

Terminals with locking pins are available for simple and fast assembly for multi-pole blocks.

### Product data

IEC: 500 V / 32 A / 0.5 - 6 mm<sup>2</sup>  
UL: 300 V / 30 A / AWG 30 - 10



For additional articles and information, refer to [catalog.weidmueller.com](http://catalog.weidmueller.com)

#### Note:

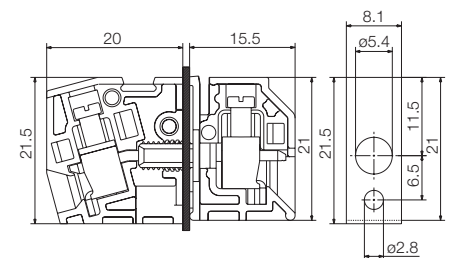
- Clearance and creepage distances to other components must be devised in accordance with the relevant application standard. This can be achieved in the device by full encapsulation or by the use of additional spacer plates.
- Rated data refer only to the component itself. Clearance and creepage distances to other components are to be designed in accordance with the relevant application standards.
- Colours: SW = black; GN/YL = green yellow; none = grey
- Additional colours on request
- WGK: Rated voltage plastic walls: 1 - 4 mm = 500 V; metal walls: 1 - 2.5 mm = 400 V; metal walls: 2.5 - 4 mm = 250 V
- WGKV: Rated voltage plastic walls: 1 - 4 mm = 400 V; metal walls: 1 - 2.5 mm = 400 V; metal walls: 2.5 - 4 mm = 250 V
- VWGK: Rated voltage plastic walls: 1 - 4 mm = 500 V; metal walls: 1 - 4 mm = 500 V

### WGK 4

#### Screw connection



#### Dimensioned drawing



### Technical data

#### In compliance with IEC 60664-1 / IEC 61984

Clamping range, max.	mm <sup>2</sup>	0.5...6
<b>Solid core H05(07) V-U</b>	<b>mm<sup>2</sup></b>	<b>0.5...6</b>
Stranded H07 V-R	mm <sup>2</sup>	
Flexible H05(07) V-K	mm <sup>2</sup>	0.5...4
Flexible with ferrule	mm <sup>2</sup>	0.5...4
Ferrule with plastic collar	mm <sup>2</sup>	
Stripping length	mm	8
Screwdriver blade	mm	0.6 x 3.5
According to norm		
Tightening torque range	Nm	0.6...0.8
<b>Rated current, max.</b>	<b>A</b>	<b>32</b>
At ambient temperature	20°C	40°C
For conductor cross-section	mm <sup>2</sup>	4
Overvoltage category	III	III II
Pollution severity	3	2 2
<b>Rated voltage</b>	<b>V</b>	<b>500</b>
Rated impulse voltage	kV	6
<b>UL / CUL (Use Group)</b>	<b>B C D</b>	
<b>Rated voltage</b>	<b>V</b>	<b>300</b>
<b>Rated current</b>	<b>A</b>	<b>30</b>
<b>AWG conductor</b>	<b>AWG</b>	<b>30-10</b>
<b>CSA (Use Group)</b>	<b>B C D</b>	
Rated voltage	V	300
Rated current	A	30
AWG conductor	AWG	30-10
<b>General data</b>		
Type of insulation material		Wemid (PA)
UL 94 flammability rating		V-0
Contact base material		E-Cu
Material of contact surface		tinned
Pin dimensions = d	mm	
Solder eyelet Ø = D	mm	
Solder eyelet Ø tolerance	mm	

### Accessories

Note: Refer to the Accessories chapter for additional accessories.

Distance plate	Order No.
DP VWGK 4 SW	1251030000
DP VWGK4	1936430000
DP WGK 4	1936450000
DP WGK 4 SW	1297840000
DP WGKV 4	1936470000
Screwdriver	
SDIS 0.6X3.5X100	9008390000
Identification systems	
DEK 5/5 MC-10 NE WS	1609801044
DEK 5/6 MC NE WS	1609820000
DEK 5/8 MC NE WS	1856740000

### Ordering data

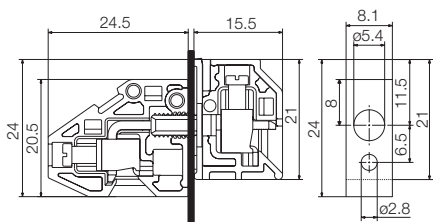
Type	Qty.	Order No.	
		With lock pins	No lock pins
WGK 4/Z SW	50	1250940000	
WGK 4/Z gn/ye	50	1936560000	
WGK 4/Z	50	1936570000	
WGK 4 SW	50		1250930000
WGK 4 GN/YE	50		1936540000
WGK 4	50		1936550000

### WGKV 4

Screw connection



Dimensioned drawing



#### Ordering data

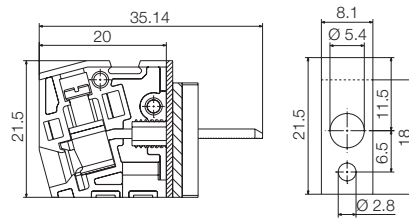
Type	Qty.	With lock pins		No lock pins	
		Order No.	Order No.	Order No.	Order No.
WGKV 4/Z SW	50	1250960000			
WGKV 4/Z gn/ye	50	1936620000			
WGKV 4/Z	50	1936630000			
WGKV 4 SW	50		1250950000		
WGKV 4 gn/ye	50		1936610000		
WGKV 4	50		1934050000		

### WGK 4 VP

Solder connection



Dimensioned drawing



#### Ordering data

Type	Qty.	With lock pins		No lock pins	
		Order No.	Order No.	Order No.	Order No.
WGK 4 VP/Z BK	50	1339810000			
WGK 4 VP/Z GN/YE	50	1003900000			
WGK 4 VP/Z	50	1003910000			
WGK 4 VP BK	50		1339790000		
WGK 4 VP GN/YE	50		1003890000		
WGK 4 VP	50		1981890000		

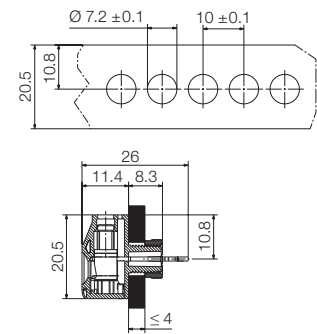
For the rated voltage of plastic and metal walls, see the "WGK" notes

### VWVGK 4

Solder connection



Dimensioned drawing



#### Ordering data

Type	Qty.	With lock pins	
		Order No.	Order No.
VWVGK 4 SW	50	1250650000	
VWVGK 4 GN/YE	50	1936480000	
VWVGK 4	50	1936490000	

## Through-Panel Terminals for devices Series WGK - connects up to 95 mm<sup>2</sup>

Max. clamping range: 10 mm<sup>2</sup>



The V versions of the WGK feed-through terminal with an insulated housing and clamping yoke connection on the outside, and a solder connection on the inside. Optimal connection options for use in encapsulated devices (e.g. EMC filters and/or fully insulated transformers).

Terminals with locking pins are available for simple and fast assembly of multi-pole blocks.

### Technical data

In compliance with IEC 60664-1 / IEC 61984			
Clamping range, max.	mm <sup>2</sup>	0.5...10	
<b>Solid core H05(07) V-U</b>	<b>mm<sup>2</sup></b>	<b>0.5...10</b>	
Stranded H07 V-R	mm <sup>2</sup>	...6	
Flexible H05(07) V-K	mm <sup>2</sup>	0.5...6	
Flexible with ferrule	mm <sup>2</sup>	0.5...6	
Ferrule with plastic collar	mm <sup>2</sup>		
Stripping length	mm	13	
Screwdriver blade	mm	0.8 x 4.0	
According to norm			
Tightening torque range	Nm	0.8...1.8	
<b>Rated current, max.</b>	<b>A</b>	<b>41</b>	
At ambient temperature		20°C	40°C
For conductor cross-section	mm <sup>2</sup>	6	
Overvoltage category		III	III II
Pollution severity		3	2 2
<b>Rated voltage</b>	<b>V</b>	<b>500</b>	
Rated impulse voltage	kV	6	
<b>UL / CUL (Use Group)</b>	<b>B C D</b>		
<b>Rated voltage</b>	<b>V</b>	<b>300</b>	
<b>Rated current</b>	<b>A</b>	<b>50</b>	
<b>AWG conductor</b>	<b>AWG</b>	<b>22-10</b>	
<b>CSA (Use Group)</b>	<b>B C D</b>		
Rated voltage	V	300	
Rated current	A	50	
AWG conductor	AWG	22-10	
<b>General data</b>			
Type of insulation material		Wemid (PA)	
UL 94 flammability rating		V-0	
Contact base material		E-Cu	
Material of contact surface		tinned	
Pin dimensions = d	mm		
Solder eyelet Ø = D	mm		
Solder eyelet Ø tolerance	mm		

### Product data

IEC: 500 V / 41 A / 0.5 - 10 mm<sup>2</sup>  
UL: 300 V / 50 A / AWG 22 - 10



For additional articles and information, refer to [catalog.weidmueller.com](http://catalog.weidmueller.com)

#### Note:

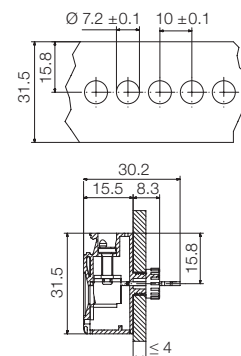
- Clearance and creepage distances to other components must be devised in accordance with the relevant application standard. This can be achieved in the device by full encapsulation or by the use of additional spacer plates.
- Rated data refer only to the component itself. Clearance and creepage distances to other components are to be designed in accordance with the relevant application standards.
- Colours: SW = black; GN/YL = green yellow; none = grey
- Additional colours on request
- VWGK: Rated voltage plastic walls: 1 - 4 mm = 500 V; metal walls: 1 - 4 mm = 500 V

### VWGK 6

#### Solder connection



#### Dimensioned drawing



### Accessories

Note: Refer to the Accessories chapter for additional accessories.

Distance plate	Order No.
DP VWGK 6 SW	1250630000
DP VWGK6	1965750000
Screwdriver	Order No.
SDIS 0.8X4.0X100	9008400000
Identification systems	Order No.
DEK 5/5 MC-10 NE WS	1609801044
DEK 5/6 MC NE WS	1609820000
DEK 5/8 MC NE WS	1856740000

### Ordering data

Type	Qty.	Order No.
VWGK 6 SW	50	1250640000
VWGK 6 GN/YE	50	1965730000
VWGK 6	50	1965740000

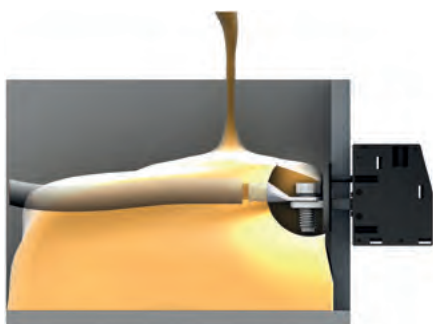
**With lock pins**

## Variants

The WGK...VP, VWGK 4 and VWGK 6 variants of the WGK series, with an insulating housing and clamping yoke connection on the outside, are specially enhanced for use in potted and through-panel applications.

These products are developed for 100 % sealing in completely enclosed units..

WGK variants are used, for example, as device connections for EMC filters or fully insulated transformers.



## Clamping yoke screw connection

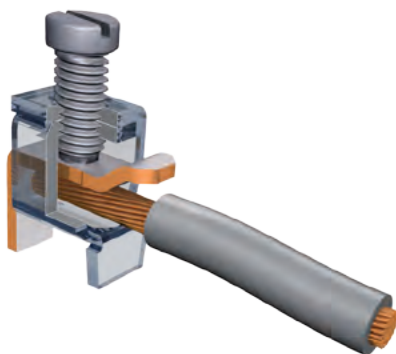
The clamping yoke connection is a proven connection in use around the world today.

Steel clamping yokes made using a stamping and bending process guarantee a vibration proof clamp connection.

When the screw on the clamp is tightened, there is a counter effect in the clamping yoke's threaded area which prevents the connection accidentally loosening.

As the screw thread is on an inclined plane, the force is amplified and a very high clamping force is achieved.

Weidmüller uses hardened steel with optimised corrosion protection for stability and safety in addition to copper alloys in the contact area for good electrical conductivity.



## Through-Panel Terminals for devices Series WGK - connects up to 95 mm<sup>2</sup>

Max. clamping range: 16 mm<sup>2</sup>



The high-current feed-through terminals of the WGK series provide a universal solution for feeding currents of different magnitude through the enclosure wall.

Different types of connection on the inside, such as a solder connection which can be encapsulated (WGK ...VP) or a maintenance-free clamping yoke screw connection (WGK...) with vertical and horizontal wire connections, provide the optimal connection for any installation situation.

Terminals with locking pins are available for simple and fast assembly of multi-pole blocks.

### Product data

IEC: 500 V / 57 A / 0.5 - 16 mm<sup>2</sup>  
UL: 300 V / 65 A / AWG 24 - 6



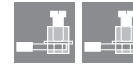
For additional articles and information, refer to [catalog.weidmueller.com](http://catalog.weidmueller.com)

#### Note:

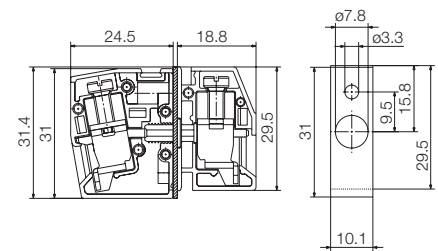
- Clearance and creepage distances to other components must be devised in accordance with the relevant application standard. This can be achieved in the device by full encapsulation or by the use of additional spacer plates.
- Rated data refer only to the component itself. Clearance and creepage distances to other components are to be designed in accordance with the relevant application standards.
- Colours: SW = black; GN/YL = green yellow; none = grey
- Additional colours on request
- WGK: Rated voltage plastic walls: 1 - 4 mm = 500 V; metal walls: 1 - 2.5 mm = 400 V; metal walls: 2.5 - 4 mm = 250 V

### WGK 10

#### Screw connection



#### Dimensioned drawing



### Technical data

#### In compliance with IEC 60664-1 / IEC 61984

Clamping range, max.	mm <sup>2</sup>	0.5...16
<b>Solid core H05(07) V-U</b>	<b>mm<sup>2</sup></b>	<b>0.5...16</b>
Stranded H07 V-R	mm <sup>2</sup>	10...16
Flexible H05(07) V-K	mm <sup>2</sup>	0.5...10
Flexible with ferrule	mm <sup>2</sup>	0.5...10
Ferrule with plastic collar	mm <sup>2</sup>	
Stripping length	mm	11
Screwdriver blade	mm	0.8 x 4.0

According to norm

Tightening torque range	Nm	5...7
<b>Rated current, max.</b>	<b>A</b>	<b>57</b>
At ambient temperature	20°C	40°C
For conductor cross-section	mm <sup>2</sup>	10
Overtoltage category		III III II
Pollution severity		3 2 2

<b>Rated voltage</b>	<b>V</b>	<b>500</b>
Rated impulse voltage	kV	6

#### UL / CUL (Use Group)

<b>Rated voltage</b>	<b>V</b>	<b>300</b>
<b>Rated current</b>	<b>A</b>	<b>65</b>
<b>AWG conductor</b>	<b>AWG</b>	<b>24-6</b>
<b>CSA (Use Group)</b>	<b>B C D</b>	
Rated voltage	V	300
Rated current	A	65
AWG conductor	AWG	24-6

#### General data

Type of insulation material	Wemid (PA)
UL 94 flammability rating	V-0
Contact base material	E-Cu
Material of contact surface	tinned
Pin dimensions = d	mm
Solder eyelet Ø = D	mm
Solder eyelet Ø tolerance	mm

### Accessories

Note: Refer to the Accessories chapter for additional accessories.

Distance plate		Order No.
	DP WGK 10	1936440000
	DP WGK 10 SW	1250570000
	DP WGKV 10	1936460000
Screwdriver		
	SDIS 0.8X4.0X100	9008400000
Identification systems		
	DEK 5/5 MC-10 NE WS	1609801044
	DEK 5/6 MC NE WS	1609820000
	DEK 5/8 MC NE WS	1856740000

### Ordering data

Type	Qty.	Order No.	
		With lock pins	No lock pins
WGK 10/Z SW	50	1250890000	
WGK 10/Z gn/ye	50	1936520000	
WGK 10/Z	50	1936530000	
WGK 10 SW	50		1250880000
WGK 10 GN/YE	50		1936500000
WGK 10	50		1936510000

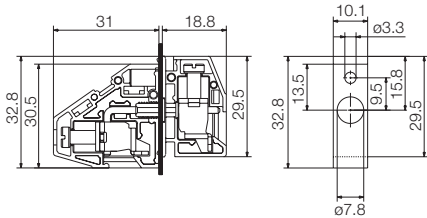


## WGKV 10

### Screw connection



Dimensioned drawing



### Ordering data

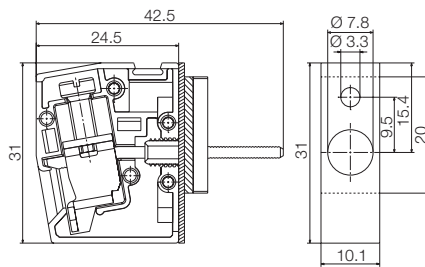
Type	Qty.	With lock pins		No lock pins	
		Order No.	Order No.	Order No.	Order No.
WGKV 10/Z SW	50	1250920000			
WGKV 10/Z gn/ye	50	1936590000			
WGKV 10/Z	50	1936600000			
WGKV 10 SW	50		1250910000		
WGKV 10 gn/ye	50		1936580000		
WGKV 10	50		1934060000		

For the rated voltage of plastic and metal walls, see the "WGK" notes

## WGK 10 VP



Dimensioned drawing



### Ordering data

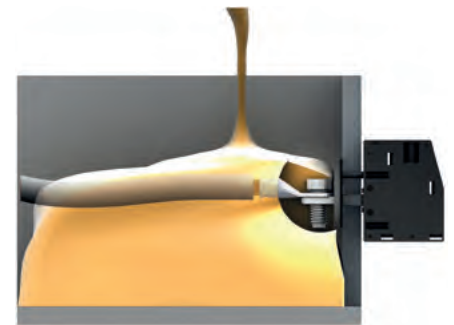
Type	Qty.	With lock pins		No lock pins	
		Order No.	Order No.	Order No.	Order No.
WGK 10 VP/Z BK	50	1469900000			
WGK 10 VP/Z GN/YE	50	1003970000			
WGK 10 VP/Z	50	1003920000			
WGK 10 VP BK	50		1469890000		
WGK 10 VP GN/YE	50		1003960000		
WGK 10 VP	50		1981880000		

For the rated voltage of plastic and metal walls, see the "WGK" notes

## Variants

The WGK...VP, VWGK 4 and VWGK 6 variants of the WGK series, with an insulating housing and clamping yoke connection on the outside, are specially enhanced for use in potted and through-panel applications. These products are developed for 100 % sealing in completely enclosed units..

WGK variants are used, for example, as device connections for EMC filters or fully insulated transformers.



### Clamping yoke screw connection

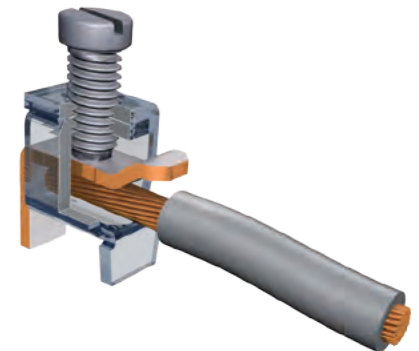
The clamping yoke connection is a proven connection in use around the world today.

Steel clamping yokes made using a stamping and bending process guarantee a vibration proof clamp connection.

When the screw on the clamp is tightened, there is a counter effect in the clamping yoke's threaded area which prevents the connection accidentally loosening.

As the screw thread is on an inclined plane, the force is amplified and a very high clamping force is achieved.

Weidmüller uses hardened steel with optimised corrosion protection for stability and safety in addition to copper alloys in the contact area for good electrical conductivity.



## Through-Panel Terminals for devices Series WGK - connects up to 95 mm<sup>2</sup>

Max. clamping range: 25 mm<sup>2</sup>



The high-current feed-through terminals of the WGK series provide a universal solution for feeding currents of different magnitude through the enclosure wall.

Various types of connection on the inside, such as cable lug connections which can be encapsulated (WGK ...VP) and maintenance-free clamping yoke screw connections (WGK...) with vertical and horizontal wire insertion provide the optimal connection for any installation situation.

Terminals with locking pins are available for simple and fast assembly of multi-pole blocks.

### Product data

IEC: 500 V / 76 A / 0.5 - 16 mm<sup>2</sup>  
UL: 600 V / 85 A / AWG 20 - 4



For additional articles and information, refer to [catalog.weidmueller.com](http://catalog.weidmueller.com)

#### Note:

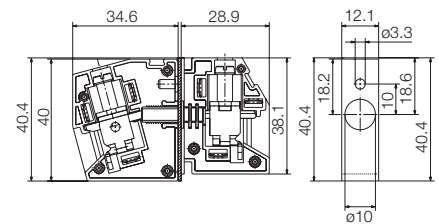
- Clearance and creepage distances to other components must be devised in accordance with the relevant application standard. This can be achieved in the device by full encapsulation or by the use of additional spacer plates.
- Rated data refer only to the component itself. Clearance and creepage distances to other components are to be designed in accordance with the relevant application standards.
- Colours: SW = black; GN/YL = green yellow; none = grey
- Additional colours on request
- WGK: Rated voltage plastic walls: 1 - 6 mm = 800 V; metal walls: 1 - 2.5 mm = 800 V; metal walls: 2.5 - 4 mm = 690 V; metal walls: 4 - 6 mm = 500 V

### WGK 16

#### Screw connection



#### Dimensioned drawing



### Technical data

#### In compliance with IEC 60664-1 / IEC 61984

Clamping range, max.	mm <sup>2</sup>	0.5...25
<b>Solid core H05(07) V-U</b>	<b>mm<sup>2</sup></b>	<b>0.5...16</b>
Stranded H07 V-R	mm <sup>2</sup>	10...25
Flexible H05(07) V-K	mm <sup>2</sup>	0.5...16
Flexible with ferrule	mm <sup>2</sup>	0.5...16
Ferrule with plastic collar	mm <sup>2</sup>	
Stripping length	mm	16
Screwdriver blade	mm	1.0 x 5.5

According to norm

Tightening torque range	Nm	2...2.3
<b>Rated current, max.</b>	<b>A</b>	<b>76</b>
At ambient temperature	20°C	40°C
For conductor cross-section	mm <sup>2</sup>	16
Overtoltage category		III III II
Pollution severity		3 2 2

<b>Rated voltage</b>	<b>V</b>	<b>500</b>
Rated impulse voltage	kV	6

#### UL / CUL (Use Group)

<b>Rated voltage</b>	<b>V</b>	<b>600</b>
<b>Rated current</b>	<b>A</b>	<b>85</b>
<b>AWG conductor</b>	<b>AWG</b>	<b>20-4</b>

#### CSA (Use Group)

Rated voltage	V	600
Rated current	A	85
AWG conductor	AWG	20-4

#### General data

Type of insulation material	Wemid (PA)
UL 94 flammability rating	V-0
Contact base material	E-Cu
Material of contact surface	tinned
Pin dimensions = d	mm
Solder eyelet Ø = D	mm
Solder eyelet Ø tolerance	mm

### Accessories

Note: Refer to the Accessories chapter for additional accessories.

Distance plate	Order No.
DP WGK 16	1936700000
DP WGK 16 SW	1250580000
Screwdriver	Order No.
SDIS 1.0X5.5X125	9008410000
Identification systems	Order No.
DEK 5/5 MC-10 NE WS	1609801044
DEK 5/6 MC NE WS	1609820000
DEK 5/8 MC NE WS	1856740000

### Ordering data

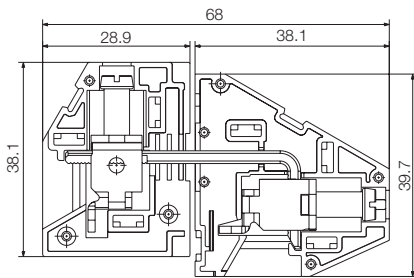
Type	Qty.	Order No.	
		With lock pins	No lock pins
WGK 16/Z SW	50	1250870000	
WGK 16/Z gn/ye	50	1936820000	
WGK 16/Z	50	1936830000	
WGK 16 SW	50		1250860000
WGK 16 gn/ye	50		1936760000
WGK 16	50		1936810000

## WGKV 16

### Screw connection



Dimensioned drawing



### Ordering data

Type	Qty.	With lock pins		No lock pins	
		Order No.	Order No.	Order No.	Order No.
WGKV 16/Z SW	50	1250850000			
WGKV 16/Z GN/YE	50	1003930000			
WGKV 16/Z	50	1003940000			
WGKV 16 SW	50		1250840000		
WGKV 16 GN/YE	50		1003950000		
WGKV 16	50		1003880000		

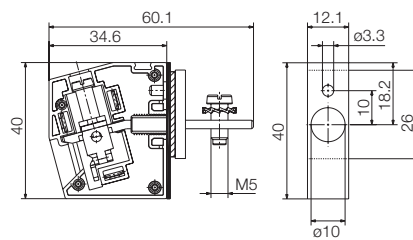
For the rated voltage of plastic and metal walls, see the "WGK" notes

## WGK 16 VP

### Cable lug connection



Dimensioned drawing



### Ordering data

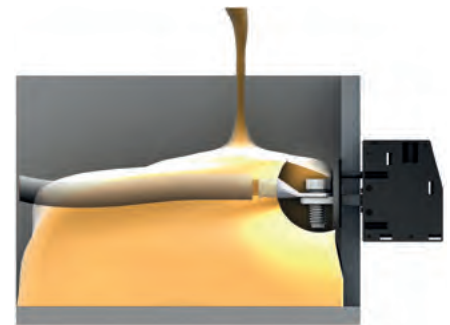
Type	Qty.	With lock pins		No lock pins	
		Order No.	Order No.	Order No.	Order No.
WGK 16 VP/Z SW	50	1250830000			
WGK 16 VP/Z GN/YE	50	1936790000			
WGK 16 VP/Z	50	1936800000			
WGK 16 VP SW	50		1250820000		
WGK 16 VP GN/YE	50		1936770000		
WGK 16 VP	50		1936780000		

For the rated voltage of plastic and metal walls, see the "WGK" notes

## Variants

The WGK...VP, VWGK 4 and VWGK 6 variants of the WGK series, with an insulating housing and clamping yoke connection on the outside, are specially enhanced for use in potted and through-panel applications. These products are developed for 100 % sealing in completely enclosed units..

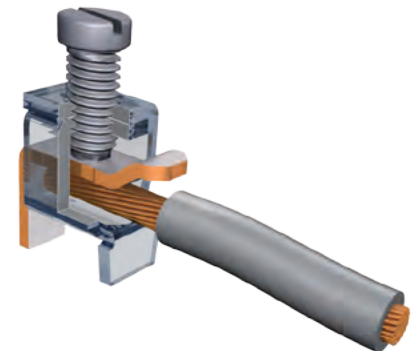
WGK variants are used, for example, as device connections for EMC filters or fully insulated transformers.



### Clamping yoke screw connection

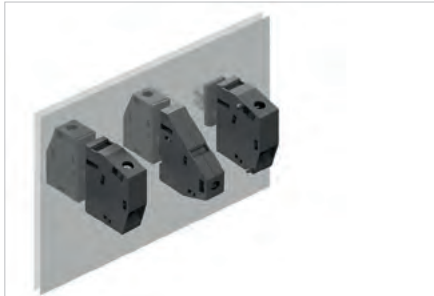
The clamping yoke connection is a proven connection in use around the world today.

Steel clamping yokes made using a stamping and bending process guarantee a vibration proof clamp connection. When the screw on the clamp is tightened, there is a counter effect in the clamping yoke's threaded area which prevents the connection accidentally loosening. As the screw thread is on an inclined plane, the force is amplified and a very high clamping force is achieved. Weidmüller uses hardened steel with optimised corrosion protection for stability and safety in addition to copper alloys in the contact area for good electrical conductivity.



## Through-Panel Terminals for devices Series WGK - connects up to 95 mm<sup>2</sup>

Max. clamping range: 35 mm<sup>2</sup>



The high-current feed-through terminals of the WGK series provide a universal solution for feeding currents of different magnitude through the enclosure wall.

Various types of connection on the inside, such as cable lug connections which can be encapsulated (WGK...VP) and maintenance-free clamping yoke screw connections (WGK...) with vertical and horizontal wire insertion provide the optimal connection for any installation situation.

Terminals with locking pins are available for simple and fast assembly of multi-pole blocks.

### Technical data

#### In compliance with IEC 60664-1 / IEC 61984

Clamping range, max.	mm <sup>2</sup>	4...35
<b>Solid core H05(07) V-U</b>	<b>mm<sup>2</sup></b>	<b>6...16</b>
Stranded H07 V-R	mm <sup>2</sup>	10...35
Flexible H05(07) V-K	mm <sup>2</sup>	6...16
Flexible with ferrule	mm <sup>2</sup>	4...25
Ferrule with plastic collar	mm <sup>2</sup>	
Stripping length	mm	18
Screwdriver blade	mm	1.2 x 6.5

According to norm

Tightening torque range	Nm	4...4.5
<b>Rated current, max.</b>	<b>A</b>	<b>101</b>
At ambient temperature	20°C	40°C
For conductor cross-section	mm <sup>2</sup>	25
Overvoltage category	III	III II
Pollution severity	3	2 2

<b>Rated voltage</b>	<b>V</b>	<b>690</b>
Rated impulse voltage	kV	6

<b>UL / CUL (Use Group)</b>	<b>B</b>	<b>C</b>	<b>D</b>
-----------------------------	----------	----------	----------

<b>Rated voltage</b>	<b>V</b>	<b>600</b>
----------------------	----------	------------

<b>Rated current</b>	<b>A</b>	<b>100</b>
----------------------	----------	------------

<b>AWG conductor</b>	<b>AWG</b>	<b>10-3</b>
----------------------	------------	-------------

<b>CSA (Use Group)</b>	<b>B</b>	<b>C</b>	<b>D</b>
------------------------	----------	----------	----------

Rated voltage	V	600
---------------	---	-----

Rated current	A	100
---------------	---	-----

AWG conductor	AWG	10-3
---------------	-----	------

#### General data

Type of insulation material	Wemid (PA)
UL 94 flammability rating	V-0
Contact base material	E-Cu
Material of contact surface	tinned
Pin dimensions = d	mm
Solder eyelet Ø = D	mm
Solder eyelet Ø tolerance	mm

### Product data

IEC: 690 V / 101 A / 6 - 16 mm<sup>2</sup>

UL: 600 V / 100 A / AWG 10 - 3



For additional articles and information, refer to [catalog.weidmueller.com](http://catalog.weidmueller.com)

#### Note:

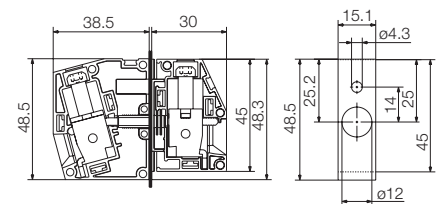
- Clearance and creepage distances to other components must be devised in accordance with the relevant application standard. This can be achieved in the device by full encapsulation or by the use of additional spacer plates.
- Rated data refer only to the component itself. Clearance and creepage distances to other components are to be designed in accordance with the relevant application standards.
- Colours: SW = black; GN/YL = green yellow; none = grey
- Additional colours on request
- WGK: Rated voltage plastic walls: 1 - 6 mm = 800 V; metal walls: 1 - 4 mm = 800 V; metal walls: 4 - 6 mm = 690 V
- WGKV: Rated voltage plastic walls: 1 - 6 mm = 800 V; metal walls: 1 - 4 mm = 800 V; metal walls: 4 - 6 mm = 690 V
- WGK...VP: Rated voltage plastic walls: 1 - 6 mm = 800 V; metal walls: 1 - 2.5 mm = 800 V; metal walls: 2.5 - 4 mm = 690 V; metal walls: 4 - 6 mm = 500 V

### WGK 25

#### Screw connection






#### Dimensioned drawing



### Accessories

Note: Refer to the Accessories chapter for additional accessories.

Distance plate		Order No.
	DP WGK 25	1936710000
	DP WGK 25 SW	1250590000
	DP WGKV 25	1936690000
Screwdriver		
	SDIS 1.2X6.5X150	9008420000
Identification systems		
	DEK 5/5 MC-10 NE WS	1609801044
	DEK 5/6 MC NE WS	1609820000
	DEK 5/8 MC NE WS	1856740000

### Ordering data

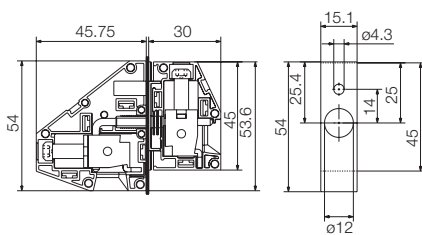
Type	Qty.	Order No.	
		With lock pins	No lock pins
WGK 25/Z SW	50	1250810000	
WGK 25/Z GN/YE	50	1936900000	
WGK 25/Z	50	1936910000	
WGK 25 SW	50		1250790000
WGK 25 GN/YE	50		1936840000
WGK 25	50		1936850000

## WGKV 25

### Screw connection



Dimensioned drawing



### Ordering data

Type	Qty.	With lock pins		No lock pins	
		Order No.	Order No.	Order No.	Order No.
WGKV 25/Z SW	25	1250780000			
WGKV 25/Z gn/ye	25	1936740000			
WGKV 25/Z	25	1936750000			
WGKV 25 SW	25		1250770000		
WGKV 25 gn/ye	25		1936720000		
WGKV 25	25		1934070000		

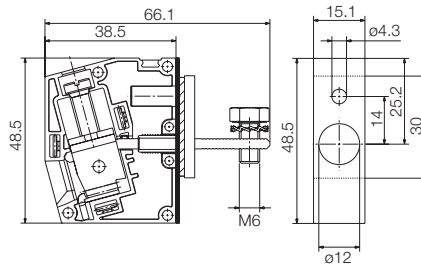
Rated voltage for plastic and metal walls such as WGK

## WGK 25 VP

### Cable lug connection



Dimensioned drawing



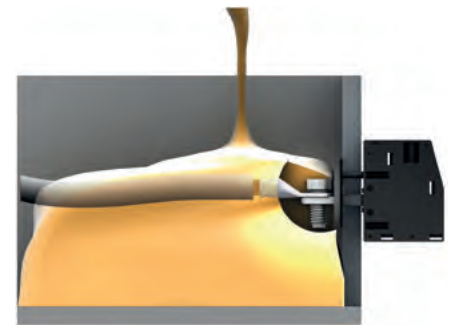
### Ordering data

Type	Qty.	With lock pins		No lock pins	
		Order No.	Order No.	Order No.	Order No.
WGK 25 VP/Z SW	50	1250760000			
WGK 25 VP/Z GN/YE	50	1936880000			
WGK 25 VP/Z	50	1936890000			
WGK 25 VP SW	50		1250750000		
WGK 25 VP GN/YE	50		1936860000		
WGK 25 VP	50		1936870000		

## Variants

The WGK...VP, VWGK 4 and VWGK 6 variants of the WGK series, with an insulating housing and clamping yoke connection on the outside, are specially enhanced for use in potted and through-panel applications. These products are developed for 100 % sealing in completely enclosed units..

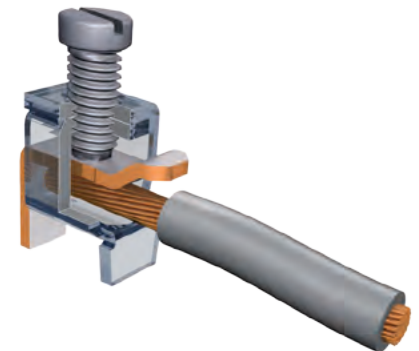
WGK variants are used, for example, as device connections for EMC filters or fully insulated transformers.



### Clamping yoke screw connection

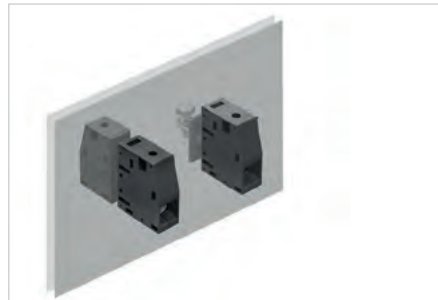
The clamping yoke connection is a proven connection in use around the world today.

Steel clamping yokes made using a stamping and bending process guarantee a vibration proof clamp connection. When the screw on the clamp is tightened, there is a counter effect in the clamping yoke's threaded area which prevents the connection accidentally loosening. As the screw thread is on an inclined plane, the force is amplified and a very high clamping force is achieved. Weidmüller uses hardened steel with optimised corrosion protection for stability and safety in addition to copper alloys in the contact area for good electrical conductivity.



## Through-Panel Terminals for devices Series WGK - connects up to 95 mm<sup>2</sup>

Max. clamping range: 50 mm<sup>2</sup>



The high-current feed-through terminals of the WGK series provide a universal solution for feeding currents of different magnitude through the enclosure wall.

Various types of connection on the inside, such as cable lug connections which can be encapsulated (WGK ...VP) and maintenance-free clamping yoke screw connections (WGK...) provide the optimal connection for any installation situation.

Terminals with locking pins are available for simple and fast assembly of multi-pole blocks.

### Product data

IEC: 690 V / 150 A / 16 - 50 mm<sup>2</sup>  
UL: 600 V / 145 A / AWG 6 - 1/0



For additional articles and information, refer to [catalog.weidmueller.com](http://catalog.weidmueller.com)

#### Note:

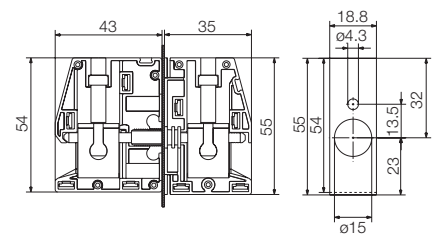
- Clearance and creepage distances to other components must be devised in accordance with the relevant application standard. This can be achieved in the device by full encapsulation or by the use of additional spacer plates.
- Rated data refer only to the component itself. Clearance and creepage distances to other components are to be designed in accordance with the relevant application standards.
- Colours: SW = black; GN/YL = green yellow; none = grey
- Additional colours on request
- WGK: Rated voltage plastic walls: 1 - 6 mm = 800 V; metal walls: 1 - 2.5 mm = 800 V; metal walls: 2.5 - 6 mm = 690 V

### WGK 50

#### Screw connection



#### Dimensioned drawing



### Technical data

#### In compliance with IEC 60664-1 / IEC 61984

Clamping range, max.	mm <sup>2</sup>	10...50
<b>Solid core H05(07) V-U</b>	mm <sup>2</sup>	<b>16...50</b>
Stranded H07 V-R	mm <sup>2</sup>	16...50
Flexible H05(07) V-K	mm <sup>2</sup>	16...50
Flexible with ferrule	mm <sup>2</sup>	10...50
Ferrule with plastic collar	mm <sup>2</sup>	
Stripping length	mm	24
Screwdriver blade	mm	1.2 x 6.5

According to norm

Tightening torque range	Nm	4...8
<b>Rated current, max.</b>	<b>A</b>	<b>150</b>
At ambient temperature	20°C	40°C
For conductor cross-section	mm <sup>2</sup>	50
Overvoltage category		III III II
Pollution severity		3 2 2

<b>Rated voltage</b>	<b>V</b>	<b>690</b>
Rated impulse voltage	kV	6

#### UL / CUL (Use Group)

<b>Rated voltage</b>	<b>V</b>	<b>600</b>
<b>Rated current</b>	<b>A</b>	<b>145</b>
<b>AWG conductor</b>	<b>AWG</b>	<b>6-1/0</b>

#### CSA (Use Group)

<b>Rated voltage</b>	<b>V</b>	<b>600</b>
<b>Rated current</b>	<b>A</b>	<b>145</b>
<b>AWG conductor</b>	<b>AWG</b>	<b>6-1/0</b>

#### General data

Type of insulation material	Wemid (PA)
UL 94 flammability rating	V-0
Contact base material	E-Cu
Material of contact surface	tinned
Pin dimensions = d	mm
Solder eyelet Ø = D	mm
Solder eyelet Ø tolerance	mm

### Accessories

Note: Refer to the Accessories chapter for additional accessories.

Distance plate	Order No.
DP WGK 50	<b>1937030000</b>
DP WGK 50 SW	<b>1250610000</b>

Screwdriver	Order No.
SDIS 1.2X6.5X150	<b>9008420000</b>

Identification systems	Order No.
DEK 5/5 MC-10 NE WS	<b>1609801044</b>
DEK 5/6 MC NE WS	<b>1609820000</b>
DEK 5/8 MC NE WS	<b>1856740000</b>

### Ordering data

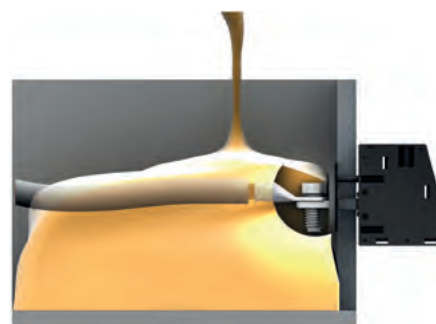
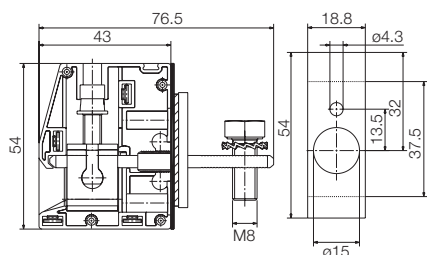
Type	Qty.	Order No.	
		With lock pins	No lock pins
WGK 50/Z SW	10	<b>1250740000</b>	
WGK 50/Z GN/YE	10	<b>1937100000</b>	
WGK 50/Z	10	<b>1937110000</b>	
WGK 50 SW	10		<b>1250730000</b>
WGK 50 GN/YE	10		<b>1937040000</b>
WGK 50	10		<b>1937090000</b>

## WGK 50 VP

### Cable lug connection



Dimensioned drawing



### Ordering data

Type	Qty.	Order No.	
		With lock pins	No lock pins
WGK 50 VP/Z SW	10	1250720000	
WGK 50 VP/Z GN/YE	10	1937070000	
WGK 50 VP/Z	10	1937080000	
WGK 50 VP SW	10		1250710000
WGK 50 VP GN/YE	10		1937050000
WGK 50 VP	10		1937060000

### Clamping yoke screw connection

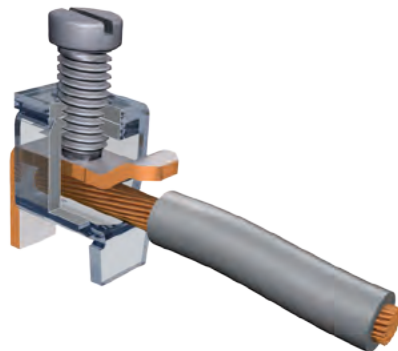
The clamping yoke connection is a proven connection in use around the world today.

Steel clamping yokes made using a stamping and bending process guarantee a vibration proof clamp connection.

When the screw on the clamp is tightened, there is a counter effect in the clamping yoke's threaded area which prevents the connection accidentally loosening.

As the screw thread is on an inclined plane, the force is amplified and a very high clamping force is achieved.

Weidmüller uses hardened steel with optimised corrosion protection for stability and safety in addition to copper alloys in the contact area for good electrical conductivity.



For the rated voltage of plastic and metal walls, see the "WGK" notes

## Through-Panel Terminals for devices Series WGK - connects up to 95 mm<sup>2</sup>

Max. clamping range: 95 mm<sup>2</sup>



The high-current feed-through terminals of the WGK series provide a universal solution for feeding currents of different magnitude through the enclosure wall.

Various types of connection on the inside, such as cable lug connections which can be encapsulated (WGK ...VP) and maintenance-free clamping yoke screw connections (WGK...) provide the optimal connection for any installation situation.

Terminals with locking pins are available for simple and fast assembly of multi-pole blocks.

### Product data

IEC: 1000 V / 232 A / 35 - 95 mm<sup>2</sup>  
UL: 600 V / 230 A / AWG 4 - 4/0



For additional articles and information, refer to [catalog.weidmueller.com](http://catalog.weidmueller.com)

#### Note:

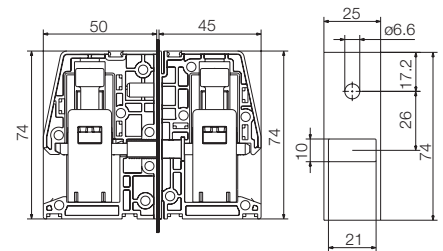
- Clearance and creepage distances to other components must be devised in accordance with the relevant application standard. This can be achieved in the device by full encapsulation or by the use of additional spacer plates.
- Rated data refer only to the component itself. Clearance and creepage distances to other components are to be designed in accordance with the relevant application standards.
- Colours: SW = black; GN/YL = green yellow; none = grey
- Additional colours on request
- WGK: Rated voltage plastic walls: 1-6 mm = 1000 V; metal walls: < 1 mm = 1000 V; metal walls: 1-3.5 mm = 800 V; metal walls: 3.5-5.5 mm = 690 V

### WGK 95

#### Screw connection



#### Dimensioned drawing



### Technical data

#### In compliance with IEC 60664-1 / IEC 61984

Clamping range, max.	mm <sup>2</sup>	35...95
<b>Solid core H05(07) V-U</b>	<b>mm<sup>2</sup></b>	<b>35...95</b>
Stranded H07 V-R	mm <sup>2</sup>	35...95
Flexible H05(07) V-K	mm <sup>2</sup>	35...95
Flexible with ferrule	mm <sup>2</sup>	35...95
Ferrule with plastic collar	mm <sup>2</sup>	35...95
Stripping length	mm	27
Screwdriver blade	mm	
According to norm		
Tightening torque range	Nm	15...20
<b>Rated current, max.</b>	<b>A</b>	<b>232</b>
At ambient temperature	20°C	40°C
For conductor cross-section	mm <sup>2</sup>	95
Overtolerance category		III III II
Pollution severity		3 2 2
<b>Rated voltage</b>	<b>V</b>	<b>1000</b>
Rated impulse voltage	kV	8

#### UL / CUL (Use Group)

	B	C	D	
<b>Rated voltage</b>	<b>V</b>	<b>600</b>		
<b>Rated current</b>	<b>A</b>	<b>230</b>		
<b>AWG conductor</b>	<b>AWG</b>	<b>4-4/0</b>		
<b>CSA (Use Group)</b>	<b>B</b>	<b>C</b>	<b>D</b>	
Rated voltage	V	600		
Rated current	A	230		
AWG conductor	AWG	4-4/0		

#### General data

Type of insulation material	Wemid (PA)
UL 94 flammability rating	V-0
Contact base material	E-Cu
Material of contact surface	tinned
Pin dimensions = d	mm
Solder eyelet Ø = D	mm
Solder eyelet Ø tolerance	mm

### Accessories

Note: Refer to the Accessories chapter for additional accessories.

Distance plate	Order No.
DP WGK 95	<b>1937020000</b>
DP WGK 95 SW	<b>1250620000</b>

Identification systems	Order No.
DEK 5/5 MC-10 NE WS	<b>1609801044</b>
DEK 5/6 MC NE WS	<b>1609820000</b>
DEK 5/8 MC NE WS	<b>1856740000</b>

### Ordering data

Type	Qty.	Order No.	
		With lock pins	No lock pins
WGK 95/Z SW	10	<b>1250690000</b>	
WGK 95/Z GN/YE	10	<b>1937390000</b>	
WGK 95/Z	10	<b>1937400000</b>	
WGK 95 SW	10		<b>1250680000</b>
WGK 95 GN/YE	10		<b>1937370000</b>
WGK 95	10		<b>1937380000</b>

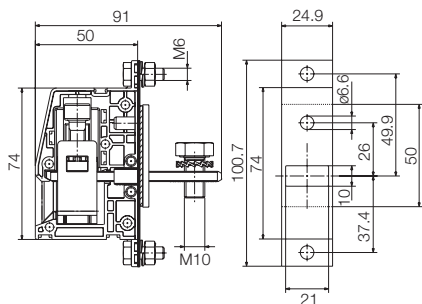


## WGK 95 F VP

### Cable lug connection



Dimensioned drawing



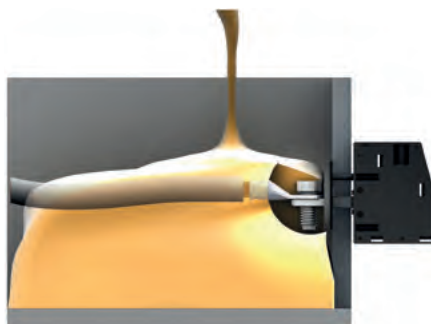
### Ordering data

		With lock pins	No lock pins
<b>Type</b>	<b>Qty.</b>	<b>Order No.</b>	<b>Order No.</b>
WGK 95 F VP/Z SW	10	1250670000	
WGK 95 F VP/Z GN/YE	10	1937360000	
WGK 95 F VP/Z	10	1937140000	
WGK 95 F VP SW	10		1250660000
WGK 95 F VP GN/YE	10		1937120000
WGK 95 F VP	10		1937130000

### Variants

The WGK...VP, VWGK 4 and VWGK 6 variants of the WGK series, with an insulating housing and clamping yoke connection on the outside, are specially enhanced for use in potted and through-panel applications. These products are developed for 100 % sealing in completely enclosed units..

WGK variants are used, for example, as device connections for EMC filters or fully insulated transformers.



### Clamping yoke screw connection

The clamping yoke connection is a proven connection in use around the world today.

Steel clamping yokes made using a stamping and bending process guarantee a vibration proof clamp connection.

When the screw on the clamp is tightened, there is a counter effect in the clamping yoke's threaded area which prevents the connection accidentally loosening.

As the screw thread is on an inclined plane, the force is amplified and a very high clamping force is achieved.

Weidmüller uses hardened steel with optimised corrosion protection for stability and safety in addition to copper alloys in the contact area for good electrical conductivity.

For the rated voltage of plastic and metal walls, see the "WGK" notes

