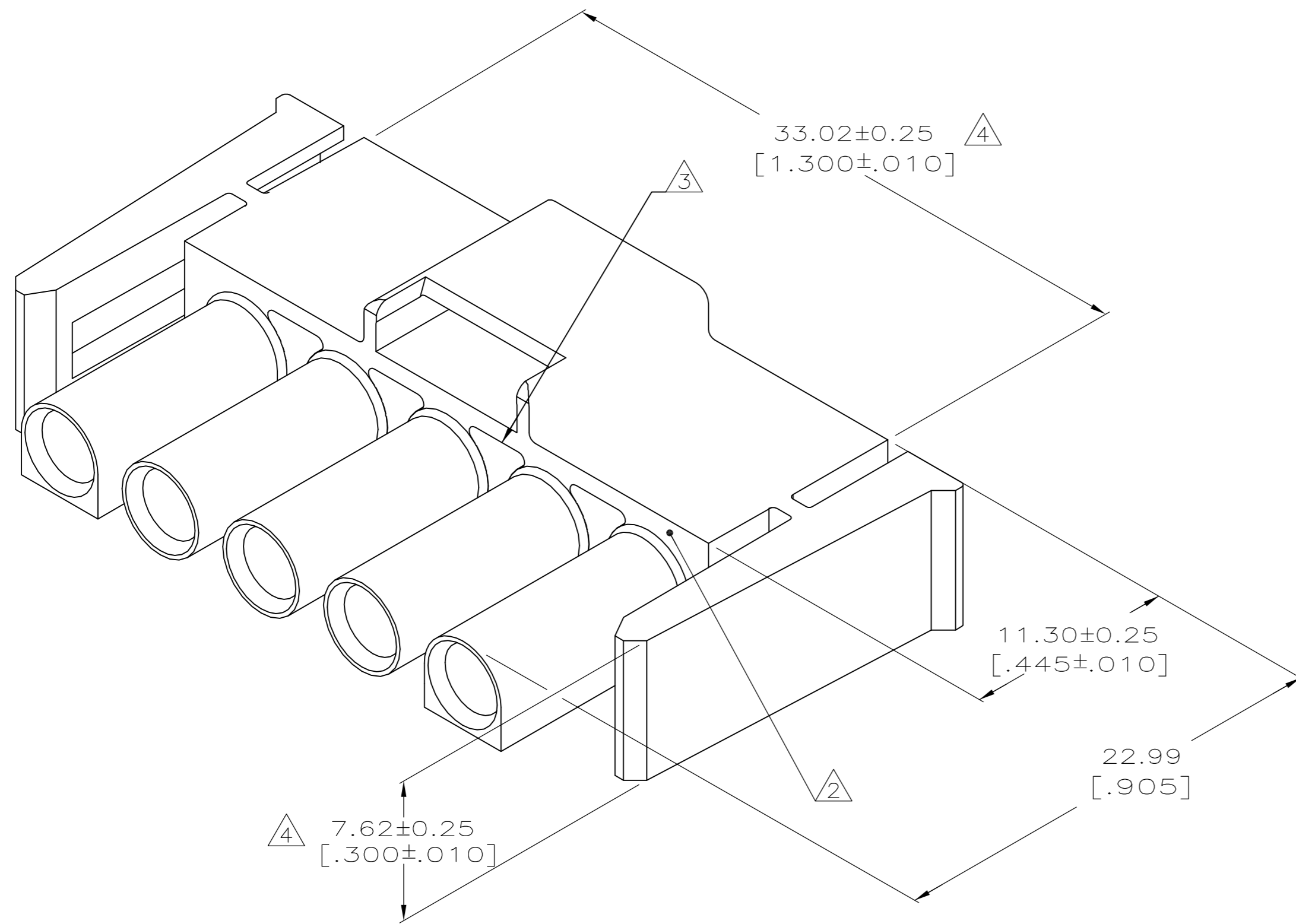


THIS DRAWING IS UNPUBLISHED. RELEASED FOR PUBLICATION
 © COPYRIGHT - By - ALL RIGHTS RESERVED.

| LOC | DIST | REVISIONS | | | | | |
|-----|------|-----------|-----|-----------------------|---------|-----|------|
| | | P | LTR | DESCRIPTION | DATE | DWN | APVD |
| CM | 53 | | | REV PER ECR 12-010419 | 07JUN12 | JR | TM |

- 1. MUST BE ASSEMBLED WITH PLUG REAR P/N 770320-1 BEFORE MATING. KIT P/N IS 770016-1.
- △2 AMP LOGO LOCATED THIS SURFACE.
- △3 NEW MOLD CONSTRUCTION PROVIDES MATERIAL REDUCTION CORING AT BASE OF SILOS WITH NO CORING AS OPTIONAL.
- △4 DIMENSION INDICATED IS AS MOLDED. ADDITIONAL GROWTH DUE TO SUBSEQUENT MOISTURE ABSORPTION MAY OCCUR.
- △5 PRELIMINARY- NOT FOR PRODUCTION



| | |
|---------------------------------|---------------|
| NYLON UL94, V0 COLOR-BLUE | △5 1-770319-4 |
| NYLON UL94, V0 COLOR-RED | △5 1-770319-2 |
| NYLON UL94, V0 COLOR-NATURAL | 770319-1 |
| MATERIAL & COLOR | PART NUMBER |

| | | | | | | | | |
|--|--|------------------|-----------|---------|---|-----------|------------|---------------|
| THIS DRAWING IS A CONTROLLED DOCUMENT. | | DWN | K. SALMON | 1-15-92 | STE TE Connectivity | | | |
| DIMENSIONS: MM [INCHES] | | CHK | R. SWING | 1-15-92 | | | | |
| TOLERANCES UNLESS OTHERWISE SPECIFIED: | | APVD | M. TRULL | 1-16-92 | NAME PLUG FRONT, 5 CIRCUIT, UNIVERSAL MATE-N-LOK II | | | |
| 0 PLC ± - | | PRODUCT SPEC | - | | SIZE | CAGE CODE | DRAWING NO | RESTRICTED TO |
| 1 PLC ± - | | APPLICATION SPEC | - | | A2 | 00779 | C=770319 | - |
| 2 PLC ± - | | WEIGHT | - | | SCALE | SHEET | REV | |
| 3 PLC ± 0.13 [.005] | | CUSTOMER DRAWING | - | | 5:1 | 1 of 1 | E1 | |
| 4 PLC ± - | | | - | | | | | |
| ANGLES ± - | | | - | | | | | |
| FINISH | | | - | | | | | |
| SEE TABLE | | | - | | | | | |