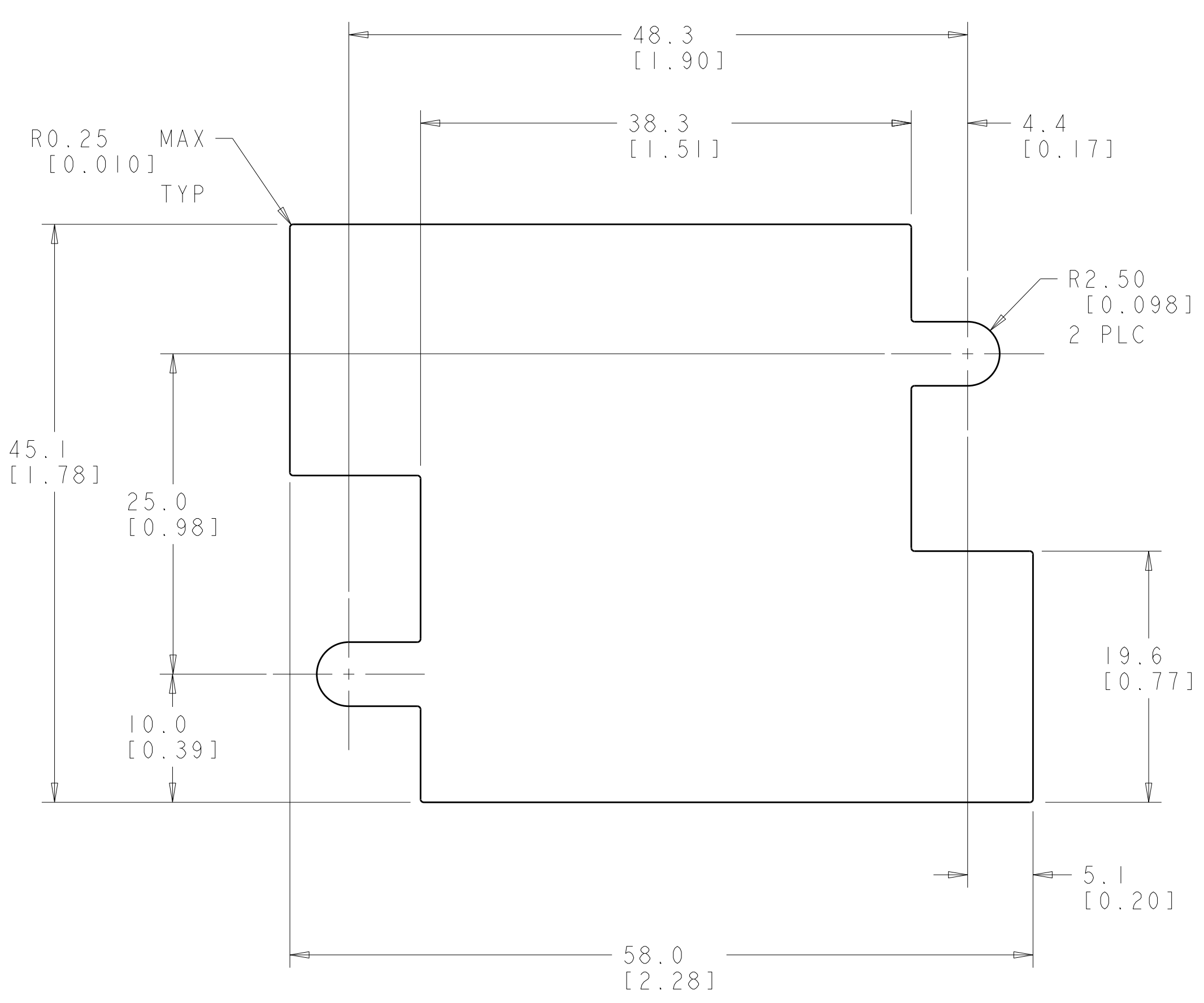
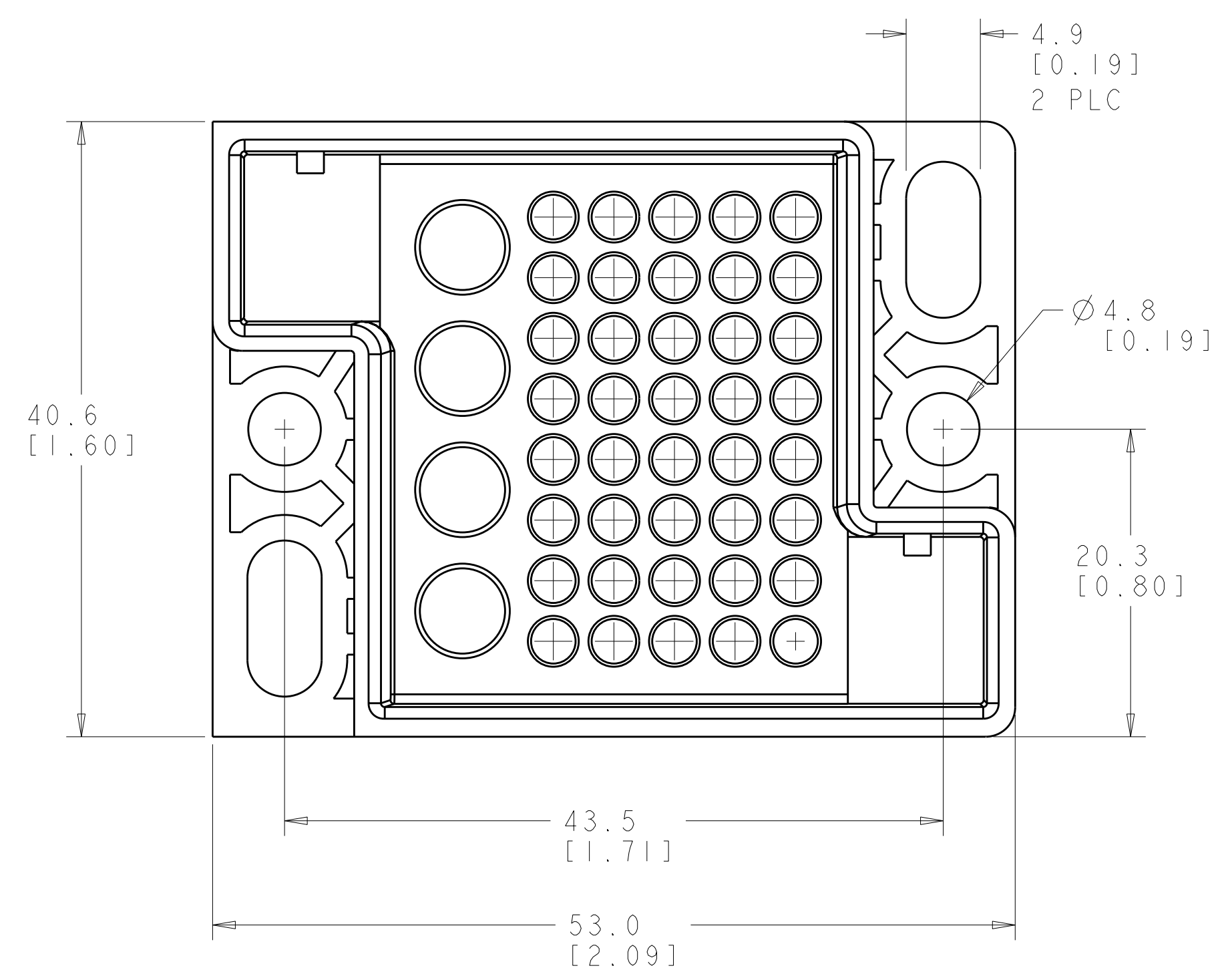
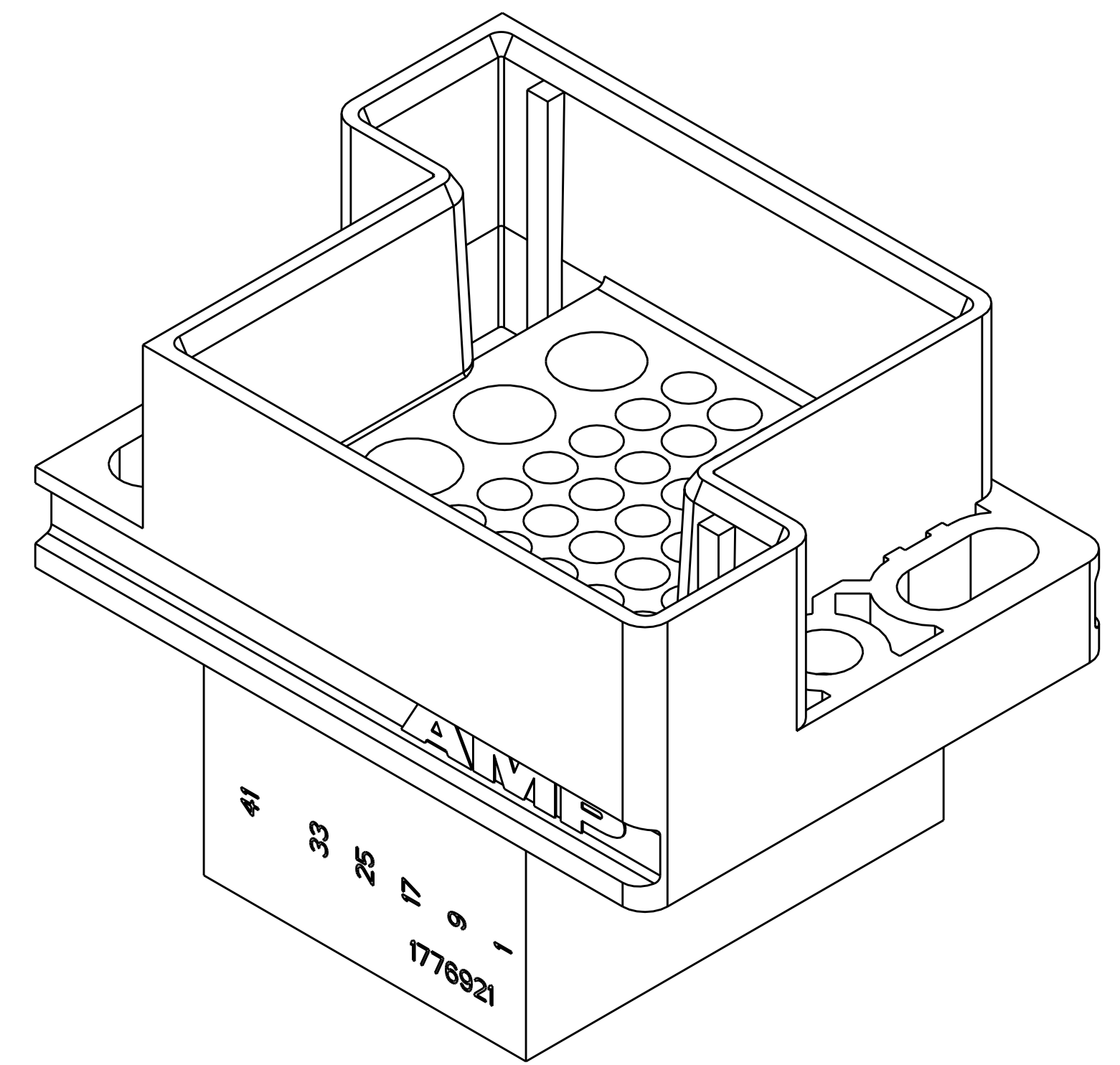
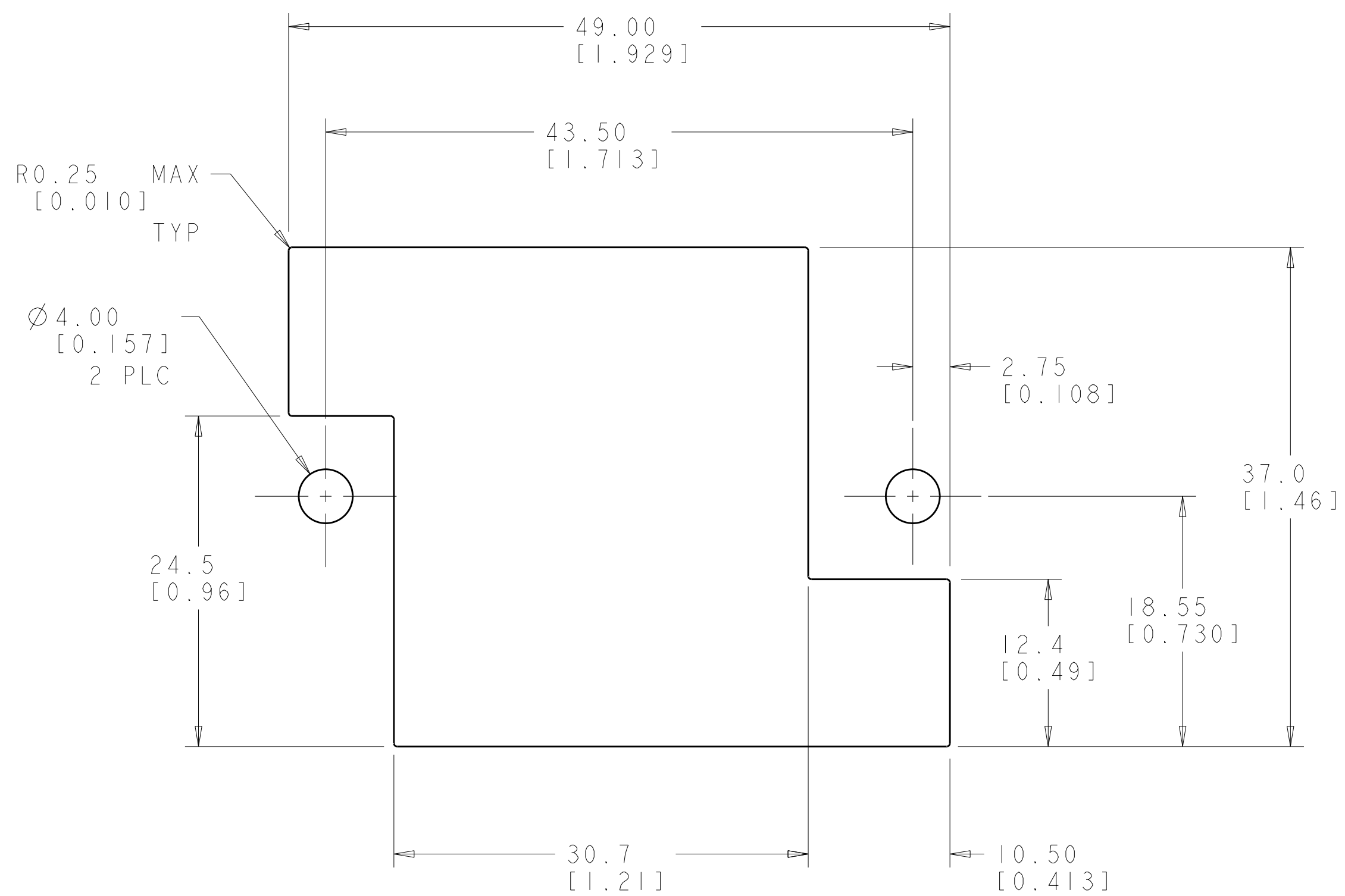
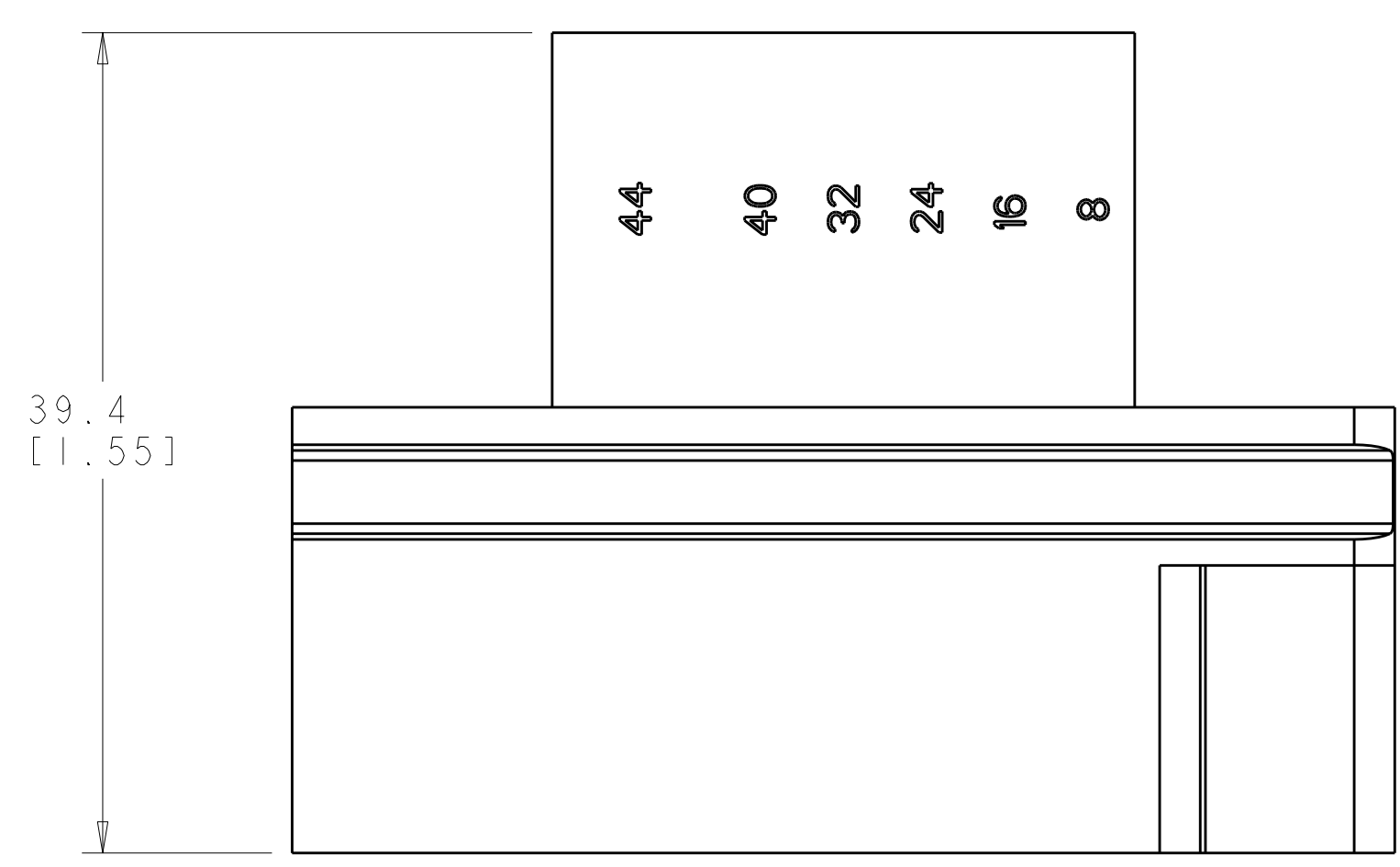
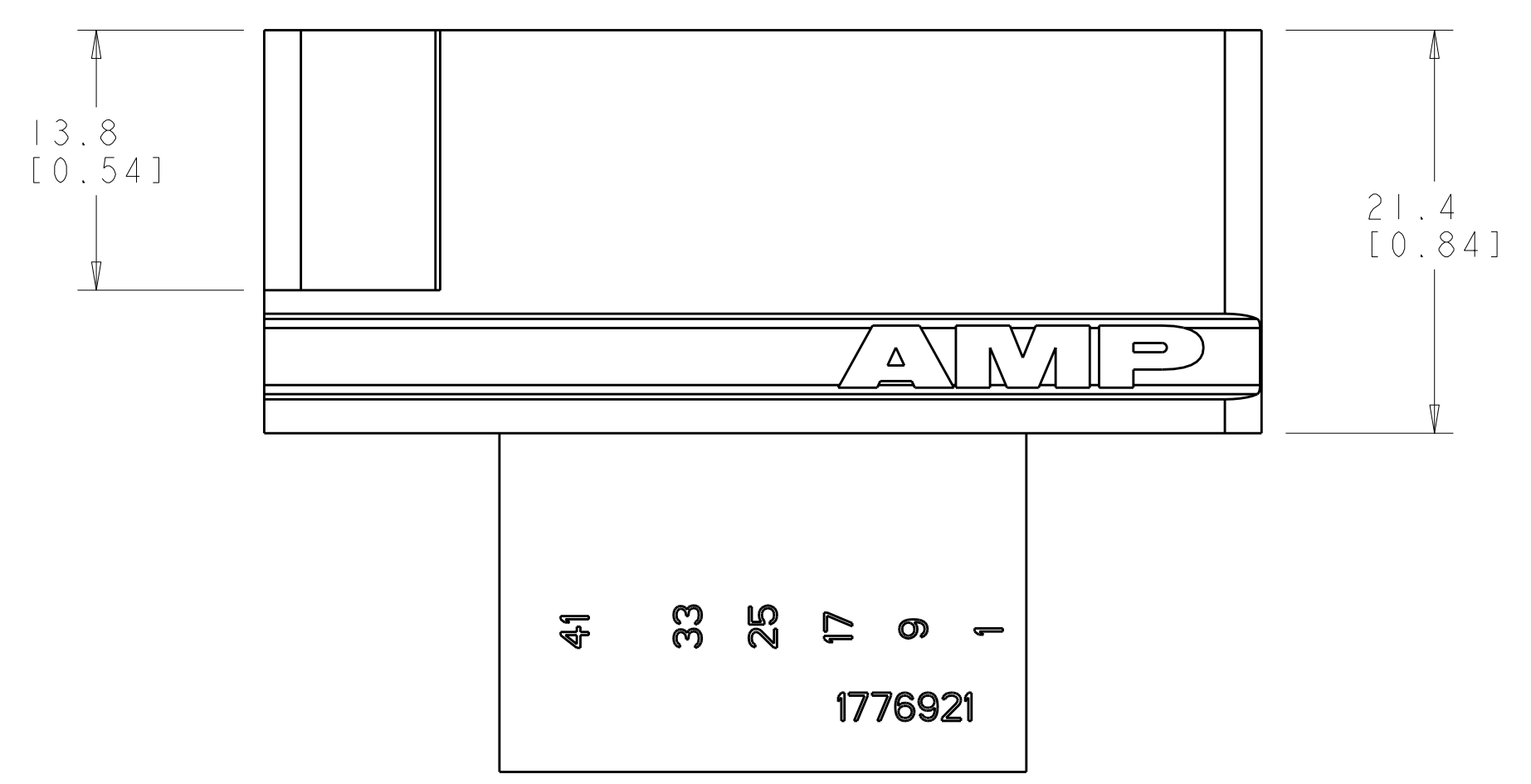


LOC	DIST	REV	DESCRIPTION	DATE	DWN	APVD
FT	0	A	RELEASED	200CT2006	SW	GS



1. POSITIONS 1-40 ARE FOR SIZE 16 CONTACTS.
2. POSITIONS 40-44 ARE FOR 3mm CONTACTS.
3. INSERTS ARE NOT REQUIRED WHEN FLOAT MOUNTING.
4. ALL DIMENSIONS EXCEPT PANEL CUTOUTS ARE REFERENCE ONLY.



1776921-1
PART NUMBER

DIMENSIONS: mm [INCHES] 		TOLERANCES UNLESS OTHERWISE SPECIFIED: 0 PLC ± 1 PLC ± 2 PLC ± 3 PLC ± 4 PLC ± ANGLES ±		DWN S. WELDON 200CT2006 CHK G. STEINHÄUER 200CT2006 APVD G. STEINHÄUER 200CT2006 PRODUCT SPEC APPLICATION SPEC WEIGHT CUSTOMER DRAWING		Tyco Electronics Harrisburg, PA 17105-3608 NAME RECEPTACLE HOUSING, 44 POSITION, Multi Pin Plus, AMPPOWER SIZE CAGE CODE DRAWING NO. RESTRICTED TO A 00779 C-1776921 SCALE 3:1 SHEET 1 OF 1 REV A	
-----------------------------	--	---	--	--	--	--	--