

120mm sq.

San Ace 120



General Specifications

- Material Frame: Plastics (Flammability: UL94V-0),
Impeller: Plastics (Flammability: UL94V-1)
- Expected Life Refer to specifications (L10:Survival rate:90% at 60°C ,
rated voltage, and continuously run in a free air state)
- Lead Wire ⊕red ⊖black (Sensor) yellow
- Storage Temperature -30°C to +70°C (Non-condensing)

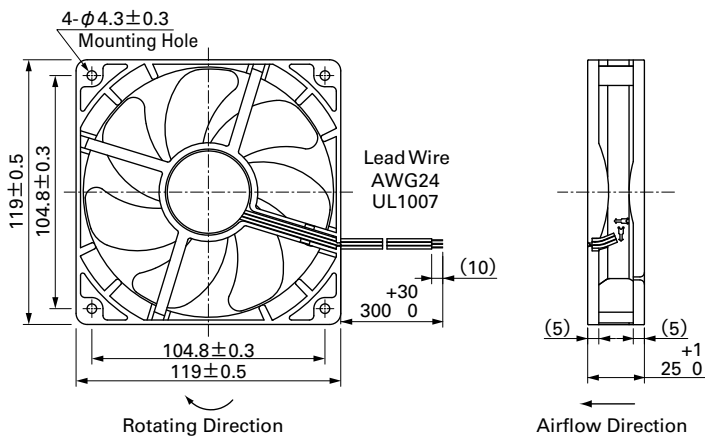
120×120×25mm (Mass : 140g) **9S type** **Silent Fan**

Specifications The following nos. **have pulse sensors and ribs.** For ribless, append "1" to the model no.

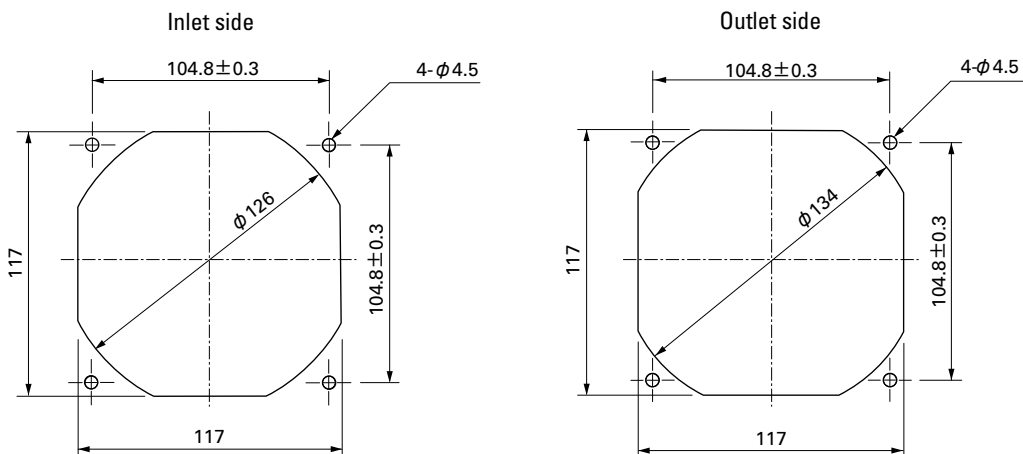
Model No.	Rated Voltage [V]	Operating Voltage Range [V]	Rated Current [A]	Rated Input [W]	Rated Speed [min ⁻¹]	Max. Airflow [m ³ /min] [CFM]	Max. Static Pressure [Pa] [inchH ₂ O]	SPL [dB(A)]	Operating Temperature [°C]	Expected Life [h]
9S1212H401	12	5.0 to 13.2	0.39	4.68	2,700	2.45 86.5	45.2 0.18	36	-10 to +60	40,000/60°C
9S1212F401		5.0 to 13.8	0.19	2.28	2,200	2.00 70.6	30.0 0.12	30		
9S1212M401		6.0 to 13.8	0.13	1.56	1,850	1.66 58.6	22.7 0.09	24		
9S1212L401		7.0 to 13.8	0.08	0.96	1,500	1.36 48.1	14.9 0.06	17		
9S1224M401	24	14 to 26.4	0.06	1.44	1,850	1.66 58.6	22.7 0.090	24		

Other sensor specifications are available as options. Please refer to the index (p. 510).

Dimensions (unit: mm) (With ribs)



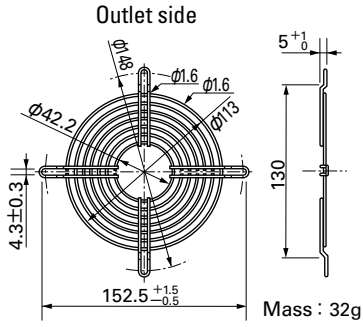
Reference Dimensions of Mounting Holes and Vent Opening (unit: mm)



Options (unit: mm)

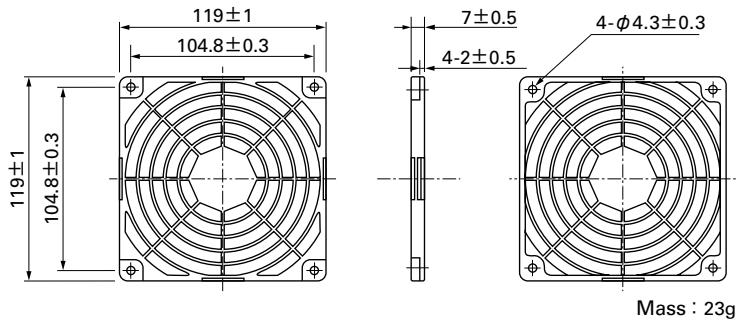
Finger Guards

Model : 109-019C Surface treatment : Nickel-chrome plating (silver) Color
: 109-019H : Cation electropainting (black)



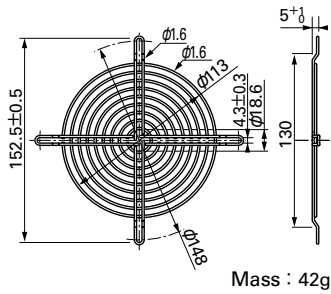
Resin Finger Guards

Model : 109-1000G



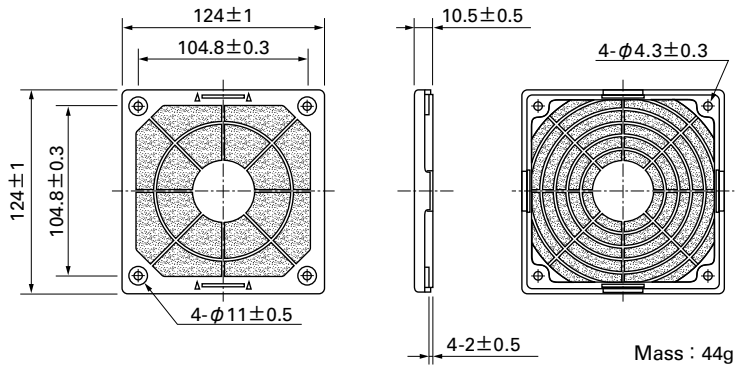
Model : 109-019E Surface treatment : Nickel-chrome plating (silver) Color
: 109-019K : Cation electropainting (black)

Inlet side, Outlet side



Resin Filter Kits

Model : 109-1000F13 (13PPI), 109-1000F20 (20PPI)
: 109-1000F30 (30PPI), 109-1000F40 (40PPI)



Airflow - Static Pressure Characteristics

