

### Interference Suppression Film Capacitors MKP Radial Potted Type



#### FEATURES AND BENEFITS

- Rated voltage 330 V<sub>AC</sub>; 50 Hz to 60 Hz
- Capacitance range 0.001 μF to 2.2 μF
- Halogen-free product
- Maximum application temperature 110 °C
- Withstanding pulse loads: uncontrolled mains switching must be sustained
- Safe end-of-life behavior
- Safety standard approvals:
  - IEC 60384-14
  - CSA -E384-14
  - UL 60384-14
  - CQC

#### APPLICATIONS

- For standard across the line X1 applications up to 330 V<sub>AC</sub>

#### RESOURCES

- Datasheet: [F339X1 330 VAC - www.vishay.com/doc?28185](http://www.vishay.com/doc?28185)
- For technical questions contact [rfi@vishay.com](mailto:rfi@vishay.com)
- Material categorization: For definitions of compliance please see [www.vishay.com/doc?99912](http://www.vishay.com/doc?99912)



**RoHS**  
COMPLIANT

**HALOGEN**  
**FREE**

One of the World's Largest Manufacturers of  
Discrete Semiconductors and Passive Components



# FILM CAPACITORS

## F339X1 330VAC

Capacitors – Across-the-line X1 applications

### FEATURES

- 7.5 mm to 27.5 mm lead pitch
- Supplied loose in box or taped on reel
- Material categorization:  
For definitions of compliance please see [www.vishay.com/doc?99912](http://www.vishay.com/doc?99912)

### APPLICATIONS

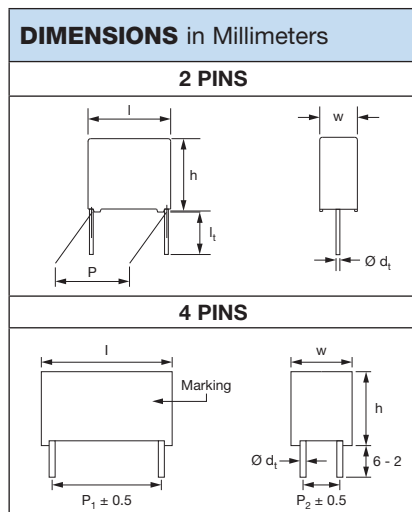
For standard across the line X1 applications  
See also application note: [www.vishay.com/doc?28153](http://www.vishay.com/doc?28153)



QUICK REFERENCE DATA	
Capacitance range (E24 series)	0.001 $\mu$ F to 2.2 $\mu$ F (preferred values according to E6)
Capacitance tolerance	$\pm 20\%$ ; $\pm 10\%$ ; ( $\pm 5\%$ on request)
Climatic testing class according to IEC 60068-1	55/110/56/B
Rated AC voltage	330 V <sub>AC</sub> ; 50 Hz to 60 Hz
Permissible DC voltage	800 V <sub>DC</sub>
Maximum application temperature	110 °C
Reference standards	IEC 60384-14 and EN 60384-14 IEC 60065 requires pass. flamm. class B CSA-E384-14; UL 60384-14 CQC
Dielectric	Polypropylene film
Electrodes	Metallized
Construction	Mono construction
Encapsulation	Plastic case, epoxy resin sealed, flame retardant UL-class 94 V-0
Leads	Tinned wire
Marking	C-value; tolerance; rated voltage; sub-class; manufacturer's type; code for dielectric material; manufacturer location; manufacturer's logo or lettering; year and week; safety approvals

### Note

- For more detailed data and test requirements, contact [rfi@vishay.com](mailto:rfi@vishay.com)



PITCH (mm)		7.5	10	15
C ( $\mu$ F)	Min.	0.001	0.001	0.01
	Max.	0.0056	0.033	0.18
Dimensions w x h x l (mm)	Min.	4.0 x 9.0 x 10.0	4.0 x 10.0 x 12.5	5.0 x 11.0 x 17.5
	Max.	6.0 x 11.5 x 10.0	6.0 x 12.0 x 12.5	10.0 x 16.5 x 17.5

PITCH (mm)		22.5	27.5
C ( $\mu$ F)	Min.	0.1	0.22
	Max.	0.68	2.2
Dimensions w x h x l (mm)	Min.	6.0 x 15.5 x 26.0	9.0 x 19.0 x 31.5
	Max.	12.5 x 22.5 x 26.5	21.0 x 31.0 x 31.0