

COMAIR ROTRON MIXTUS 6.8 SERIES FANS

- High Pressure DC Cooling With Multiple Configurations
- Available Standard With OC Tachometer & PWM
- Dependability With A 12 Month Warranty
- 3 Phase Technology
- Outstanding Airflow
- Harsh Environments
- Also Available E3 Coated



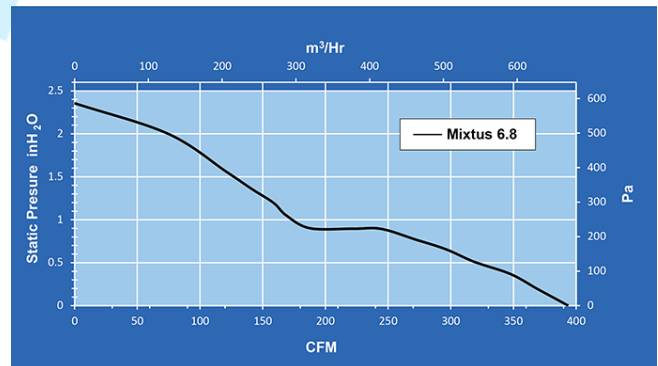
www.comairrotron.com

172 x 51 mm

Performance Specifications

Model Number	MFXE24Z3D3-E2	MFXE48Z3D3-E2
Nominal Voltage	24 Volts DC	48 Volts DC
Operating Voltage Range	16 - 32VDC	24 - 72VDC
Nominal Running Current	3.1 Amps	1.55 Amps
Locked Rotor Current	3.9 Amps	3 Amps
Running Power	74.4 Watts	74.4 Watts
Speed	5400 RPM	5400 RPM
Rated Airflow	400 CFM	400CFM
Noise	69 dBA	69 dBA

Performance Graph

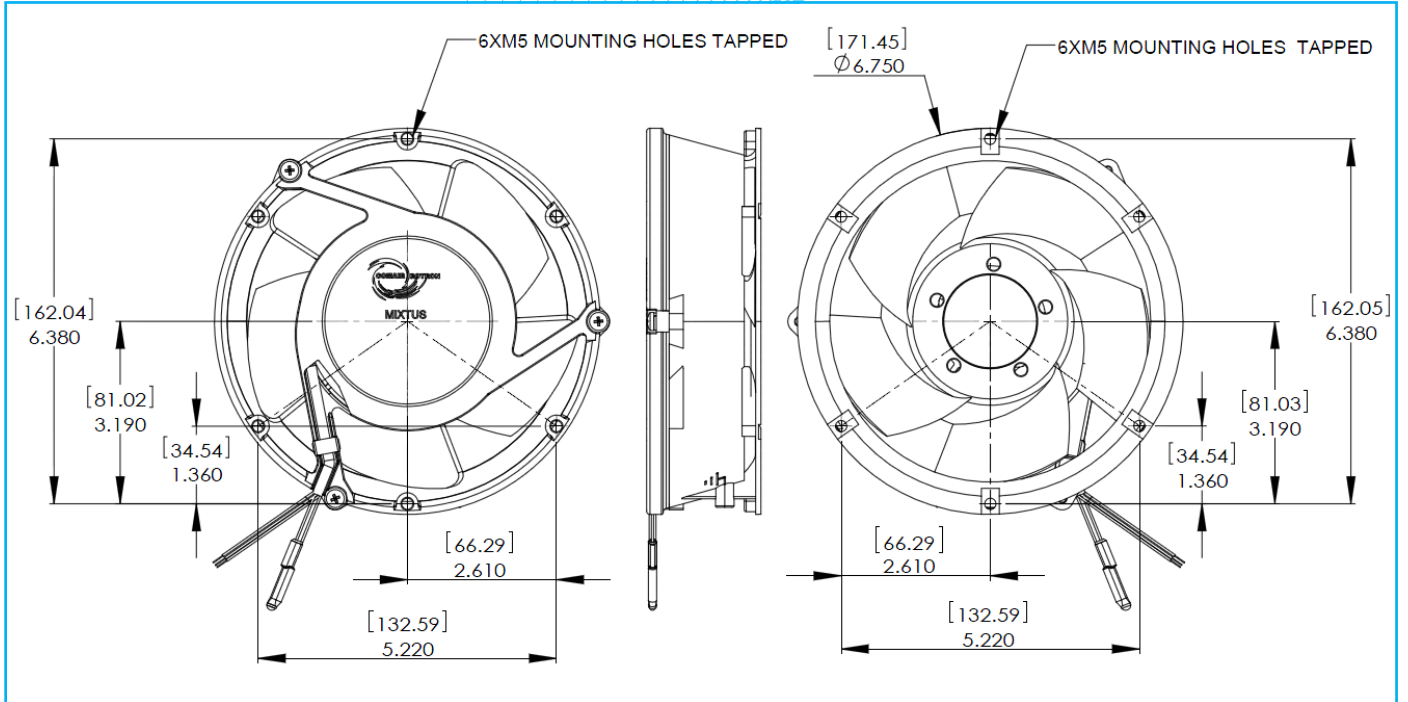


U.S. **Phone** +1-972-644-5591
Fax +1-972-669-8654
E-mail: sales@comairrotron.com

Europe **Phone** +44-7595-221168
Fax +86-21-62391969
E-mail: sales@comairrotron.com

Asia **Phone** +86-21-62391260
Fax: +86-21-62391969
E-mail: sales@comairrotron.com

Air moving solutions made simple

Mechanical Drawing**Product Specifications**

Brushless DC Motor
 Locked Rotor Protection
 Reverse Polarity Protected
 Automatic Restart Capability
 Reverse Polarity Protected

Operating Temperature: -20°C to 70°C
 Storage Temperature: -40°C to 85°C
 Bearings type: Ball

Alarm Output (FPS)

Open Collector (NPN Transistor)
 High On Pass, Low on Fail
 V_{CC} : 32Vdc Max/60Vdc Max
 Sink Current (I_C): 20mA Max
 Isolated: No
 Latching: No
 Delay: 10±4s

Construction

Venturi : Die Cast Aluminum Alloy, Black.
 Propeller: Plastic, Black, UL94V-0.

Life Expectancy

This fan is designed for continuous duty life of 75,000 hours at 40°C

Termination

12" Lead wires, UL 1007, 20 AWG
 Red - Power (+)
 Black - Return (-)
 Blue - FPS

More Information

Find more information on our products,
 visit WWW.COMAIRROTRON.COM

