

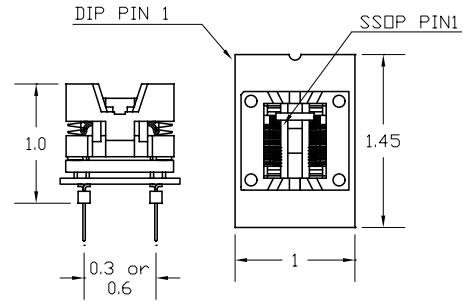
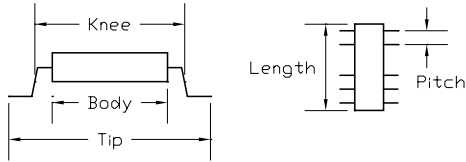
# PAXSS-OT-3(-6) Data Sheet

## 16-28 pin SSOP socket/16-28 pin DIP plug (0.3" or 0.6")

### Supported Device/Footprints

These adapters convert SSOP devices to DIP footprints. They are commonly used for device programming.

The SSOP socket accepts packages with the dimensions listed below:



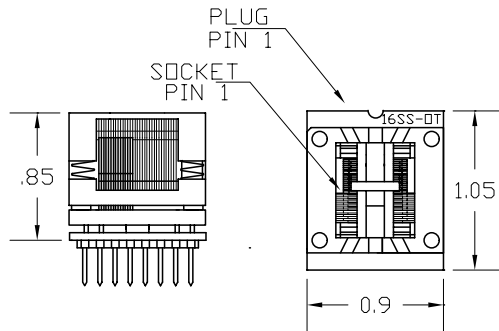
PA28SS-OT-6 (Drawing D)

| Body mm (inches) |                |                | Knee mm (inches) |                |                |
|------------------|----------------|----------------|------------------|----------------|----------------|
| min.             | typ.           | max.           | min.             | typ.           | max.           |
| n/a              | 5.3<br>(0.209) | 5.7<br>(0.224) | n/a              | 6.4<br>(0.250) | 6.5<br>(0.256) |

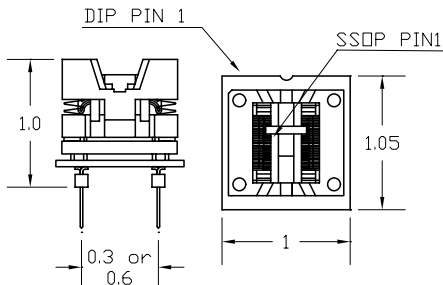
| Tip mm (inches) |                |                | Lead Pitch mm (inches) |  |
|-----------------|----------------|----------------|------------------------|--|
| min.            | typ.           | max.           | typ.                   |  |
| 7.6<br>(0.299)  | 7.8<br>(0.307) | 8.0<br>(0.315) | 0.65<br>(0.0256)       |  |

| Pins | Body Length mm (inches) |
|------|-------------------------|
| 16   | 6.20(0.245) typ         |
| 20   | 7.20(0.285) typ         |
| 24   | 8.64 (0.340) max        |
| 28   | 10.64 (0.419) max.      |

### Adapter Dimensions



PA16SS-OT-3 (Drawing C)



PA20SS-OT-6 (Drawing E)

### Renamed Adapters

The following adapters were re-named and are now included in this data sheet.

| Old        | New         |
|------------|-------------|
| PA20SO.601 | PA20SS-OT-3 |
| PA24SO.601 | PA24SS-OT-3 |
| PA28SO.601 | PA28SS-OT-6 |

### Adapter Construction

The adapter is made up of 2 sub-assemblies. They assemble via connectors making the adapter modular. This way the sub-assemblies can be replaced easily.

When disassembling the adapter take care not to bend the pins. When reassembling the adapter note the pin 1 indicators to align the parts correctly.

The following chart shows the various socket and board part numbers that make up these adapters.

| Adapter     | Plug | Test Socket | Board        | Drawing |
|-------------|------|-------------|--------------|---------|
| PA16SS-OT-3 | 0.3" | 16(34)SG-01 | 16SS-OT      | C       |
| PA16SS-OT-6 | 0.6" | 16(34)SG-01 | 20SS-OT-16-6 | E       |
| PA20SS-OT-3 | 0.3" | 20(34)SG-01 | 20SS-OT-3    | E       |
| PA20SS-OT-6 | 0.6" | 20(34)SG-01 | 20SS-OT-6    | E       |
| PA24SS-OT-3 | 0.3" | 24(34)SG-01 | 28SS-OT-24-3 | D       |
| PA24SS-OT-6 | 0.6" | 24(34)SG-01 | 28SS-OT-24-6 | D       |
| PA28SS-OT-3 | 0.3" | 28(34)SG-01 | 28SS-OT-3    | D       |
| PA28SS-OT-6 | 0.6" | 28(34)SG-01 | 28SS-OT-6    | D       |

### Test Sockets

| LSC #       | Style    | Mfgr/Pn                   |
|-------------|----------|---------------------------|
| xx(34)SG-01 | Open Top | Enplas OTS-xx(34)-0.65-01 |

### Adapter Wiring

The adapter is wired 1-1. Pin 1 of the SSOP connects to pin 1 of the DIP plug, pin 2 to pin 2 and so on around the package.