

PanZone® Wall Mount Enclosure

PANDUIT®

SPECIFICATION SHEET

specifications

Enclosure shall meet TIA/EIA consolidation point standard requirements. Enclosure shall be mounted recessed into wall or on wall and accepts punchdown bases or patch panels. Optional covers shall be available for in wall or on wall applications. Conduit knockouts shall be available to route cables in and out of enclosure.



technical information

TIA/EIA Compliance: Meets TIA/EIA-568-B.1 standard consolidation point requirements)

Dimensions:	Part Number	Height in. (mm)	Width in. (mm)	Depth in. (mm)
	PZB4	24.5 (623)	14.3 (362)	4.0 (102)
	PZB4-HC	26.0 (662)	15.8 (400)	1.1 (28)
	PZB4-FC	24.5 (623)	14.3 (362)	-
	PZBPPB	3.6 (91)	0.65 (17)	2.2 (56)

Mounting: Two pair of user positionable 3 RU mounting brackets are included for active or passive equipment

Packaging: Base, locking door, two pair of 3 RU brackets, #10-32 grounding stud, wall mounting template

Material: 16 gauge steel

key features and benefits

Base capacity	Accepts up to four 100 pair punchdown bases
Conduit knockouts	Available on each side to route cable in and out of enclosure
Cable tie slots	Available for cable management
Optional bracket	Allows 2 RU of standard 19" patch panels to be mounted in enclosure
Choice of covers	Hinged cover includes lock for added security Flat cover provides a flush look for on wall mounting

applications

PanZone® enclosure allows consolidation of several outlets in one location, saving time and money by reducing the amount of time required to complete moves, adds and changes. The enclosure is designed to hold a variety of Panduit products, up to four 100 pair Pan-Punch™ bases with legs or three high density/144 pair GP6™ PLUS bases with legs.

The optional hinged door is recommended for mounting the enclosure recessed in wall between two 2"x4" studs that are 16" apart center to center. Metal trim of hinged door covers the irregularities of the drywall surrounding the enclosure and locking feature will add security. Optional flat cover is recommended for on wall installations. Optional bracket allows up to two RU 19" standard patch panels to accommodate a variety of multimedia applications.

PanZone® Enclosure

Enclosure bases:	PZB4
Hinged cover:	PZB4-HC
Flat cover:	PZB4-FC
Patch panel bracket:	PZBPPB

Punchdown Bases

GP6 PLUS High Density Base with legs:	GPBW144-X
GP6 PLUS Standard Density Base with legs:	GPBW24-X
Pan-Punch Base with legs:	P110BW100-X

Mini-Com® Ultimate ID® Modular Patch Panels (2RU)

48 port with labels:	CPPL48WBLY
72 port with labels:	CPPL72WBLY
48 port:	CPP48WBLY
48 port M6:	CPPL48M6BLY

Mini-Com® Punchdown Patch Panels (2 RU)

48 port DP6™ PLUS Panel:	DP48688TGY
48 port DP5e™ Panel:	DP485E88TGY

PanZone® Solid UTP Patch Cords**

Cat 6A SD, plenum, plug-plug, blue:	UXPPBU*
Cat 6, plenum, plug-plug, blue:	UPPBU*

PanZone® Solid STP Patch Cords**

Cat 6A, plenum, plug-plug, blue:	SAPPBU*
---	---------

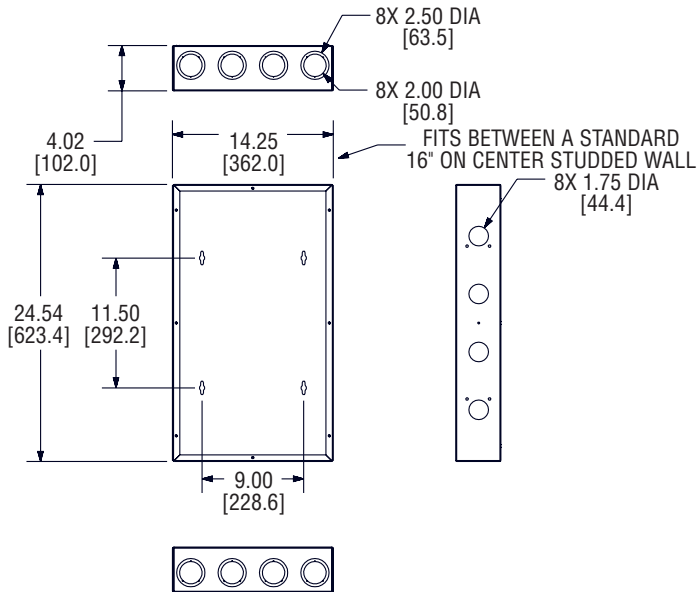
* Zone cords are available in 10 to 100 ft lengths in 5 ft increments. And 100 to 150 ft lengths in 10 ft increments.

** Plug to Plug versions are listed. Jack to Plug and Jack to Jack options are also available

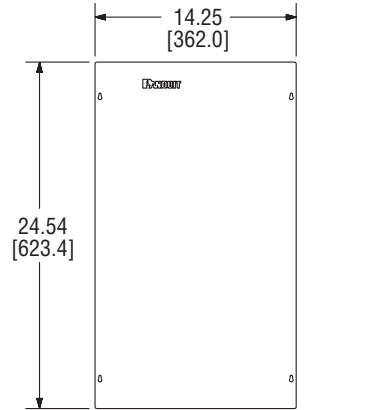
Installer Tip: Patch panels can be secured to pre-drilled holes located on the base providing a solid surface while terminating the panel.

PanZone® Wall Mount Enclosure

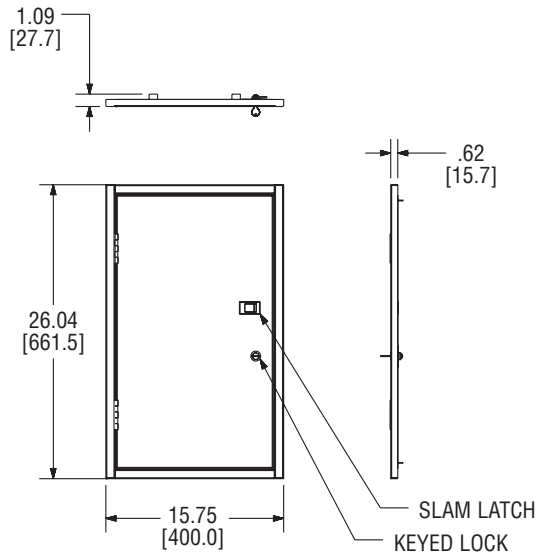
PZB4



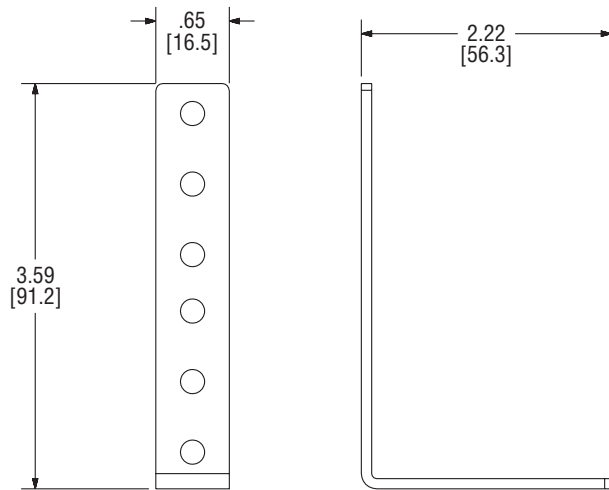
PZB4-FC



PZB4-HC



PZBPPB



Dimensions are in inches (Dimensions in parentheses are metric)

WORLDWIDE SUBSIDIARIES AND SALES OFFICES

PANDUIT CANADA
 Markham, Ontario
 cs-cdn@panduit.com
 Phone: 800.777.3300

PANDUIT EUROPE LTD.
 London, UK
 cs-emea@panduit.com
 Phone: 44.20.8601.7200

PANDUIT SINGAPORE PTE. LTD.
 Republic of Singapore
 cs-ap@panduit.com
 Phone: 65.6305.7575

PANDUIT JAPAN
 Tokyo, Japan
 cs-japan@panduit.com
 Phone: 81.3.6863.6000

PANDUIT LATIN AMERICA
 Guadalajara, Mexico
 cs-la@panduit.com
 Phone: 52.33.3777.6000

PANDUIT AUSTRALIA PTY. LTD.
 Victoria, Australia
 cs-aus@panduit.com
 Phone: 61.3.9794.9020

For a copy of Panduit product warranties, log on to www.panduit.com/warranty

For more information

Visit us at www.panduit.com

Contact Customer Service by email: cs@panduit.com
 or by phone: 800.777.3300

©2016 Panduit Corp.
 ALL RIGHTS RESERVED.
 OTSP47--WW-ENG
 Replaces SA-OTSP02
 12/15/16

PANDUIT®