

Customer Information Sheet

DRAWING No.: M83-LML3M7NXX-0000-000

SHEET 2 OF 2

IF IN DOUBT - ASK

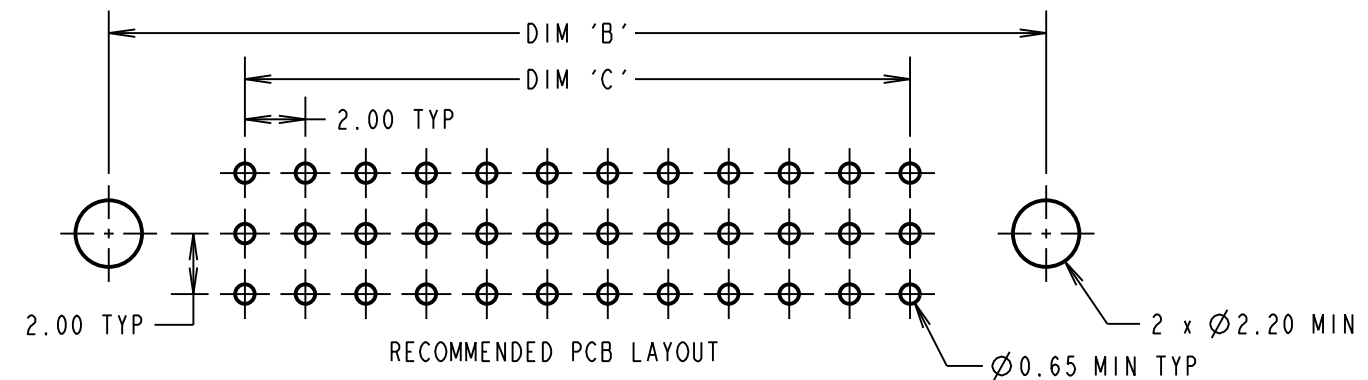
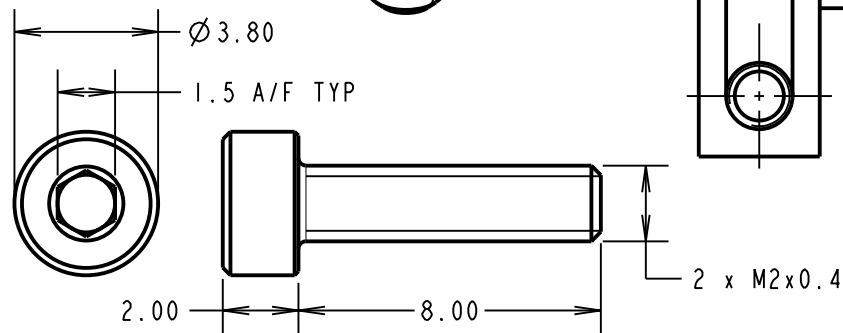
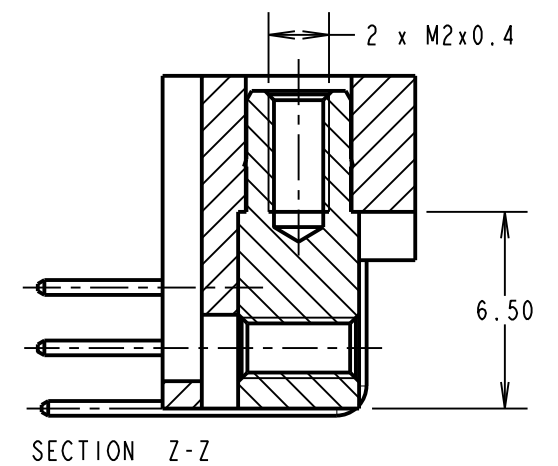
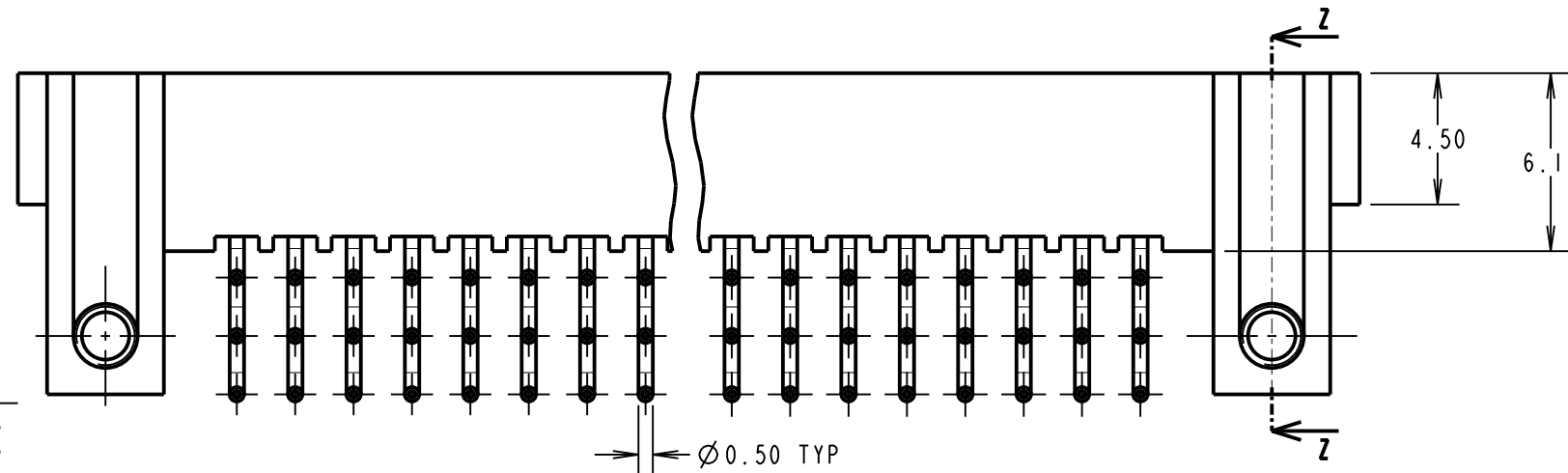
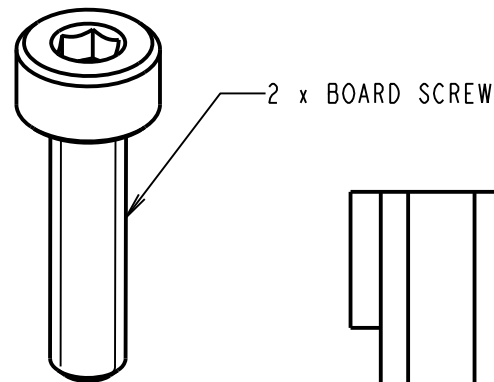
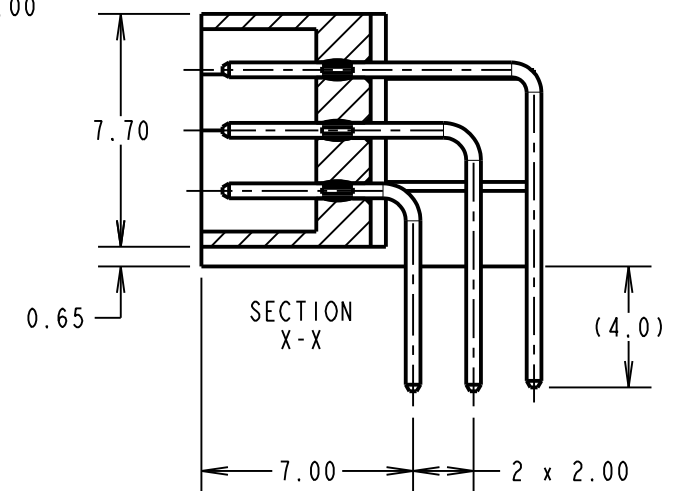
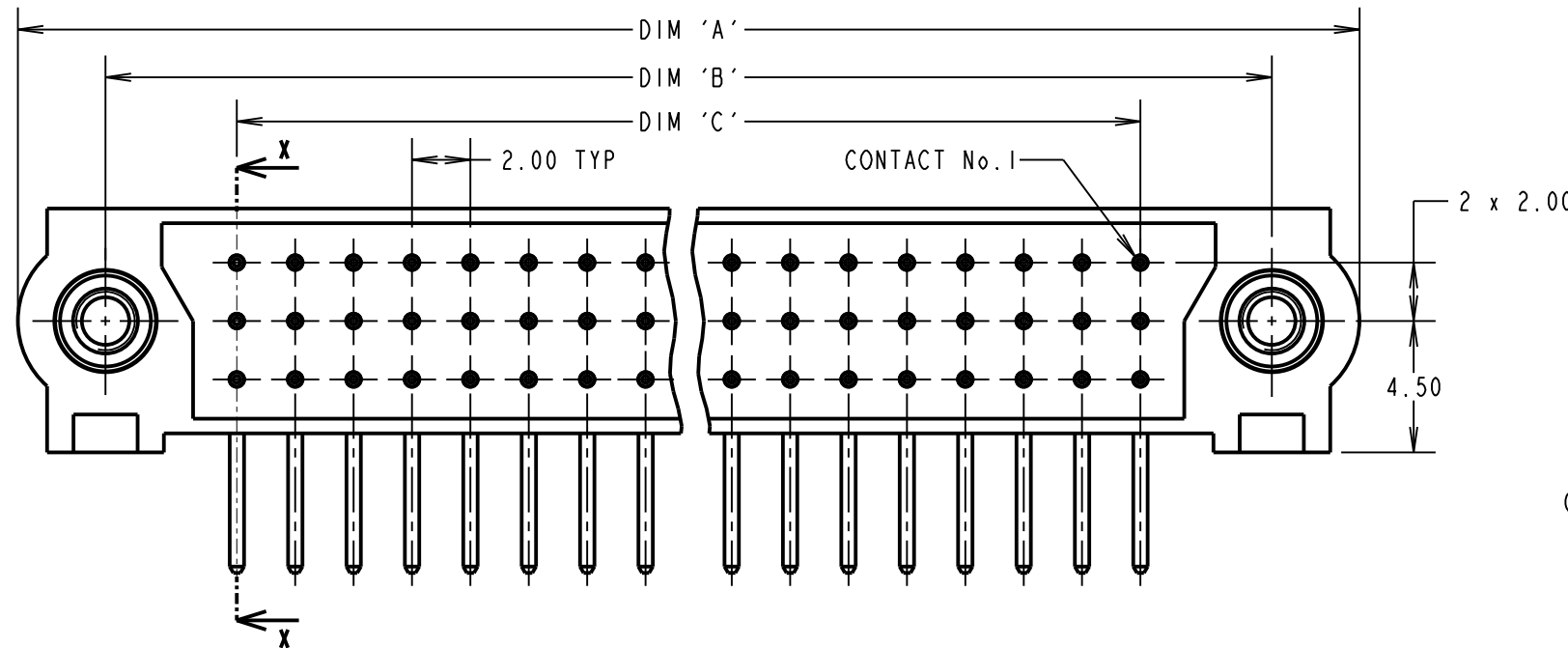
(C)

NOT TO SCALE

THIRD ANGLE PROJECTION

ALL DIMENSIONS IN mm

SPECIFICATIONS:
MATERIAL:
 MOULDING = GLASS-FILLED PPS,
 UL94V-0, BLACK
 JACKSCREW = STAINLESS STEEL
 SIGNAL CONTACT = PHOSPHOR BRONZE
FINISH:
 SIGNAL CONTACT = 0.75µ GOLD
ELECTRICAL:
 CURRENT RATING AT 25°C = 3.0A MAX
 CURRENT RATING AT 85°C = 2.2A MAX
 WORKING VOLTAGE = 800V AC/DC
 VOLTAGE PROOF = 1200V AC/DC
 CONTACT RESISTANCE = 25 mΩ MAX
 INSULATION RESISTANCE = 100 MΩ MIN
MECHANICAL:
 DURABILITY = 500 OPERATIONS
ENVIRONMENTAL:
 TEMPERATURE RANGE = -55°C TO +125°C
PACKING:
 TRAY.
 BOARD SCREWS PACKED IN SEPERATE BAG
 FOR COMPLETE SPECIFICATION, SEE
 COMPONENT SPECIFICATION C005XX
 (LATEST ISSUE)



ORDER CODE:
M83-LML3M7NXX-0000-000
 TOTAL No. OF CONTACTS
 18, 27, 36, 48, 54, 60, 96

MGP	3	14.06.12	11757
NAME	ISS.	DATE	C/NOTE
APPROVED: MGP			
CHECKED: SF			
DRAWN: S. MCCULLAGH			
CUSTOMER REF.:			
ASSEMBLY DRG:			

DIMENSION	CALCULATION
DIM 'A'	((TOTAL No. OF CONTACTS /3) x2) +13
DIM 'B'	((TOTAL No. OF CONTACTS /3) x2) +7
DIM 'C'	((TOTAL No. OF CONTACTS /3) x2) -2
EXAMPLE: CONNECTOR WITH 27 CONTACTS, M83-LML3M7N27-0000-000	
DIM 'A' = 31.00, DIM 'B' = 25.00, DIM 'C' = 16.00	

HARWIN
 www.harwin.com
 technical@harwin.com

THIS DRAWING AND ANY INFORMATION OR DESCRIPTIVE MATTER SET OUT HEREON ARE CONFIDENTIAL AND COPYRIGHT PROPERTY OF THE HARWIN GROUP AND MUST NOT BE DISCLOSED, LOANED, COPIED OR USED FOR MANUFACTURING, TENDERING OR FOR ANY OTHER PURPOSE WITHOUT THEIR WRITTEN PERMISSION.

TOLERANCES
 X. = ±1mm
 X.X = ±0.25mm
 X.XX = ±0.10mm
 X.XXX = ±0.01mm
 ANGLES = ±5°
 UNLESS STATED

MATERIAL:
 SEE ABOVE
FINISH: SEE ABOVE
S/AREA: mm²

TITLE: JACKSCREW DATAMATE
 3-ROW MALE HORIZONTAL
 PC-TAIL ASSEMBLY
DRAWING NUMBER:
M83-LML3M7NXX-0000-000

SHT
 2 OF 2