

- ▶ RoHS Compliant(2011/65/EU)
- ▶ MSL: 1
- ▶ Lead Finish: Au
- ▶ AEC-Q200 Qualified
- ▶ TS16949 certified production
- ▶ PPAP supported

ECX-34Q

SMD TUNING FORK CRYSTAL

Applications:

- ▶ Automotive
- ▶ COTS
- ▶ Navigation
- ▶ Medical (Non Life sustaining)
- ▶ Industrial
- ▶ Test Equipment

OPERATING CONDITIONS / ELECTRICAL CHARACTERISTICS

PARAMETERS	CONDITIONS	ECX-34Q			UNITS
		MIN	TYP	MAX	
Frequency	Fo		32.768		KHz
Frequency Tolerance @ +25°C				± 20	ppm
Load Capacitance	Specify in P/N		12.5		pF
Drive Level	DL		0.1	0.5	μW
Equivalent Series Resistance	R1			80K	Ω
Turnover Temperature		+20	+25	+30	°C
Temperature Coefficient		-0.028	-0.034	-0.040	ppm/°C ²
Shunt Capacitance	Co		1.1		pF
Motional Capacitance	C1		3.5		fF
First Year Aging	+25°C ±3°C			± 3	ppm
Operating Temperature	S Option	-40		+125	°C
Storage Temperature		-55		+125	°C

TOP, BOTTOM, SIDE VIEWS & LAND PATTERN

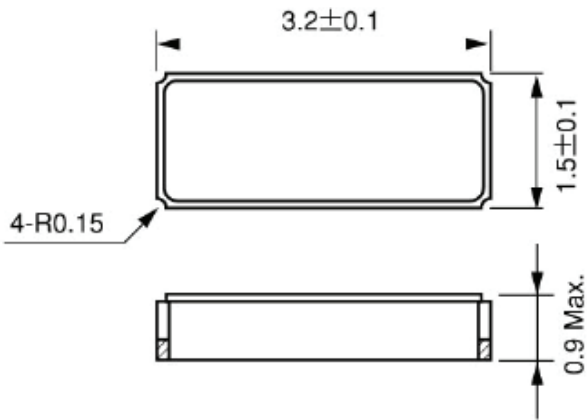


Figure 1) Top and Side View

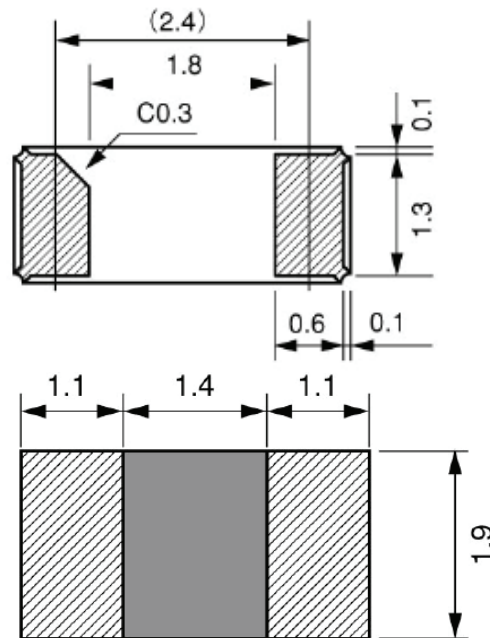


Figure 2) Bottom View and Suggested Land

PART NUMBERING GUIDE: Example ECS-.327-12.5-34QS-TR

ECS - Frequency Abbreviation - Load Capacitance - Package Type - Tolerance - Operating Temp Range - Packaging

.327 = 32.768 KHz	12.5 = 12.5 pF 9 = 9 pF 7 = 7 pF 6 = 6 pF	-34Q = ECX-34Q	Blank = ±20 ppm C = ±10 ppm	N = -40 ~ +85°C S = -40 ~ +125°C	-TR = Tape & Reel 3K/Reel
-------------------	--	-------------------	--------------------------------	-------------------------------------	------------------------------