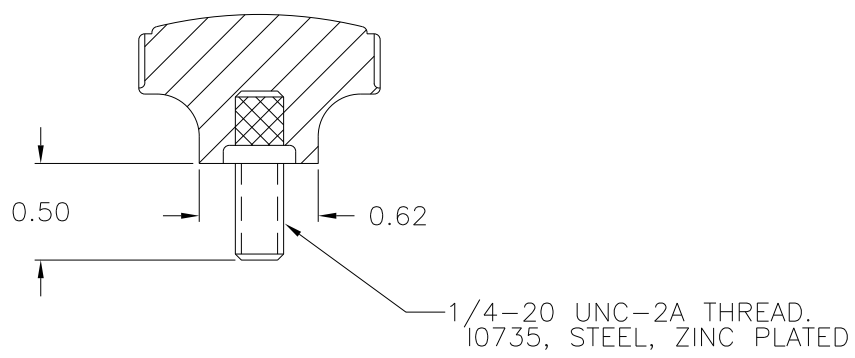
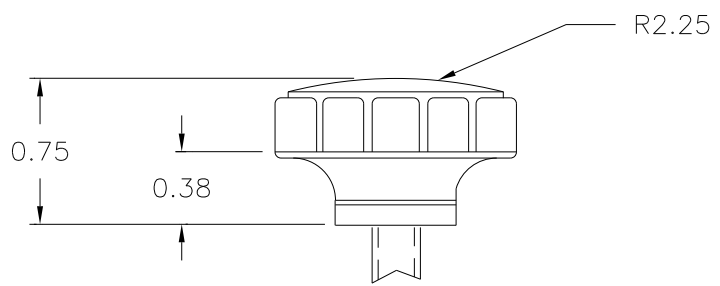
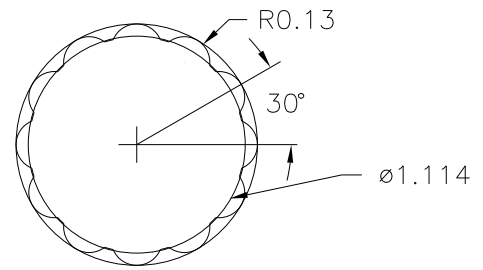


PART NAME: KNOB      SCALE: 1:1      DATE: 4/11/73      DR. BY NH

THIS DRAWING IS THE PROPERTY OF DAVIES MOLDING COMPANY, IS SUBMITTED SOLELY AS A DESIGN OR ENGINEERING PROJECT. WE ACCEPT NO RESPONSIBILITY WHATSOEVER FOR THE PRACTICAL APPLICATION OF THE PIECES MADE TO THIS DESIGN.



P/N	3008FM
M <sup>NO.</sup>	3008
CAVITY	3008
PLUNGER	3008
OUTER PIN	3008-28
INNER PIN	NONE
SHIMS	3008-A+B
INSERT	I0735



NOTE : TUBE (T0100) MUST BE INSTALLED ON ALL MOLDED PARTS

MATERIAL: G.P. PHENOLIC (B11)  
COLOR: BLACK

TOLERANCES: UNLESS OTHERWISE SPECIFIED	DO NOT SCALE DRAWING			
DECIMALS: X.XXX ± .005 X.XX ± .015	MM: X.XX ± 0.15MM X.X ± 0.4MM	A	ADDED INNER & OUTER PINS, CORRECTED TOOLING BOX	TS 10/16/02
		-	CAD/REDRAWN	HD 8/14/97
FRACTIONS ± 1/64	ANG. ± 1°	CHANGES		